

# Large Dome Series



## Available Models

Model	Power Requirement	Output	Connector	External Control	Dimension	Weight(g)
GLC-DPI235-AD	350mA	SMP-03V*2	A/D		9	1030
GLC-DPI235-IO	AC100V~AC240V	SMP-03V*2	I/O		10	1030
GLC-DPI235-RS232	350mA	SMP-03V*2	RS232		11	1030
GLC-DPI250-AD	500mA	SMP-03V*2	A/D		9	1030
GLC-DPI250-IO	AC100V~AC240V	SMP-03V*2	I/O		10	1030
GLC-DPI250-RS232	500mA	SMP-03V*2	RS232		11	1030
GLC-DPI270-A/D	700mA	SMP-03V*2	A/D		9	1030
GLC-DPI270-IO	AC100V~AC240V	700mA	SMP-03V*2	I/O	10	1030
GLC-DPI270-RS232	700mA	SMP-03V*2	RS232		11	1030
GLC-DPI2130-AD	1300mA	SMP-03V*2	A/D		9	1030
GLC-DPI2130-IO	AC100V~AC240V	1300mA	SMP-03V*2	I/O	10	1030
GLC-DPI2130-RS232	1300mA	SMP-03V*2	RS232		11	1030
GLC-DPI435-AD	350mA	SMP-03V*4	A/D		12	1540
GLC-DPI435-IO	AC100V~AC240V	350mA	SMP-03V*4	I/O	13	1540
GLC-DPI435-RS232	350mA	SMP-03V*4	RS232		14	1540
GLC-DPI450-AD	500mA	SMP-03V*4	A/D		12	1540
GLC-DPI450-IO	AC100V~AC240V	500mA	SMP-03V*4	I/O	13	1540
GLC-DPI450-RS232	500mA	SMP-03V*4	RS232		14	1540
GLC-DPI470-A/D	700mA	SMP-03V*4	A/D		12	1540
GLC-DPI470-IO	AC100V~AC240V	700mA	SMP-03V*4	I/O	13	1540
GLC-DPI470-RS232	700mA	SMP-03V*4	RS232		14	1540
GLC-DPI4130-AD	1300mA	SMP-03V*4	A/D		12	1540
GLC-DPI4130-IO	AC100V~AC240V	1300mA	SMP-03V*4	I/O	13	1540
GLC-DPI4130-RS232	1300mA	SMP-03V*4	RS232		14	1540



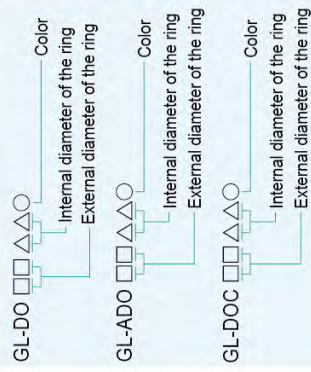
## Features

1. Large dome type allow perfect illumination for large evenly area
2. Provide shadowless illumine in applications with fast check
3. Allow to have combination with horizontal ring light(FDR series) to achieve zero shadowless  
\*ADO series are the combination of DO series and FDR series

## Major applications

1. Inspection of the print on the bottom of aluminum cans
2. Curved metal surfaces and similar surfaces
3. Surface inspection, surface printing inspection
4. Any metal surface inspection, ex. Stainless surface scratch inspection

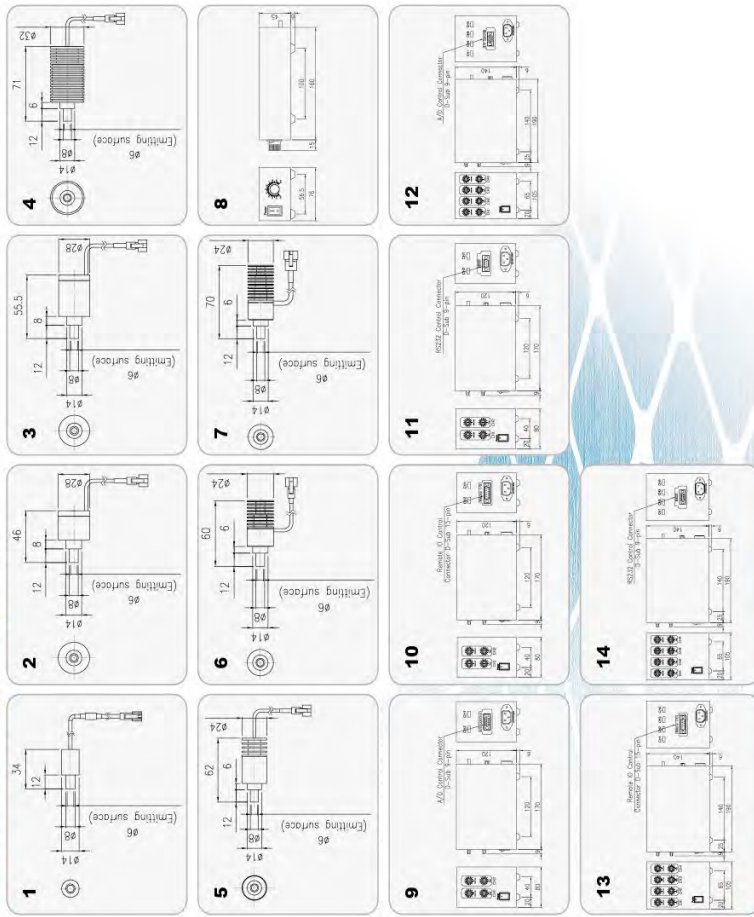
## Model explanation



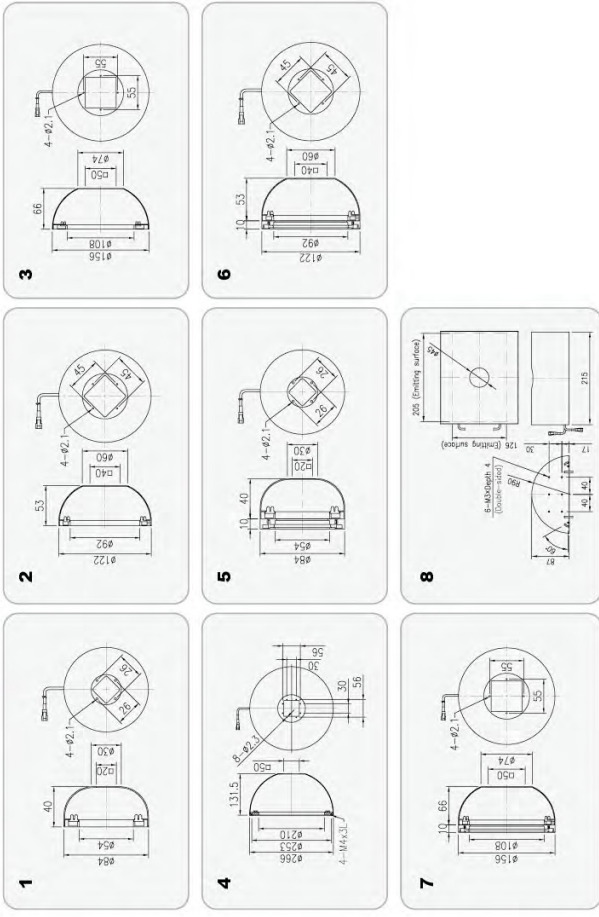
## Available Models

Model	Color	Power Consumption	Weight (g)	Dimension
GL-DO8454R	●	12V/3.9W		
GL-DO8454W/B/G	○	12V/5.8W		
GL-DO8454IR	●	12V/3.9W		
GL-DO8454R-24	●	24V/3.9W		
GL-DO8454W/B/G-24	○	24V/5.8W		
GL-DO8454IR-24	●	24V/3.9W		
GL-DO2-8454R	●	24V/2.64W		
GL-DO2-8454W/B/G	○	24V/4.56W		
GL-DO12292R	●	12V/6.3W		
GL-DO12292W/B/G	○	12V/9.4W		
GL-DO12292IR	●	12V/6.3W		
GL-DO12292R-24	●	24V/6.3W		
GL-DO12292W/B/G-24	○	24V/9.4W		
GL-DO12292IR-24	●	24V/6.3W		
GL-DO2-12292R	●	24V/4.6W		
GL-DO2-12292W/B/G	○	24V/8.92W		
GL-DO156108R	●	12V/7.2W		
GL-DO156108W/B/G	○	12V/10.8W		
GL-DO156108IR	●	12V/7.2W		
GL-DO156108R-24	●	24V/7.2W		
GL-DO156108W/B/G-24	○	24V/10.56W		
GL-DO156108IR-24	●	24V/7.2W		
GL-DO2-156108R	●	24V/5.28W		
GL-DO2-156108W/B/G	○	24V/11.04W		
GL-DO266210R	●	12V/18.3W		
GL-DO266210W/B/G	○	12V/27.4W		
GL-DO266210IR	●	12V/18.3W		
GL-DO266210R-24	●	24V/18.24W		
GL-DO266210W/B/G-24	○	24V/27.36W		
GL-DO266210IR-24	●	24V/18.24W		

## Dimensional Diagrams(mm)



## Dimensional Diagrams(mm)



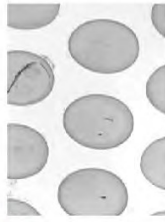
Model	Color	Power Consumption	Weight (g)	Dimension
GL-ADO156108R	●	12V/11.1W		
GL-ADO156108W/B/G	○	12V/16.6W		
GL-ADO156108R	○	12V/11.1W	450	7
GL-ADO156108R-24	●	24V/11.04W		
GL-ADO156108W/B/G-24C	●	24V/16.32W		
GL-ADO156108R-24	●	24V/11.04W		
GL-DOC215180R	●	12V/11.6W		
GL-DOC215180W/B/G	○	12V/17.3W	935	8
GL-DOC215180R	●	12V/11.6W		

Model	Color	Power Consumption	Weight (g)	Dimension
GL-ADO8454R	●	12V/5.8W		
GL-ADO8454W/B/G	○	12V/8.7W		
GL-ADO8454R	○	12V/5.8W	157	5
GL-ADO8454R-24	●	24V/5.76W		
GL-ADO8454W/B/G-24	○	24V/8.64W		
GL-ADO8454R-24	●	24V/5.76W		
GL-ADO12292R	●	12V/9.2W		
GL-ADO12292W/B/G	○	12V/13.7W		
GL-ADO12292R	○	12V/9.2W	265	6
GL-ADO12292R-24	●	24V/9.12W		
GL-ADO12292W/B/G-24C	●	24V/13.44W		
GL-ADO12292R-24	●	24V/9.12W		

## Imaging examples



**GL-DO156108R**  
Cross Screw



**GL-DO156108R**  
Medicine Pill Package



**GL-DO156108W**  
Iron Powder Surface



**GL-DO156108W**  
Aluminum cans

## Luminous intensity distribution characteristics

