

HD1166R-6W

Image Size: $\frac{2}{3}$ $\frac{1}{2}$ $\frac{1}{3}$

[SPECIFICATIONS]

Focal Length : 11 - 66mm
 Maximum Relative Aperture : 1:1.8 (Tele End 1:1.8)
 Iris : F1.8 - Close
 Zoom Ratio : 6X
 Angular Field of View : 43.3 X 33.0 deg. at 11mm
 7.7 X 5.8 deg. at 66mm
 Image Format : 8.8 X 6.6mm (D11mm)
 Minimum Object Distance : 1.4m (From Front Vertex)
 Object Dimensions at M.O.D. : 111.1 X 82.9cm at 11mm
 18.8 X 14.2cm at 66mm
 Optical Back Focal Distance : 15.28mm (In Air)

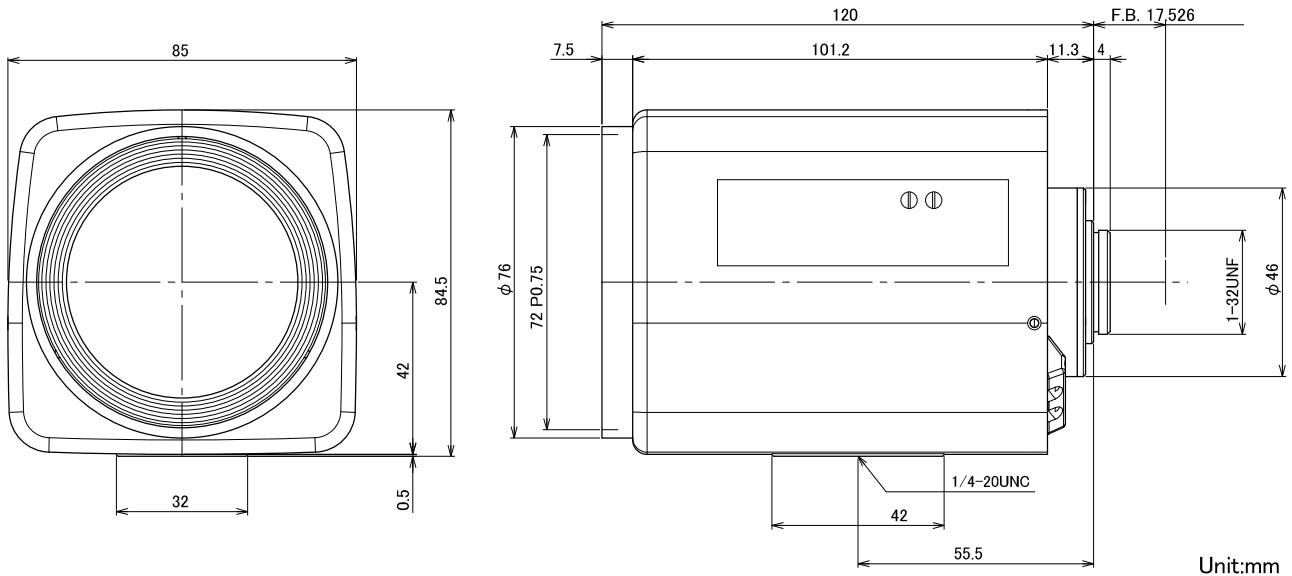
Flange Back : 17.526mm
 Operation : Zoom : Motorized(DC+/-6.4V, Max40mA)
 Focus : Motorized(DC+/-6.4V, Max40mA)
 Iris : Motorized(DC+/-6.4V, Max40mA)
 Operation Temperature : -10 to +50°C
 Mount : C-Mount (Adjustable Lens Position)
 Front Thread : 72mm P0.75
 Size, Weight : 84.5X85X120mm, Approx. 700g

[COMPOSITION]

Lens1
 Lens Cap1
 Dust Cap1

4-Conductor Connector(Female)1
 (Any 4-conductor cable of external dia 6mm to be prepared separately.)

[DIMENSIONS]



[CIRCUIT DIAGRAM]

