

HEZ8585RAI

[SPECIFICATIONS]

Image Size: $\frac{1}{2}$ $\frac{1}{3}$ $\frac{1}{4}$

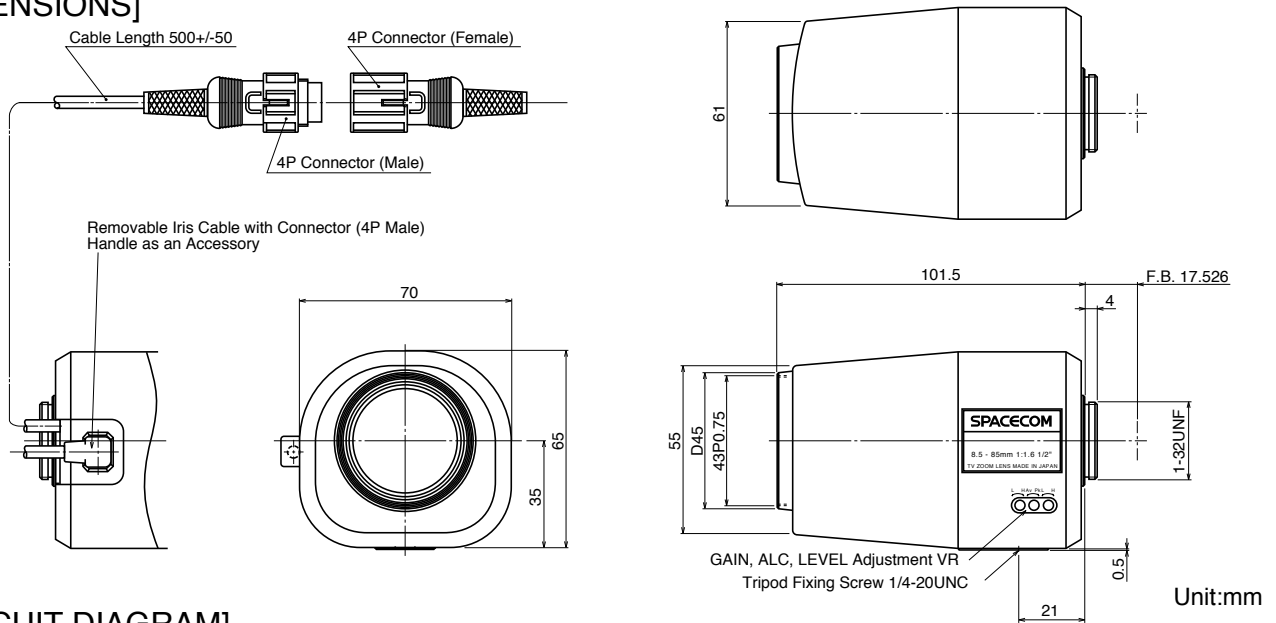
Focal Length :	8.5 - 85mm	Photometry Range :	Approx. 40% - 70% Variable to Vp-p
Maximum Relative Aperture :	1:1.6	Input Impedance :	High Impedance
Iris :	F1.6 - Approx. 360 (With ND Spot Filter)	Operation : Zoom :	Motorized(DC+/-6.4V, Max40mA) Speed Approx. 6.5sec.
Zoom Ratio :	10X	Focus :	Motorized(DC+/-6.4V, Max40mA) Speed Approx. 6.5sec.
Sensitivity Adjustment :	0.5 - 1.0Vp-p(Image Signal)	Iris :	EE (DC+8.5 to 16V : Fixed Voltage, Max50mA) Speed Within 4sec.(Auto Close System)
Angular Field of View :	41.3 X31.5 deg. at 8.5mm 4.3 X 3.2 deg. at 85mm	EE Mechanism :	The built-in EE Amp amplifies the difference between the video signal from the camera and the Iris signal level.
Image Format :	6.4X4.8mm(D8mm)	EE Accuracy :	With Input Video Signal 0.7Vp-p Within+/-10% of Mean Value
Minimum Object Distance :	1.2m(From Front Vertex)	Operation Temperature :	-10 to +50
Object Dimensions at M.O.D. :	86.5X64.9cm at 8.5mm 8.6X 6.5cm at 85mm	Mount :	C-Mount(Adjustable Lens Position)
Optical Back Focal Distance :	15.56mm(In Air)	Front Thread :	43mm P0.75
Flange Back :	17.526mm	Size, Weight :	70X65X101.5mm, Approx. 275g
Input Signal :	Composite Video Signal or Video Signal		

[COMPOSITION]

Lens1
Lens Cap1
Dust Cap1
VR Adjust Tool1

4-Conductor Connector(Female)1
(Any 4-conductor cable of external dia 6mm to be prepared separately.)

[DIMENSIONS]



[CIRCUIT DIAGRAM]

