

# HF12DC

Image Size:  $\frac{1}{2}$   $\frac{1}{3}$   $\frac{1}{4}$

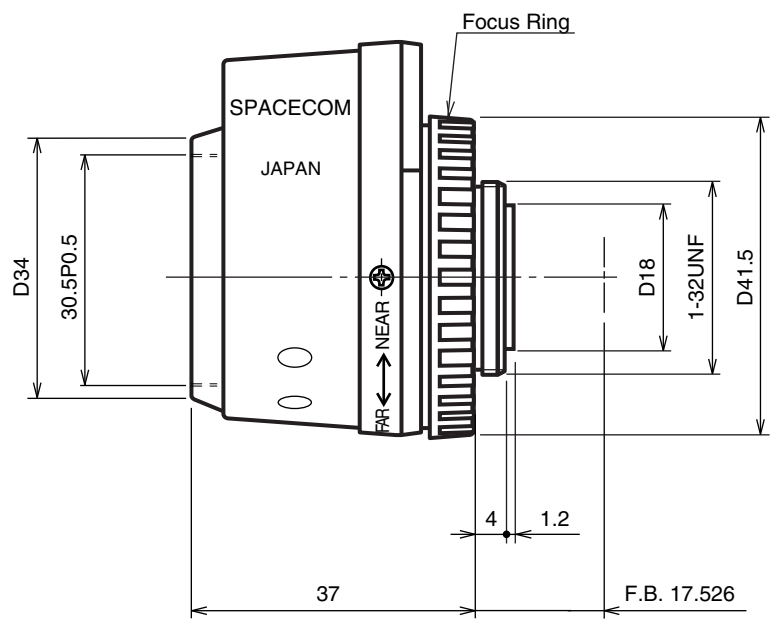
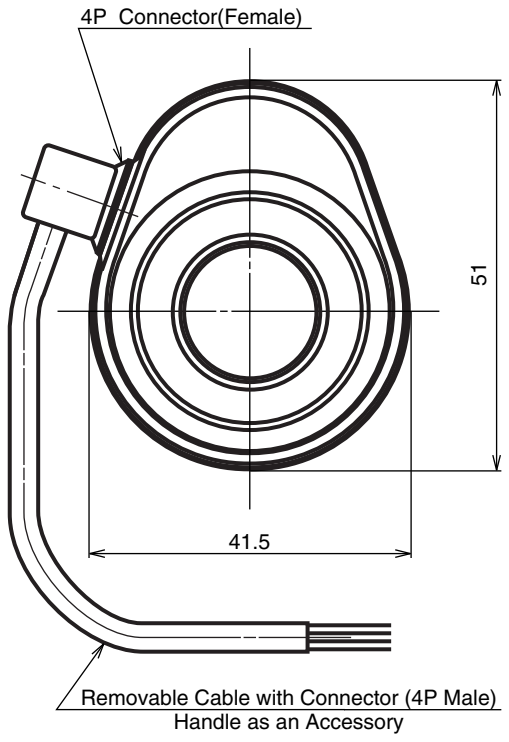
## [SPECIFICATIONS]

Focal Length :	12mm	Flange Back :	17.526mm
Maximum Relative Aperture :	1:1.4	Operation Voltage :	Close to Open : Less than 3V Open to Close : More than 0.5V
Iris :	F1.4 - Approx. 360 (With ND Spot Filter)	Operation :	Focus : Manual Iris : IG(Auto Close System)
Angular Field of View :	29.9 X22.6 deg.	Operation Temperature :	-10 to +50
Image Format :	6.4X4.8mm(D8mm)	Mount :	C-Mount(Adjustable Lens Position)
Minimum Object Distance :	0.3m(From Front Vertex)	Front Thread :	30.5mm P0.5
Object Dimensions at M.O.D. :	17.1X13.1cm	Size, Weight :	51X41.5X37mm, Approx. 55g
Optical Back Focal Distance :	13.87mm(In Air)		

## [COMPOSITION]

- Lens .....1
- Lens Cap .....1
- Dust Cap .....1

## [DIMENSIONS]



Unit:mm

## [CIRCUIT DIAGRAM]

