

# HZ848M mold

**【SPECIFICATIONS】 F1.0 Manual Zoom Lens**

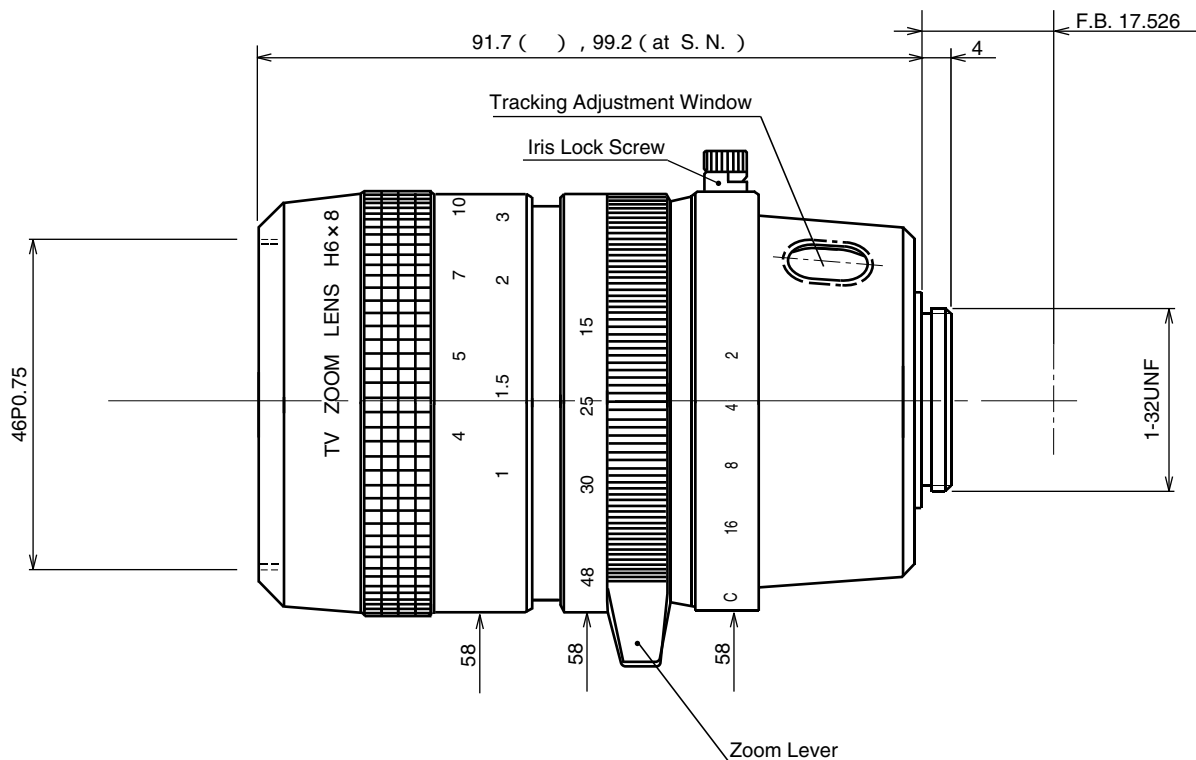
Image Size :  $\frac{1}{2}$   $\frac{1}{3}$   $\frac{1}{4}$

Focal Length :	8 ~ 48mm	Optical Back Focal Distance :	14.56mm(In Air)
Maximum Relative Aperture :	1:1.0	Flange Back :	17.526mm
Iris :	F1.0 ~ Close	Operation :	Focus : Manual Zoom : Manual Iris : Manual
Zoom Ratio :	6X	Operating Temperature :	-10 ~ +50
Angle of View :	43.6 x 33.4 deg. at 8mm 7.7 x 5.7 deg. at 48mm	Mount :	C-Mount
Image Size :	6.4 x 4.8mm ( 8mm )	Filter Size :	46mm P0.75
Minimum Object Distance :	1.0m ( From Front Vertex ) Close-up photography as far as Object Distance 0.3m is possible by S.N.(Service Near)function of Focus. (Partial eclipse may occur during zooming in the S.N. range with using 1/2" camera.)	Size :	58 x 91.7mm
		Weight :	Approx 380 g

**【COMPOSITION】**

- Lens . . . . . 1
- Lens Cap . . . . . 1
- Dust Cap . . . . . 1

**【DIMENSIONS】**



Unit:mm