

JHF12M-5MP

Image Size: $\frac{2}{3}$ $\frac{1}{2}$ $\frac{1}{3}$

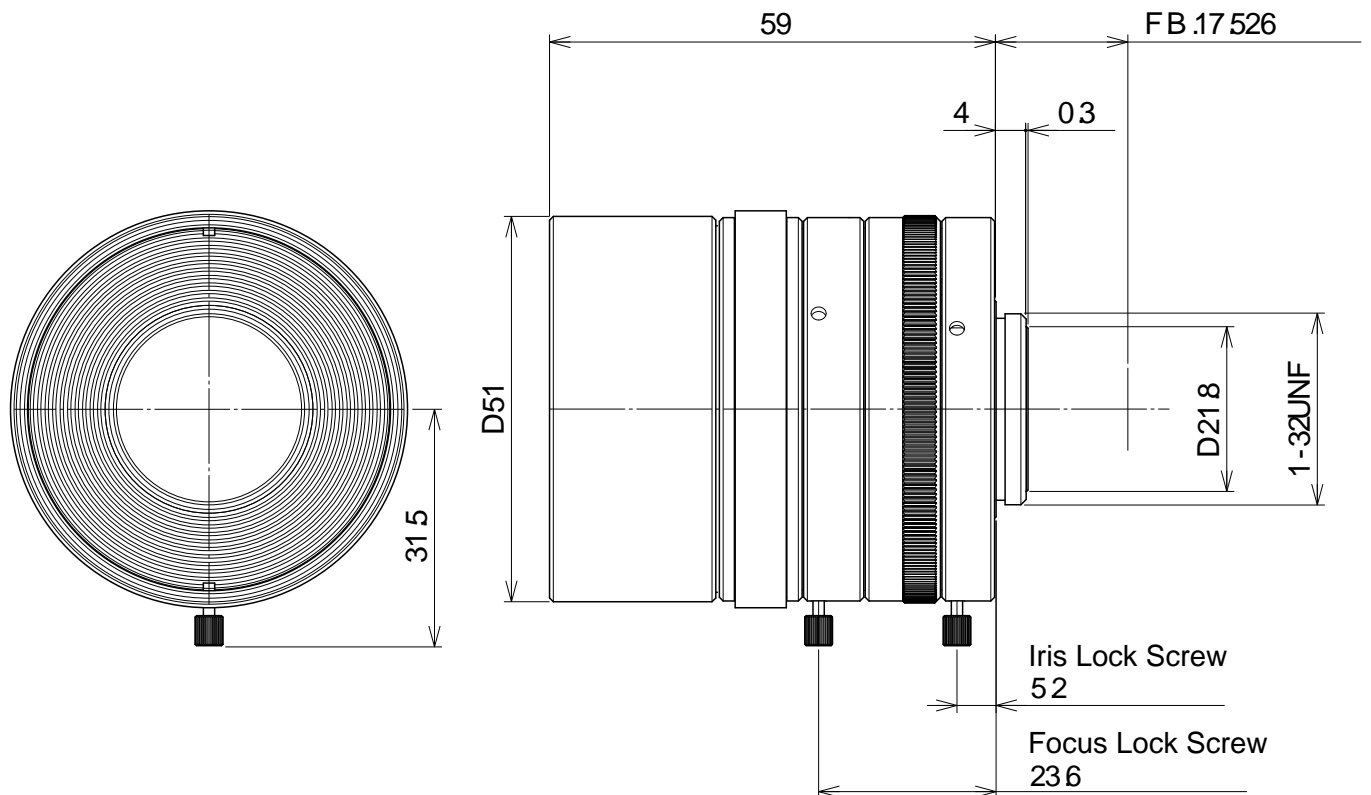
[SPECIFICATIONS]

Focal Length :	12 mm	Optical Back Focal Distance :	14.00 mm (In Air)
Maximum Relative Aperture :	1:1.8	Flange Back :	17.526 mm
Iris :	F1.8 - 22	Operation :	Focus : Manual Iris : Manual
Angular Field of View :	40.3 X 30.8 deg.	Operation Temperature :	-10 to +50 °C
Image Format :	8.8 X 6.6 mm (D11mm)	Mount :	C-Mount
Minimum Object Distance :	0.15 m (From Front Vertex)	Front Thread :	49mm P0.75
Distortion :	-0.37 % (∞) -0.98 % (0.15 m)	Size, Weight :	D51 X 48 mm, Approx. 200g

[COMPOSITION]

- Lens1
- Lens Cap1
- Dust Cap1

[DIMENSIONS]



Unit:mm