

# JZ10100RAI

Image Size:  $\frac{2}{3}$   $\frac{1}{2}$   $\frac{1}{3}$   $\frac{1}{4}$

## [SPECIFICATIONS]

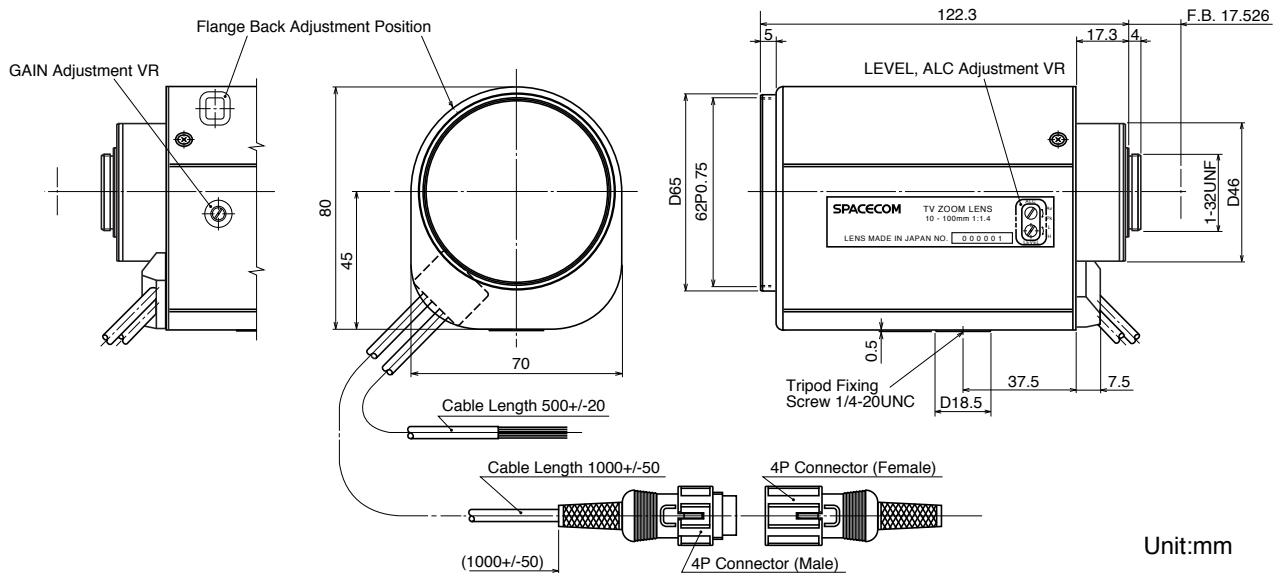
Focal Length :	10 - 100mm	Photometry Range :	Approx. 40% - 70% Variable to Vp-p
Maximum Relative Aperture :	1:1.4	Input Impedance :	High Impedance
Iris :	F1.4 - Approx. 1200 (With ND Spot Filter)	Operation : Zoom :	Motorized(DC+/-6.4V, Max40mA) Speed Approx. 6sec.
Zoom Ratio :	10X	Focus :	Motorized(DC+/-6.4V, Max40mA) Speed Approx. 7sec.
Sensitivity Adjustment :	0.5 - 1.0Vp-p(Image Signal)	Iris :	EE (DC+8.5 to 16V : Fixed Voltage, Max60mA) Speed Within 3.5sec.
Angular Field of View :	47.5 X36.5 deg. at 10mm 5.0 X 3.8 deg. at 100mm	EE Mechanism :	The built-in EE Amp amplifies the difference between the video signal from the camera and the preset Iris signal level. It causes the Iris to change size.
Image Format :	8.8X6.6mm(D11mm)	EE Accuracy :	With Input Video Signal 0.7Vp-p Within+/-15% of Mean Value
Minimum Object Distance :	1.2m(From Front Vertex)	Operation Temperature :	-10 to +50
Object Dimensions at M.O.D. :	105.6X79.1cm at 10mm 10.6X 8.0cm at 100mm	Mount :	C-Mount(Adjustable Lens Position)
Optical Back Focal Distance :	14.69mm(In Air)	Front Thread :	62mm P0.75
Flange Back :	17.526mm	Size, Weight :	80X70X122.3mm, Approx. 700g
Input Signal :	Composite Video Signal or Video Signal		

## [COMPOSITION]

Lens .....1  
 Lens Cap .....1  
 Dust Cap .....1

4-Conductor Connector (Female) .....1  
 (Any 4-conductor cable of external dia 6mm to be prepared separately.)

## [DIMENSIONS]



## [CIRCUIT DIAGRAM]

