

JZ1169M

[SPECIFICATIONS] 2/3" Manual Zoom Lens

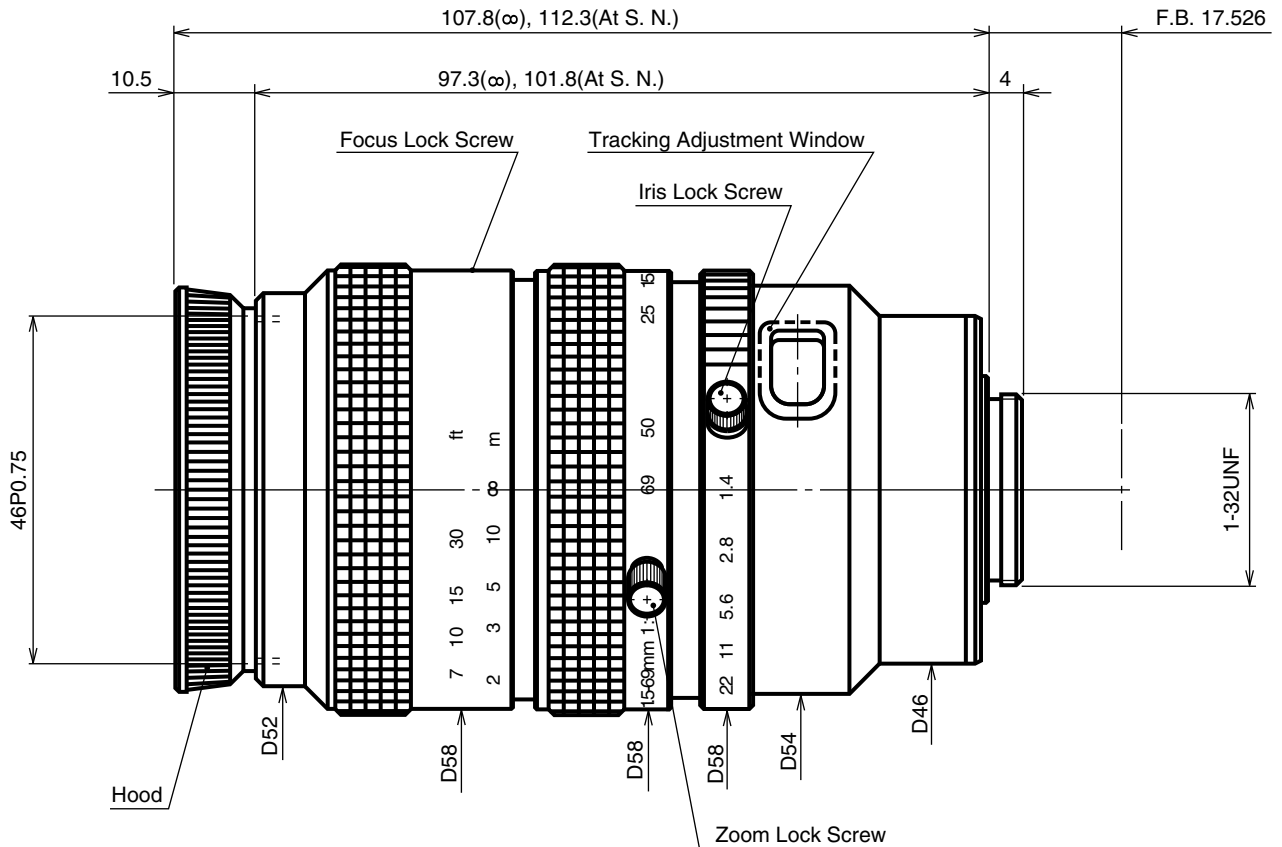
Image Size: $\frac{2}{3}$ $\frac{1}{2}$ $\frac{1}{3}$ $\frac{1}{4}$

Focal Length :	11.5 - 69mm	Optical Back Focal Distance :	17.93mm(In Air)
Maximum Relative Aperture :	1:1.4	Flange Back :	17.526mm
Iris :	F1.4 - Close	Operation :	Zoom : Manual Focus : Manual Iris : Manual
Zoom Ratio :	6X	Operation Temperature :	-10 to +50
Angular Field of View :	41.9 X32.0 deg. at 11.5mm 7.3 X 5.5 deg. at 69mm	Mount :	C-Mount(Adjustable Lens Position)
Image Format :	8.8X6.6mm(D11mm)	Front Thread :	46mm P0.75
Minimum Object Distance :	1.0m(From Front Vertex) At S.N. (Service Near): 0.5m Partial eclipsing may occur when zooming in the S.N. range. (No eclipsing occurs when using the S6X11-II on a 1/2" camera.)	Size, Weight :	D58X107.8mm, Approx. 410g
Object Dimensions at M.O.D :	72.8X54.6 at 11.5mm (36.4X27.3 at S.N) 12.8X9.6 at 69mm (6.4X4.8 at S.N)		

[COMPOSITION]

- Lens1
- Lens Cap1
- Dust Cap1

[DIMENSIONS]



Unit:mm