

TZ6539RAI

[SPECIFICATIONS]

Image Size : (1/3) (1/4)

Focal Length : 6.5 ~ 39mm
 Maximum Relative Aperture : 1:1.0
 Iris : F1.0 ~ Approx.1200
 (With ND Spot Filter)
 Zoom Ratio : 6X
 Angle of View : 40.5 x 30.9 deg. at 6.5mm
 7.0 x 5.3 deg. at 39mm
 Image Size : 4.8 x 3.6mm (6mm)
 Minimum Object Distance : 1.0m (From Front Vertex)
 Optical Back Focal Distance : 11.76mm (In Air)
 Flange Back : 12.5mm
 Input Signal : Composite Video Signal , Video Signal
 Sensitivity Adjustment : 0.5 ~ 1.0Vp-p(Image Signal)
 Photometry Range : Approx.40 ~ 70% Variable to Vp-p

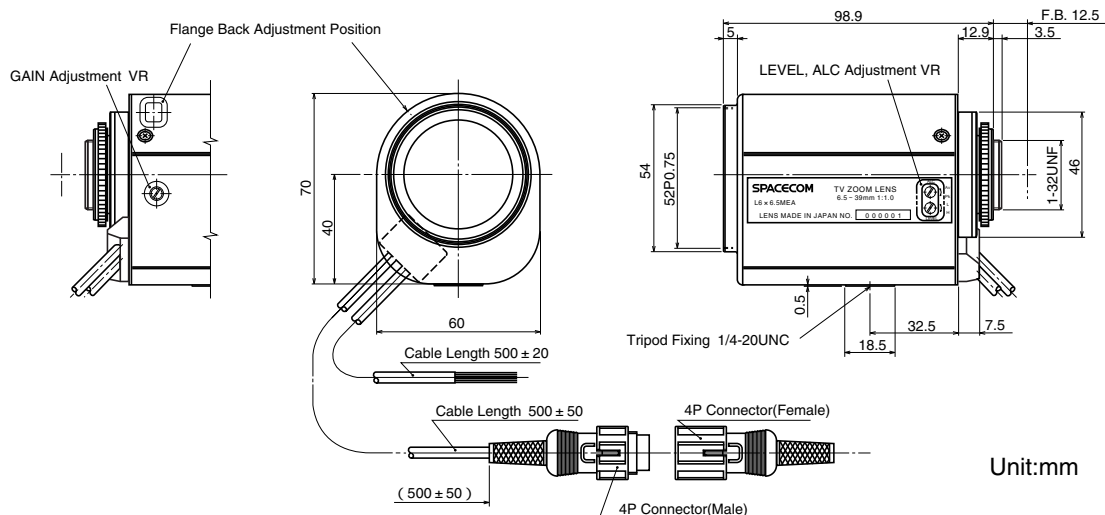
Input Impedance : High Impedance
 Operation : Zoom : Motorized(DC ± 6.4V , Max40mA)
 Speed Approx.6sec.
 Focus : Motorized(DC ± 6.4V , Max40mA)
 Speed Approx.7sec.
 Iris : EE(DC+8.5 to 16V : Fixed Voltage, Max60mA)
 EE Mechanism : The built-in EE Amp amplifies the difference between the video signal from the camera and the preset Iris signal level. It causes the Iris to change size.
 Operating Temperature : -10 ~ +50
 Mount : CS-Mount(Adjustable Lens Position)
 Filter Size : 52mm P0.75
 Size : 70 x 60 x 98.9mm
 Weight : Approx.500 g

[COMPOSITION]

Lens 1
 Lens Cap 1
 Dust Cap 1

4-Conductor Connector(Female) 1
 (Any 4-conductor cable of external dia 6mm to be prepared separately.)

[DIMENSIONS]



[CIRCUIT DIAGRAM]

