

# VHF16MK

**【SPECIFICATIONS】** 3.1Megapixel-Lens

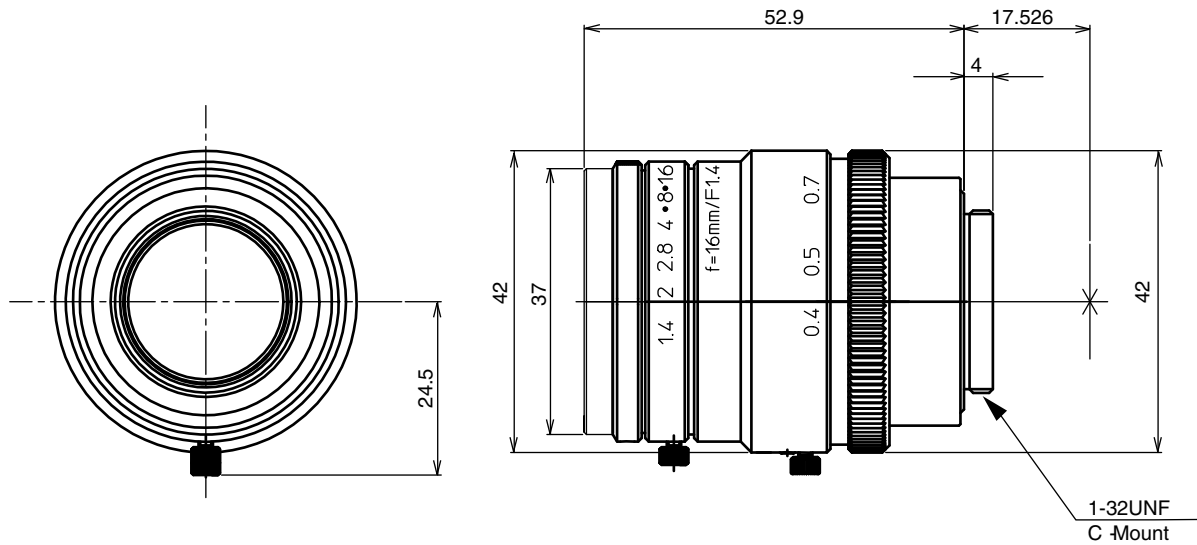
Image Size : (1)

Focal Length :	16mm	Optical Back Focal Distance :	12.6mm ( In Air )
Maximum Relative Aperture :	1:1.4	Flange Back :	17.526mm
Iris :	F1.4 ~ 16	Operation :	Focus : Manual Iris : Manual
Angle of View :	44.3 × 33.6 deg	Operating Temperature :	-10 ~ +50
Image Size :	12.8 × 9.6mm ( 16mm )	Mount :	C-Mount
Minimum Object Distance :	0.3mm ( From Front Vertex )	Filter Size :	35.5mm P0.5
Resolution :	5 μ m ( at center ) 8 μ m ( at corner )	Size :	42 × 52.9mm
Distorsion :	-1.0%	Weight :	Approx. 140g

**【COMPOSITION】**

- Lens . . . . . 1
- Lens Cap . . . . . 1
- Dust Cap . . . . . 1

**【DIMENSIONS】**



Unit:mm