

# TF2.3M

[SPECIFICATIONS]

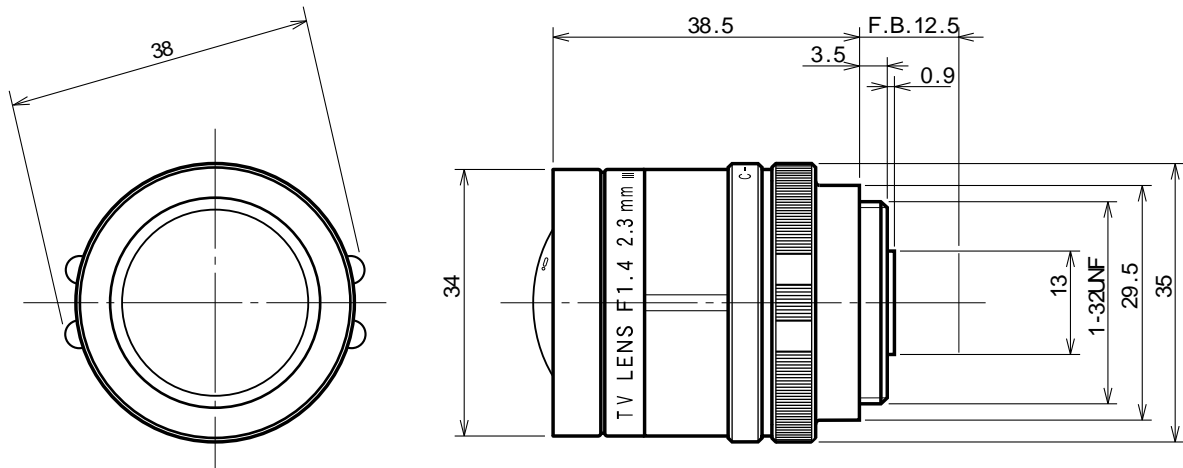
Image Size:  $\frac{1}{3}$   $\frac{1}{4}$

Focal Length :	2.3 mm	Flange Back :	12.5 mm
Maximum Relative Aperture :	1:1.4	Operation :	Focus : Manual Iris : Manual
Iris :	F1.4 - Close	Operation Temperature :	-10 to +45
Angular Field of View :	116.1X 87.4 deg.	Mount :	CS-Mount
Image Format :	4.8 x 3.6 mm(D6mm)	Front Thread :	-
Minimum Object Distance :	0.2 m(From Front Vertex)	Size, Weight :	34 X 38.5 mm, Approx. 66 g
Object Dimensions at M.O.D. :	66.5 X 39.8 cm		
Optical Back Focal Distance :	8.3 mm(In Air)		

[COMPOSITION]

- Lens .....1
- Lens Cap .....1
- Dust Cap .....1

[DIMENSIONS]



Unit:mm