

TF4M

Image Size: $\frac{1}{3}$ $\frac{1}{4}$

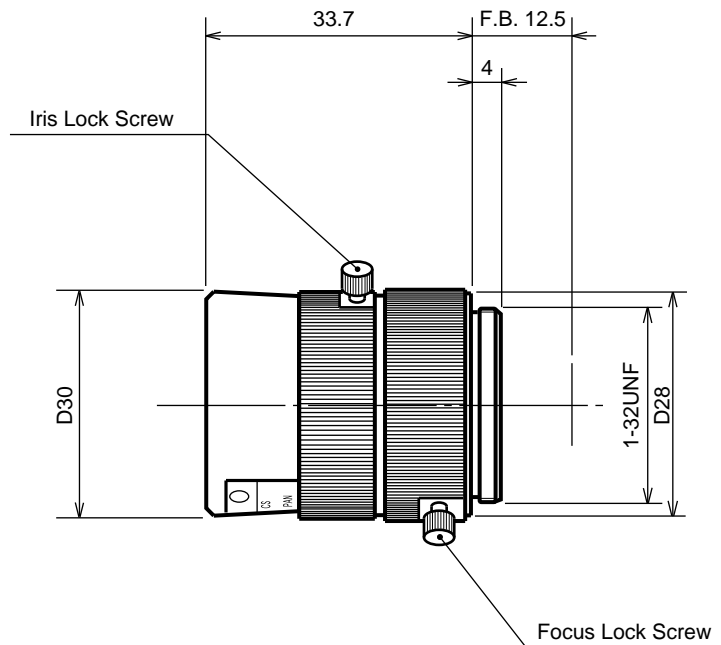
[SPECIFICATIONS]

Focal Length :	4mm	Flange Back :	12.5mm
Maximum Relative Aperture :	1:1.2	Operation :	Focus : Manual Iris : Manual
Iris :	F1.2 - Close	Operation Temperature :	-10 to +50
Angular Field of View :	70.7 X53.4 deg.	Mount :	CS-Mount
Image Format :	4.8X3.6mm(D6mm)	Size, Weight :	D30X33.7mm, Approx. 35g
Minimum Object Distance :	0.1m(From Front Vertex)		
Object Dimensions at M.O.D. :	15.4X11.2cm		
Optical Back Focal Distance :	9.0mm(In Air)		

[COMPOSITION]

- Lens1
- Lens Cap1
- Dust Cap1

[DIMENSIONS]



Unit:mm