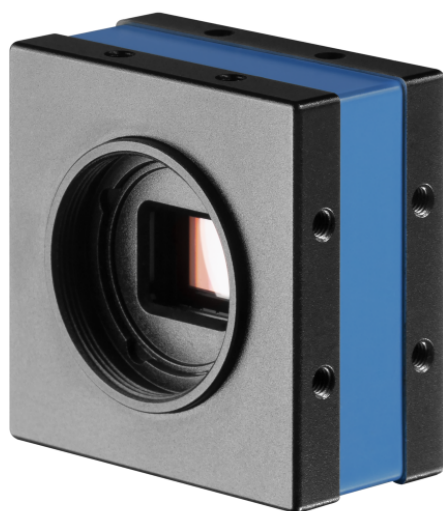




Technical Details



DFK 37BUX265 Technical Reference Manual



| | |
|--|-----------|
| 1. Quick Facts | 4 |
| 2. Dimensional Diagrams | 6 |
| 2.1 DFK 37BUX265 C-Mount with Tripod Adapter | 6 |
| 2.2 DFK 37BUX265 C-Mount without Tripod Adapter | 7 |
| 2.3 DFK 37BUX265 CS-Mount with Tripod Adapter | 8 |
| 2.4 DFK 37BUX265 CS-Mount without Tripod Adapter | 9 |
| 3. I/O Connector | 10 |
| 3.1 4-pin I/O Connector | 10 |
| 3.1.1 TRIGGER_IN | 10 |
| 3.1.2 STROBE_OUT | 10 |
| 4. Spectral Characteristics | 12 |
| 4.1 IR-Cut Filter | 12 |
| 4.2 Spectral Sensitivity - IMX265LQR-C | 12 |
| 5. Camera Controls | 13 |
| 5.1 Sensor Readout Control | 13 |
| 5.1.1 Pixel Format | 13 |
| 5.1.1.1 8-Bit Bayer Raw | 13 |
| 5.1.1.2 16-Bit Bayer Raw | 14 |
| 5.1.2 Resolution | 14 |
| 5.1.3 Readout Modes | 15 |
| 5.1.4 Frame Rate | 16 |
| 5.1.5 Partial Scan Offset | 17 |
| 5.1.6 Image Flipping | 18 |
| 5.2 Image Sensor Control | 18 |
| 5.2.1 Exposure Time | 18 |
| 5.2.2 Gain | 19 |
| 5.2.3 Black Level | 19 |
| 5.3 Automatic Exposure and Gain Control | 19 |
| 5.3.1 Auto Exposure | 20 |
| 5.3.2 Auto Gain | 20 |
| 5.3.3 Auto Reference Value | 20 |
| 5.3.4 Highlight Reduction | 21 |
| 5.3.5 Auto Exposure Limits | 21 |
| 5.3.6 Auto Gain Limits | 22 |
| 5.4 Trigger | 23 |
| 5.4.1 Trigger Mode | 23 |
| 5.4.2 Trigger Polarity | 23 |
| 5.4.3 Software Trigger | 24 |



Table of Contents

| | | |
|------------|--|-----------|
| 5.4.4 | Trigger Overlap | 24 |
| 5.4.5 | IMX Low-Latency Mode | 24 |
| 5.5 | Trigger Timing Parameters | 25 |
| 5.5.1 | Trigger Delay | 25 |
| 5.6 | Digital I/O | 25 |
| 5.6.1 | General Purpose Input | 25 |
| 5.6.2 | General Purpose Output | 26 |
| 5.7 | Strobe | 26 |
| 5.7.1 | Strobe Enable | 26 |
| 5.7.2 | Strobe Polarity | 27 |
| 5.7.3 | Strobe Operation | 27 |
| 5.7.4 | Strobe Duration | 28 |
| 5.7.5 | Strobe Delay | 28 |
| 5.8 | White Balance | 28 |
| 5.8.1 | Auto White Balance | 28 |
| 5.8.2 | White Balance Mode | 29 |
| 5.8.3 | Manual White Balance | 30 |
| 5.9 | Region of Interest for Auto Functions | 32 |
| 5.9.1 | Auto Functions ROI Enable | 32 |
| 5.9.2 | Auto Functions ROI Preset | 32 |
| 6. | Revision History | 34 |



1 Quick Facts

| General | |
|-------------------------------|---------------------------------------|
| Vision Standard | USB3 Vision |
| Dynamic Range | 12 bit |
| Resolution | 2048x1536 |
| Frame Rate at Full Resolution | 60 |
| Pixel Formats | 8-Bit Bayer (RG) 16-Bit Bayer (RG) |

| Optical Interface | |
|--------------------------|--------------------|
| IR-Cut filter | Yes |
| Sensor Type | Sony IMX265LQR-C |
| Shutter Type | Global |
| Sensor Format | 1/1.8 inch |
| Pixel Size | 3.45 μm |
| Lens Mount | C/CS |

| Electrical Interface | |
|-----------------------------|--|
| Interface | USB 3.1gen1 |
| Supply voltage | 4.75 VDC to 5.25 VDC |
| Current consumption | approx 360 mA @ 5 VDC |
| I/O Connector | 4-pin connector for trigger and strobe or general purpose input/output |

| Mechanical Data | |
|------------------------|------------------------------|
| Dimensions | H: 42 mm, W: 42 mm, L: 25 mm |
| Mass | 76 g |

| Adjustments | |
|--------------------|-------------------------|
| Shutter | 25 μs to 4 s |
| Gain | 0 dB to 48 dB |

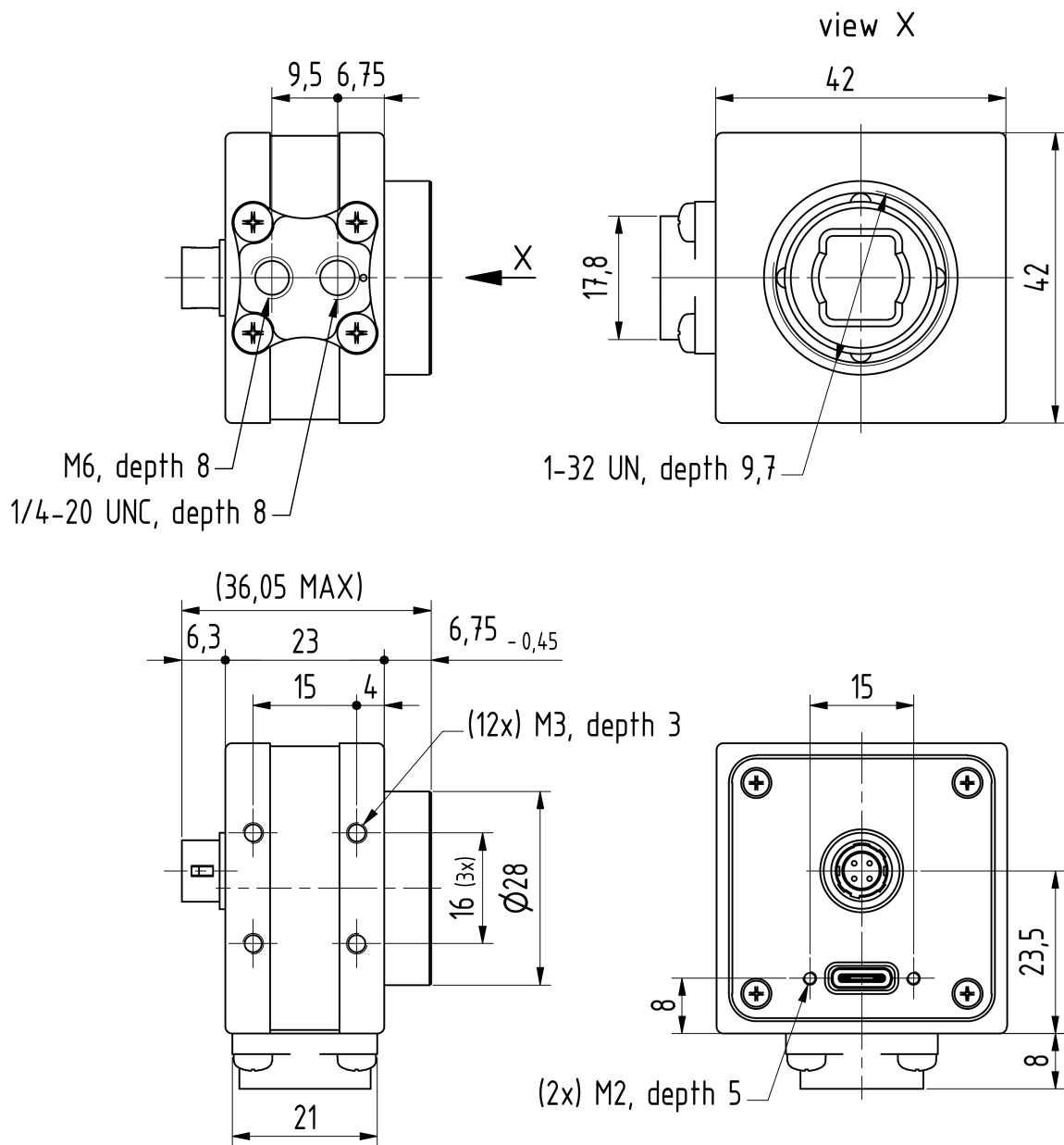


| Environmental | |
|-------------------------|-------------------------------|
| Temperature (operating) | -5 °C to 45 °C |
| Temperature (storage) | -20 °C to 60 °C |
| Humidity (operating) | 20 % to 80 % (non-condensing) |
| Humidity (storage) | 20 % to 95 % (non-condensing) |

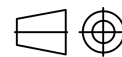


2 Dimensional Diagrams

2.1 DFK 37BUX265 C-Mount with Tripod Adapter



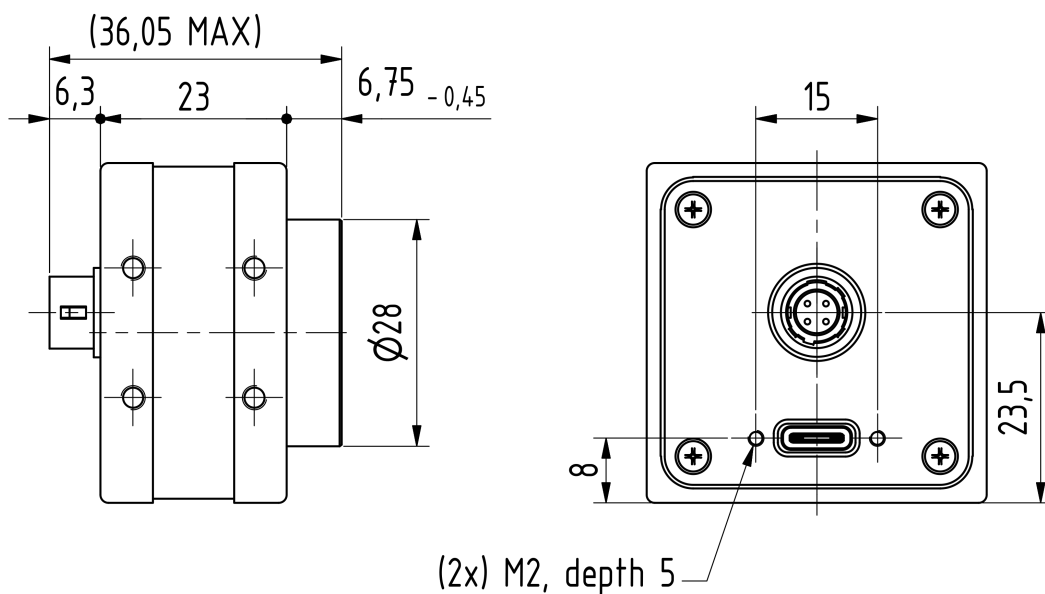
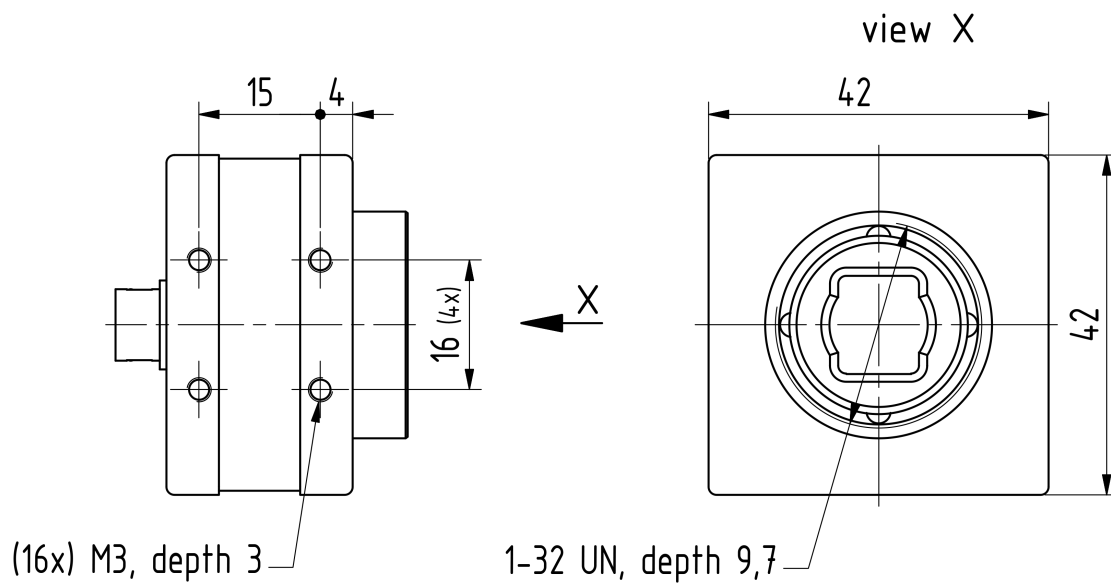
Dimensions: mm
Tolerances: DIN ISO 2768-f





Dimensional Diagrams

2.2 DFK 37BUX265 C-Mount without Tripod Adapter

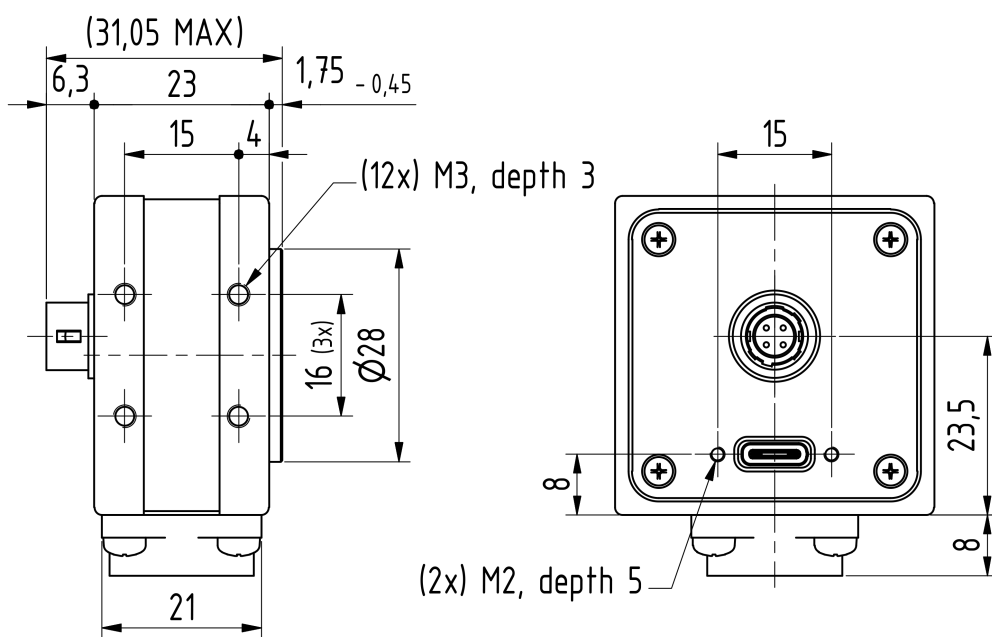
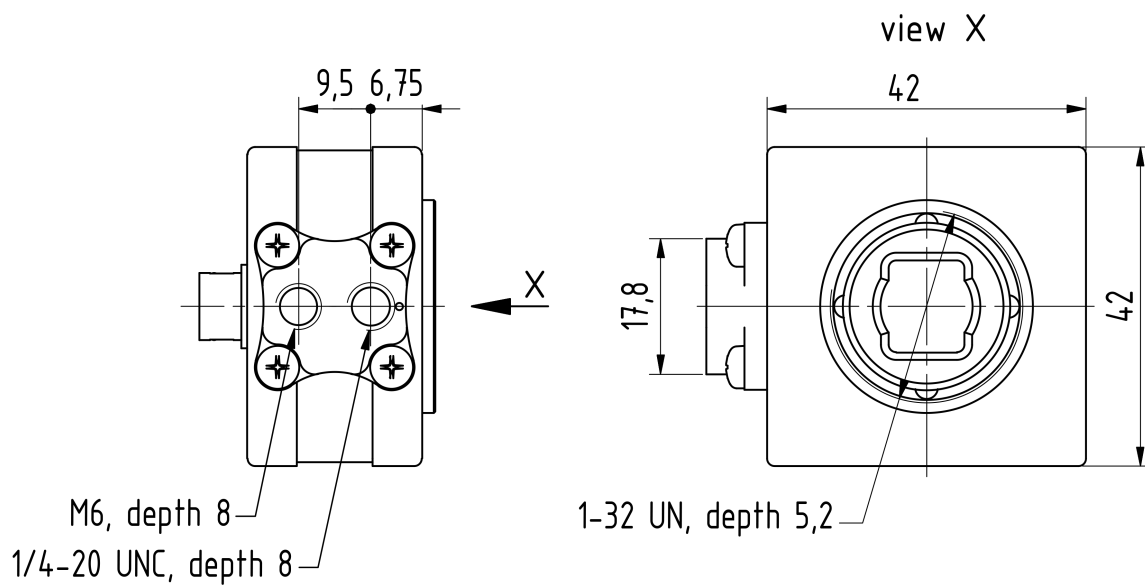


Dimensions: mm
Tolerances: DIN ISO 2768-f

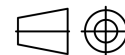




2.3 DFK 37BUX265 CS-Mount with Tripod Adapter

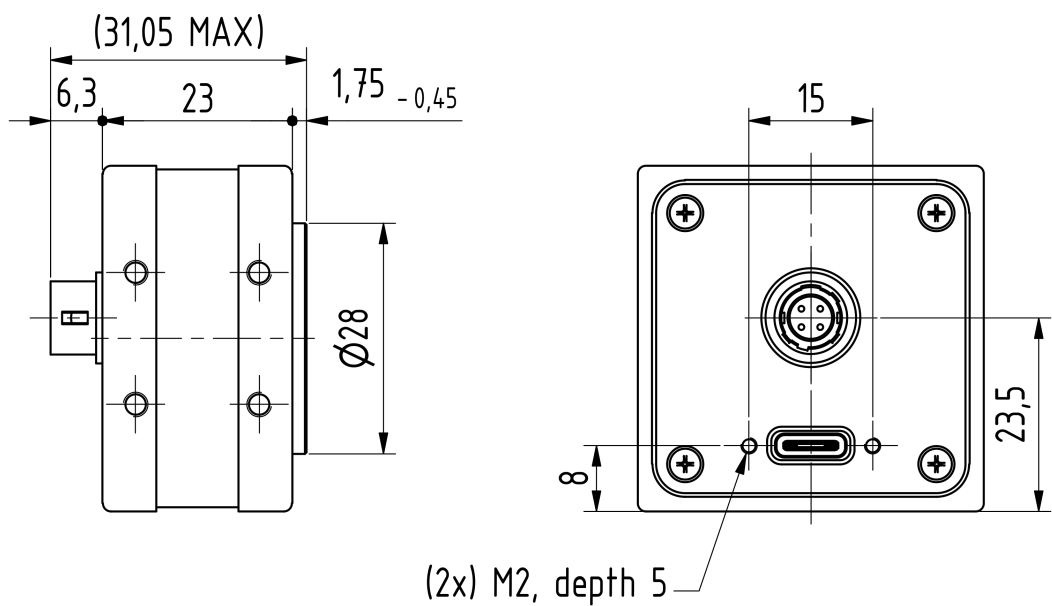
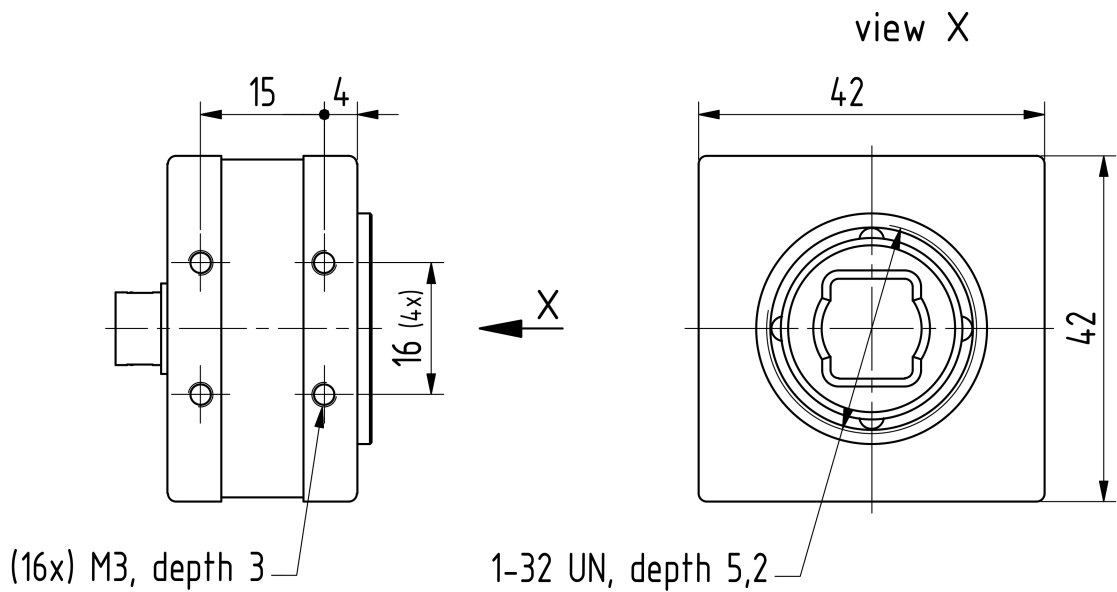


Dimensions: mm
Tolerances: DIN ISO 2768-f

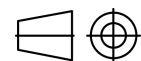




2.4 DFK 37BUX265 CS-Mount without Tripod Adapter



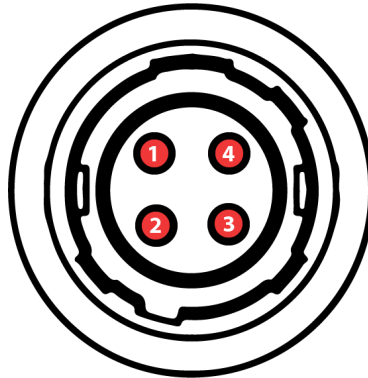
Dimensions: mm
Tolerances: DIN ISO 2768-f





3 I/O Connector

3.1 4-pin I/O Connector



Rear view of camera

| Pin | Signal | I/O | Remarks | Characteristics | | | |
|-----|----------------|----------------|--------------------|------------------|-----|-------------------|------|
| | | | | Min | Typ | Max | Unit |
| 1 | GND_I/O | G ³ | External Ground | - | - | - | - |
| 2 | STROBE_OUT | O ³ | Open drain | - | - | 24.0 ¹ | V |
| 3 | TRIGGER_IN (-) | I ³ | Optocoupler ground | - | - | - | - |
| 4 | TRIGGER_IN (+) | I ³ | Optocoupler signal | 3.3 ² | - | 24.0 ² | V |

¹ max. 0.2A (ID) for open drain MOSFET!

² min. 3.5 mA driver strength required!

³ G: Ground O: Output I: Input

The part number of this Hirose connector is HR10A-7R-4P. To create an I/O cable you need a Hirose connector HR10A-7P-4S.

3.1.1 TRIGGER_IN

The *TRIGGER_IN* line can be used to synchronize the start of the exposure time with external events. The [Trigger](#) section describes in detail how the image sensor's behavior can be controlled.

The current input signal can also be read directly through the [General Purpose Input](#) feature.

3.1.2 STROBE_OUT

The *STROBE_OUT* line's main usage is to indicate the integration time of the image sensor which allows flashes, strobos or other light sources to be synchronized with camera operation. The line's behavior can be controlled through the [Strobe](#) controls.

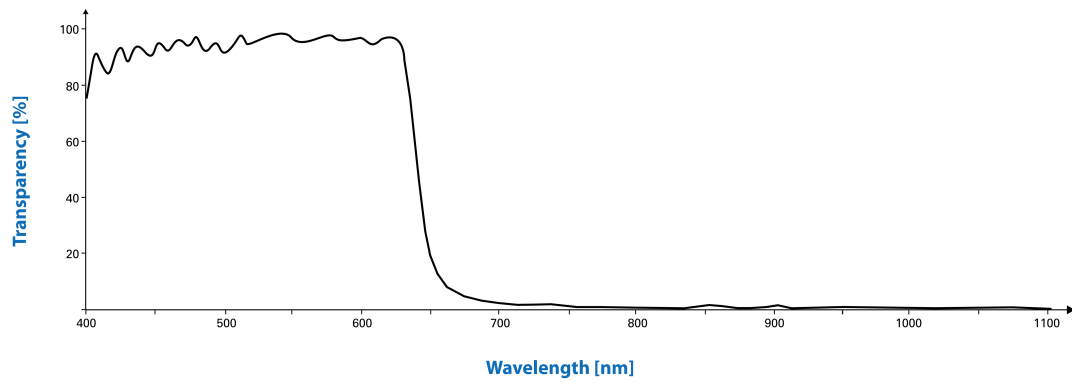


The output signal can also be directly controlled through the [General Purpose Output](#) feature.



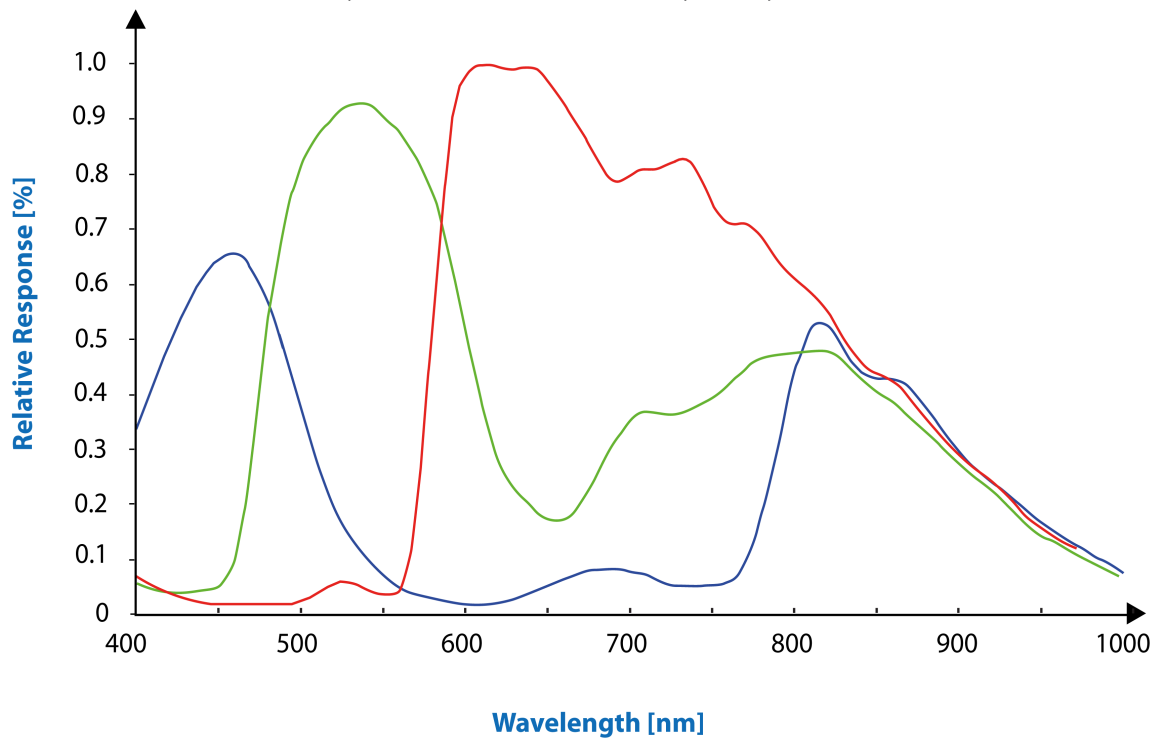
4 Spectral Characteristics

4.1 IR-Cut Filter



4.2 Spectral Sensitivity - IMX265LQR-C

Sensor: Sony IMX250/252/264/265 - courtesy of Sony Deutschland GmbH





5 Camera Controls

This section describes the parameters available for the DFK 37BUX265 camera.

The actual name of the parameter depends on the driver technology used to access the camera. Parameter names are listed for the most common ways to access the cameras:

- *USB3 Vision* (cross platform, via 3rd party driver)
- UVC/V4L2 (on Linux, via `uvcvideo`)
- *IC Imaging Control* (on Windows, via *Device Driver for The Imaging Source USB 33U, 37U and 38U Cameras*)

5.1 Sensor Readout Control

5.1.1 Pixel Format

The pixel format defines the data type of the pixels transmitted to the computer. The bits per pixel needed for a particular pixel format influence the required bandwidth.

The driver technology used to access the camera significantly impacts the way the pixel format is controlled:

- When using *USB3 Vision*, the pixel format is controlled through the `PixelFormatGenICam` feature.
- When using the `uvcvideo` driver on Linux, the pixel format is defined by `video4linux2`.
- When using *IC Imaging Control*, the pixel format is part of the video format - a parameter which combines pixel format, resolution and readout mode. For more information, refer to the *IC Imaging Control* documentation sections on `VideoFormat` and `VideoFormatDesc`.

The DFK 37BUX265 color camera supports multiple pixel formats with variable bits-per-pixel settings. The names of the pixel formats and the way to select them depends on the driver used to control the camera. The following table contains a short overview of all possible formats followed by a more detailed description.

| Pixel Format | Bits Per Pixel | USB3 Vision | UVC | TIS UVC Driver |
|-------------------|----------------|-------------|------|----------------|
| 8-Bit Bayer (RG) | 8 | BayerRG8 | RGGB | RGB32, Y800 |
| 16-Bit Bayer (RG) | 16 | BayerRG16 | RG16 | RGB64, Y16 |

5.1.1.1 8-Bit Bayer Raw

This format transmits data using one byte for each pixel.

USB3 Vision drivers see this pixel format as one of the 8-bit bayer raw formats (`BayerGR8`, `BayerRG8`, `BayerGB8`, `BayerBG8`).

UVC drivers see it with the *FourCC* `GRBG`, `RGGB`, `GBRG` or `BA81`.



The *Device Driver for The Imaging Source USB 33U, 37U and 38U Cameras* simplifies this variety of possible pixel formats and offers two video formats instead: `RGB32` and `Y800`. The `RGB32` format results from the driver's automatic debayering of the raw image data, while the `Y800` format contains the raw data which is reinterpreted as monochrome.

5.1.1.2 16-Bit Bayer Raw

This format transmits data using 2 bytes for each pixel.

The sensor of the DFK 37BUX265 camera is not able to provide 16-bit data output. The pixel data is transmitted in the most significant bits. This allows application programs to ignore the sensor-specific data type and to treat the data as if the sensor outputs 16 bits.

USB3 Vision drivers see this pixel format as one of the 16-bit packed bayer raw formats (`BayerGR16`, `BayerRG16`, `BayerGB16`, `BayerBG16`).

UVC drivers see it with the *FourCC* `GR16`, `RG16`, `GB16` or `BA16`.

The *Device Driver for The Imaging Source USB 33U, 37U and 38U Cameras* simplifies this variety of possible pixel formats and offers two video formats instead: `RGB64` and `Y16`. The `RGB64` format results from the driver's automatic debayering the raw image data, while the `Y16` format contains the raw data which is reinterpreted as monochrome.

5.1.2 Resolution

The DFK 37BUX265 allows the user to specify which rectangular region of the image sensor to read out during camera operation. The size of this rectangle determines the number of pixels that have to be transferred for each frame and has a significant influence on the required USB bandwidth.

Lowering the resolution also often allows the image sensor to operate at a higher frame rate. Changes in the vertical resolution have more effect on the maximum frame rate than changes in the horizontal direction.

The way the resolution is controlled varies greatly between the driver technology used to access the camera:

- When using *USB3 Vision*, the resolution is controlled through the GenICam features `Width` and `Height`.
- When using the `uvccv` on Linux, the resolution is selected from a list of fixed formats. Dynamic frame sizes are not available.
- When using *IC Imaging Control*, the resolution is part of the video format, a parameter that combines pixel format, resolution and readout mode. For more information, refer to the *IC Imaging Control* documentation sections on `VideoFormat` and `VideoFormatDesc`.



| Parameter | Horizontal Resolution |
|----------------------|-----------------------|
| Minimum | 256 |
| Maximum | 2048 |
| USB3 Vision: GenICam | Width |

| Parameter | Vertical Resolution |
|----------------------|---------------------|
| Minimum | 4 |
| Maximum | 1536 |
| USB3 Vision: GenICam | Height |

5.1.3 Readout Modes

The DFK 37BUX265 camera offers different sensor readout modes.

By default, the camera outputs all pixels of the image sensor.

In *skipping* modes, the image sensor regularly skips a number of rows and/or columns during readout. The resulting output image is smaller but contains the same field of view than the image produced by default readout mode.

In *binning* modes, a number of neighboring pixels is merged into one output pixel during readout. The nature of this merge operation is sensor-specific, most sensors either add the pixel values or average them.

Generally, binning modes provide better image quality than skipping modes. However, skipping modes usually provide a higher maximum frame rate.

The way the readout modes are controlled depends greatly upon which driver technology is used to access the camera:

- When using *USB3 Vision*, the readout mode is controlled through the *GenICam* features `DecimationHorizontal`, `DecimationVertical`, `BinningHorizontal` and `BinningVertical`.
- Selecting readout modes is currently not supported through UVC in Linux.
- When using *IC Imaging Control*, the readout mode is part of the video format - a parameter that which combines pixel format, resolution and readout mode. For more information, refer to the *IC Imaging Control* documentation sections on `VideoFormat` and `VideoFormatDesc`.

The following readout modes are supported:

- Default
- Skipping 2X
- Skipping 2X vertical
- Skipping 2X horizontal



5.1.4 Frame Rate

The frame rate is specified in frames per second and determines the camera's operating speed.

The way the frame rate is controlled depends greatly upon which driver technology is used to access the camera:

- When using *USB3 Vision*, the frame rate is controlled through the *GenICam* feature `AcquisitionFrameRate`.
- When using *uvcdm* on Linux, the frame rate is selected from a list of available frame rates.
- When using *IC Imaging Control*, the frame rate is selected from a list of available frame rates through APIs such as `Grabber::setFPS` or `ICImagingControl.DeviceFrameRate`.

The range of available frame rates depends upon other camera settings such as well, pixel format, resolution and readout modes.

| Parameter | Frame Rate |
|----------------------|---|
| Minimum | Depending on Pixel Format, Resolution, and Readout Mode |
| Maximum | Depending on Pixel Format, Resolution, and Readout Mode |
| USB3 Vision: GenICam | <code>AcquisitionFrameRate</code> |

The following tables show the maximum frame rate for some combinations of pixel format and resolution.

8-Bit Bayer Raw

| Width | Height | Maximum Frame Rate |
|-------|--------|--------------------|
| 2048 | 1536 | 60 |
| 1920 | 1080 | 90 |
| 640 | 480 | 370 |

16-Bit Bayer Raw

| Width | Height | Maximum Frame Rate |
|-------|--------|--------------------|
| 2048 | 1536 | 60 |
| 1920 | 1080 | 90 |
| 640 | 480 | 370 |



5.1.5 Partial Scan Offset

If the selected resolution is smaller than the sensor size, the part of the sensor that is actually read out can be specified by the *Partial Scan Offset X* and *Partial Scan Offset Y* parameters. By default, the camera automatically positions the offsets so that the center of the sensor is used.

| Parameter | Partial Scan Offset X |
|----------------------|---|
| Minimum | 0 |
| Maximum | 1792 |
| USB3 Vision: GenICam | OffsetX |
| Video4Linux2 | ROI Offset X |
| VCD Property | VCDID_PartialScanOffset \VCDElement_PartialScanOffsetX |

| Parameter | Partial Scan Offset Y |
|----------------------|---|
| Minimum | 0 |
| Maximum | 1532 |
| USB3 Vision: GenICam | OffsetY |
| Video4Linux2 | ROI Offset Y |
| VCD Property | VCDID_PartialScanOffset \VCDElement_PartialScanOffsetY |

If *Partial Scan Offset X* or *Partial Scan Offset Y* is configured to a value that would be invalid with the current setting of [Resolution](#) setting, the camera uses the maximum possible value.

| Parameter | Partial Scan Auto Center |
|----------------------|---|
| On | Automatically configure Partial Scan Offset X/Y so that the center area of the sensor is read out |
| True | |
| Off | Control Partial Scan Offset X/Y manually |
| False | |
| USB3 Vision: GenICam | OffsetAutoCenter |
| Video4Linux2 | ROI Auto Center |
| VCD Property | VCDID_PartialScanOffset \VCDElement_PartialScanAutoCenter |



5.1.6 Image Flipping

The DFK 37BUX265 camera allows flipping of the image data horizontally, vertically, or both. The *Flip Horizontal* and *Flip Vertical* parameters can be used to control this sensor feature.

| Parameter | Flip Horizontal |
|----------------------|--|
| True | Image data is flipped horizontally |
| False | Image data is not flipped horizontally |
| USB3 Vision: GenICam | ReverseX |
| Video4Linux2 | Flip Horizontal |
| VCD Property | VCDID_FlipHorizontal\VCDElement_Value |

| Parameter | Flip Vertical |
|----------------------|--------------------------------------|
| True | Image data is flipped vertically |
| False | Image data is not flipped vertically |
| USB3 Vision: GenICam | ReverseY |
| Video4Linux2 | Flip Vertical |
| VCD Property | VCDID_FlipVertical\VCDElement_Value |

5.2 Image Sensor Control

5.2.1 Exposure Time

The *Exposure Time* parameter defines the time the camera opens its (electronic) shutter when it is taking an image.

| Parameter | Exposure Time |
|----------------------|---------------------------------|
| Minimum | 25 μ s |
| Maximum | 4 s |
| Default | auto |
| USB3 Vision: GenICam | ExposureTime |
| Video4Linux2 | Exposure Time (us) |
| VCD Property | VCDID_Exposure\VCDElement_Value |



5.2.2 Gain

The *Gain* parameter defines the amplification that is applied to the image at sensor level.

| Parameter | Gain |
|----------------------|-----------------------------|
| Minimum | 0 dB |
| Maximum | 48 dB |
| Default | auto |
| USB3 Vision: GenICam | Gain |
| Video4Linux2 | Gain (db/100) |
| VCD Property | VCDID_Gain\VCDElement_Value |

5.2.3 Black Level

The *Black Level* parameter defines the lowest possible intensity value of the image sensor.

| Parameter | Black Level |
|----------------------|-----------------------------------|
| Minimum | 0 |
| Maximum | 4095 |
| Default | 240 |
| USB3 Vision: GenICam | BlackLevel |
| Video4Linux2 | Brightness |
| VCD Property | VCDID_Brightness\VCDElement_Value |

5.3 Automatic Exposure and Gain Control

The DFK 37BUX265 camera can automatically control gain and exposure time. These automatic functions are enabled by default.

In order to optimize image parameters, a region of interest can be specified for automatic functions. Specifying a region of interest enables fine-grained control over the image area for which the image parameters are optimized. A selection of pre-defined area presets is available, but the user can also specify the coordinates of a custom rectangle.

In certain situations, it is desirable to limit the range of the auto-controlled parameters. For example, one might want to avoid high gain settings in order to keep noise levels low. Other applications require limiting the maximum exposure time so that



movements do not get blurred. Therefore, the ranges of the gain and exposure parameter can be limited.

If both auto exposure and auto gain are active, the camera tries to lower the gain value in order to reduce noise and improve the image quality.

5.3.1 Auto Exposure

| Parameter | Auto Exposure |
|----------------------|--------------------------------|
| Continuous | Enable Auto Exposure |
| True | |
| Off | Disable Auto Exposure |
| False | |
| USB3 Vision: GenICam | ExposureAuto |
| Video4Linux2 | Auto Shutter |
| VCD Property | VCDID_Exposure\VCDElement_Auto |

5.3.2 Auto Gain

| Parameter | Auto Gain |
|----------------------|----------------------------|
| Continuous | Enable Auto Gain |
| True | |
| Off | Disable Auto Gain |
| False | |
| USB3 Vision: GenICam | GainAuto |
| Video4Linux2 | Auto Gain |
| VCD Property | VCDID_Gain\VCDElement_Auto |

5.3.3 Auto Reference Value

The *Auto Reference Value* parameter specifies the target brightness for both auto exposure and auto gain.



| Parameter | Auto Reference Value |
|----------------------|---|
| Minimum | 0 |
| Maximum | 255 |
| Default | 128 |
| USB3 Vision: GenICam | ExposureAutoReference |
| Video4Linux2 | ExposureAutoReference |
| VCD Property | VCDID_Exposure\VCDElement_AutoReference |

5.3.4 Highlight Reduction

Enabling *Highlight Reduction* lets the auto exposure and auto gain functions reduce overexposed areas in the output image. This feature is particularly useful when using 10/12/16-bit output images and a tone mapping algorithm in post-processing when using higher bit depths as the dark areas still contain a lot of useful information.

| Parameter | Highlight Reduction |
|----------------------|--|
| True | Try to reduce overexposed areas |
| False | Ignore overexposed areas and focus on matching the image brightness to the selected Auto Reference Value . |
| USB3 Vision: GenICam | ExposureAutoHighlightReduction |
| Video4Linux2 | Highlight Reduction |
| VCD Property | VCDID_HighlightReduction\VCDElement_Value |

5.3.5 Auto Exposure Limits

The *Auto Exposure Lower Limit* parameter determines the minimum possible value that can be set by the auto exposure algorithm.

| Parameter | Auto Exposure Lower Limit |
|----------------------|---------------------------|
| Minimum | 25 μ s |
| Maximum | 1 s |
| USB3 Vision: GenICam | ExposureAutoLowerLimit |
| Video4Linux2 | Exposure Auto Lower Limit |

The *Auto Exposure Upper Limit* parameter determines the maximum possible value that can be set by the auto exposure algorithm.



| Parameter | Auto Exposure Upper Limit |
|----------------------|--|
| Minimum | 25 μ s |
| Maximum | 1 s |
| USB3 Vision: GenICam | ExposureAutoUpperLimit |
| Video4Linux2 | Exposure Auto Upper Limit |
| VCD Property | VCDID_Exposure\VCDElement_AutoMaxValue |

If the *Auto Exposure Upper Limit Auto* parameter is enabled, the value of *Auto Exposure Upper Limit* is automatically kept at the maximum possible value for the current frame rate.

| Parameter | Auto Exposure Upper Limit Auto |
|----------------------|---|
| On | Select <i>Auto Exposure Upper Limit</i> automatically |
| Off | Let the user control <i>Auto Exposure Upper Limit</i> |
| USB3 Vision: GenICam | ExposureAutoUpperLimitAuto |
| UVC | Exposure Auto Upper Limit Auto |
| Video4Linux2 | VCDID_Exposure\VCDElement_AutoMaxValueAuto |

5.3.6 Auto Gain Limits

The *Auto Gain Lower Limit* parameter determines the minimum possible value that can be set by the auto gain algorithm.

| Parameter | Auto Gain Lower Limit |
|----------------------|-----------------------|
| Minimum | 0 dB |
| Maximum | 48 dB |
| USB3 Vision: GenICam | GainAutoLowerLimit |
| Video4Linux2 | Gain Auto Lower Limit |

The *Auto Gain Upper Limit* parameter determines the maximum possible value that can be set by the auto gain algorithm.



| Parameter | Auto Gain Upper Limit |
|----------------------|-----------------------|
| Minimum | 0 dB |
| Maximum | 48 dB |
| USB3 Vision: GenICam | GainAutoUpperLimit |
| Video4Linux2 | Gain Auto Upper Limit |

5.4 Trigger

The trigger mode can be used to take images at very specific points in time which are specified by an electrical signal connected to the [TRIGGER_IN](#) pin of the I/O connector of the camera.

5.4.1 Trigger Mode

The *Trigger Mode* parameter enables the trigger mode.

| Parameter | Trigger Mode |
|----------------------|--------------------------------|
| On | Enable Trigger Mode |
| True | |
| Off | Disable Trigger Mode |
| False | |
| USB3 Vision: GenICam | TriggerMode |
| Video4Linux2 | Trigger Mode |
| VCD Property | VCDID_Trigger\VCDElement_Value |

5.4.2 Trigger Polarity

The *Trigger Polarity* parameter controls whether a trigger event is accepted on the rising or falling edge of the signal connected to the TRIGGER_IN line.

| Parameter | Trigger Polarity |
|----------------------|---------------------------------------|
| RisingEdge | Accept rising edge as trigger signal |
| True | |
| FallingEdge | Accept falling edge as trigger signal |
| False | |
| USB3 Vision: GenICam | TriggerActivation |
| Video4Linux2 | Trigger Polarity |
| VCD Property | VCDID_Trigger\VCDElement_Polarity |



5.4.3 Software Trigger

The *Software Trigger* function can be used to simulate a trigger pulse, in turn causing one image to be exposed and delivered to the host computer.

| Parameter | Software Trigger |
|----------------------|--|
| Execute | Simulate one trigger pulse |
| USB3 Vision: GenICam | TriggerSoftware |
| Video4Linux2 | Software Trigger |
| VCD Property | VCDID_Trigger\VCDElement_SoftwareTrigger |

5.4.4 Trigger Overlap

The *Trigger Overlap* feature gives information on when a new trigger pulse is accepted in the trigger -> exposure -> readout sequence.

| Parameter | Trigger Overlap |
|----------------------|---|
| Off | The next trigger pulse is only accepted once the previous frame has been read out from the sensor |
| Readout | The next trigger pulse is accepted during readout as long as the remaining readout time is shorter than the exposure time |
| USB3 Vision: GenICam | TriggerOverlap |
| VCD Property | VCDID_Trigger\VCDElement_TriggerOverlap |

5.4.5 IMX Low-Latency Mode

The *IMX Low-Latency Mode* parameter controls whether the sensor operates in low-latency trigger mode.

| Parameter | IMX Low-Latency Mode |
|----------------------|--|
| True | Delay between trigger input and start of exposure is exactly as configured through the <i>Trigger Delay</i> feature |
| False | Delay between trigger input and start of exposure is the time configured by the <i>Trigger Delay</i> feature in addition to a random delay depending on resolution, frame rate, and timing relative to the sensor's internal state |
| USB3 Vision: GenICam | IMXLowLatencyMode |
| VCD Property | VCDID_Trigger\VCDElement_IMXLowLatencyMode |



Important: If *IMX Low-Latency Mode* is enabled, *Trigger Overlap* is not allowed and is thereby forced to `Off`.

5.5 Trigger Timing Parameters

The 37U series camera series offers several options for dealing with bad trigger signals. By using the *Debounce Time*, *Denoise Time* and *Mask Time* parameters, the camera can be configured to ignore pulses on its [TRIGGER_IN](#) line under certain conditions.

Useful values for these parameters are application-specific. They depend on the expected trigger frequency, the exposure time and assumptions about the input signal quality.

The default values for all these parameters is 0 μ s, assuming perfect signal quality.

5.5.1 Trigger Delay

The *Trigger Delay* parameter specifies a time for which the camera waits between receiving a trigger signal and starting the exposure of an image. Simulated trigger pulses generated through the *Software Trigger* function are not delayed by this parameter.

| Parameter | Trigger Delay |
|----------------------|---------------------------------------|
| Minimum | 0 s |
| Maximum | 0.1 s |
| Default | 0 s |
| USB3 Vision: GenICam | TriggerDelay |
| Video4Linux2 | Trigger Delay |
| VCD Property | VCDID_Trigger\VCDElement_TriggerDelay |

5.6 Digital I/O

The 37U series has one digital input and one digital output. The digital input can be used as a [Trigger](#) input but the current status can also be examined directly.

The digital output can be configured as a [Strobe](#) output to signal the exact moment when the image sensor is sensitive to light so that external light sources can be synchronized to its operation cycle.

5.6.1 General Purpose Input

The *General Purpose Input* parameter allows the current status of the [TRIGGER_IN](#) pin.



| Parameter | General Purpose Input |
|----------------------|--|
| True | TRIGGER_IN line status is low |
| 1 | |
| False | TRIGGER_IN line status is high |
| 0 | |
| USB3 Vision: GenICam | GPIIn |
| Video4Linux2 | GPIN |
| VCD Property | VCDID_GPIO\VCDElement_GPIORead VCDID_GPIO\VCDElement_GPIOIn |

5.6.2 General Purpose Output

The *General Purpose Output* parameter controls the status of the [STROBE_OUT](#) pin.

| Parameter | General Purpose Output |
|----------------------|--|
| True | Drive the STROBE_OUT line high |
| 1 | |
| False | Drive the STROBE_OUT line low |
| 0 | |
| USB3 Vision: GenICam | GPOut |
| Video4Linux2 | GPOUT |
| VCD Property | VCDID_GPIO\VCDElement_GPIOWrite VCDID_GPIO\VCDElement_GPIOOut |

5.7 Strobe

The strobe function controls the automatic generation of output pulses on the [STROBE_OUT](#) pin which is synchronized to the image sensor's exposure time.

5.7.1 Strobe Enable

The *Strobe Enable* parameter enables the automatic generation of strobe pulses.



| Parameter | Strobe Enable |
|----------------------|-------------------------------|
| On | Strobe enabled |
| True | |
| Off | Strobe disabled |
| False | |
| USB3 Vision: GenICam | StrobeEnable |
| Video4Linux2 | Strobe Enable |
| VCD Property | VCDID_Strobe\VCDElement_Value |

5.7.2 Strobe Polarity

The *Strobe Polarity* parameter can be used to invert the strobe pulse output.

| Parameter | Strobe Polarity |
|----------------------|---|
| ActiveHigh | The STROBE_OUT pin is logically high during the exposure time |
| True | |
| ActiveLow | The STROBE_OUT pin is logically low during the exposure time |
| False | |
| USB3 Vision: GenICam | StrobePolarity |
| Video4Linux2 | Strobe Polarity |
| VCD Property | VCDID_Strobe\VCDElement_StrobePolarity |

5.7.3 Strobe Operation

The *Strobe Operation* parameter specifies how the length of the strobe pulses are controlled.

| Parameter | Strobe Operation |
|----------------------|--|
| Exposure | Output pulse duration is equal to the current exposure time |
| True | |
| FixedDuration | Output pulse duration is specified by <i>Strobe Duration</i> |
| False | |
| USB3 Vision: GenICam | StrobeOperation |
| Video4Linux2 | Strobe Exposure |
| VCD Property | VCDID_Strobe\VCDElement_StrobeMode |



5.7.4 Strobe Duration

The *Strobe Duration* parameter controls the length of the strobe pulses if *Strobe Operation* is set to use the fixed duration mode.

| Parameter | Strobe Duration |
|----------------------|--|
| Minimum | 0 μ s |
| Maximum | 32767 μ s |
| USB3 Vision: GenICam | StrobeDuration |
| Video4Linux2 | Strobe Duration |
| VCD Property | VCDID_Strobe\VCDElement_StrobeDuration |

5.7.5 Strobe Delay

The *Strobe Delay* parameter can be used to add a small delay between the start of exposure and the strobe output pulse.

| Parameter | Strobe Delay |
|----------------------|-------------------------------------|
| Minimum | 0 μ s |
| Maximum | 32767 μ s |
| USB3 Vision: GenICam | StrobeDelay |
| Video4Linux2 | Strobe Delay |
| VCD Property | VCDID_Strobe\VCDElement_StrobeDelay |

5.8 White Balance

The DFK 37BUX265 color camera can perform white balance by digital multiplication of the appropriate raw pixel values.

5.8.1 Auto White Balance

DFK 37BUX265 can perform *Auto White Balance*. It can be enabled continuously when changes in lighting conditions are expected. Under controlled lighting conditions, however, one-time white balance calibration is the recommended approach.

To perform one-time white balance calibration, place a reference white sheet in front of the camera and set `BalanceWhiteAuto` to *Once*. The camera will then find the correct white balance settings for the current light conditions and keep them active until instructed otherwise.



| Parameter | Auto White Balance |
|----------------------|---|
| Continuous | Enable automatic white balance |
| True | |
| Once | Enable automatic white balance until the color channels have been balanced once |
| One Push | |
| Off | Disable automatic white balance |
| False | |
| USB3 Vision: GenICam | BalanceWhiteAuto |
| Video4Linux2 | White Balance Component, Auto |
| VCD Property | VCDID_WhiteBalance\VCDElement_Auto VCDID_WhiteBalance\VCDElement_OnePush |

5.8.2 White Balance Mode

The default auto white balance algorithm is *Gray World*. It is selected by setting the *White Balance Mode* accordingly. The *Gray World* algorithm operates under the assumption that the average color of a scene is near gray and adjusts the white balance coefficients so the average color of the resulting image is gray as well. In the case where this assumption is wrong (e.g. the camera is pointing at a blue carpet), the auto white balance algorithm will select coefficients that do not result in a visually accurate image.

To avoid the problems posed by the *Gray World* algorithm, the *Temperature* mode can be used. This mode operates by trying to determine the color temperature of the light source.

| Parameter | White Balance Mode |
|----------------------|--|
| Gray World | Use the <i>Gray World</i> model |
| Temperature | Use the <i>Temperature</i> model |
| USB3 Vision: GenICam | BalanceWhiteMode |
| Video4Linux2 | Whitebalance Mode |
| VCD Property | VCDID_WhiteBalance \VCDElement_WhiteBalanceMode |

To assist the automatic white balance temperature detection, *White Balance Auto Preset* can be used to limit the range of valid color temperatures.



| Parameter | White Balance Auto Preset |
|----------------------|--|
| Any | Allow any color temperature |
| Auto Warm White | Limit color temperature to approximately 2500-4000 K |
| Auto Cool White | Limit color temperature to approximately 4000-5800 K |
| Auto Daylight | Limit color temperature to approximately 5700-7500 K |
| Auto Deep Shade | Limit color temperature to approximately 7500-10000 K |
| USB3 Vision: GenICam | BalanceWhiteAutoPreset |
| Video4Linux2 | Whitebalance Auto Preset |
| VCD Property | VCDID_WhiteBalance \VCDElement_WhiteBalanceAutoPreset |

5.8.3 Manual White Balance

If *Auto White Balance* is not enabled, the amplifiers for the red, green and blue channels can be controlled manually.

| Parameter | White Balance Red |
|----------------------|---|
| Minimum | 0 |
| Maximum | 3.984375 |
| Default | auto |
| USB3 Vision: GenICam | BalanceRatio[BalanceRatioSelector=Red] |
| Video4Linux2 | White Balance Red Component |
| VCD Property | VCDID_WhiteBalance \VCDElement_WhiteBalanceRed |

| Parameter | White Balance Green |
|----------------------|---|
| Minimum | 0 |
| Maximum | 3.984375 |
| Default | auto |
| USB3 Vision: GenICam | BalanceRatio[BalanceRatioSelector=Green] |
| Video4Linux2 | White Balance Green Component |
| VCD Property | VCDID_WhiteBalance \VCDElement_WhiteBalanceGreen |



| Parameter | White Balance Blue |
|----------------------|--|
| Minimum | 0 |
| Maximum | 3.984375 |
| Default | auto |
| USB3 Vision: GenICam | BalanceRatio[BalanceRatioSelector=Blue] |
| Video4Linux2 | White Balance Blue Component |
| VCD Property | VCDID_WhiteBalance \VCDElement_WhiteBalanceBlue |

If *White Balance Mode* is set to *Temperature*, the color temperature can be set directly. Additionally, a light source can be selected from a list of presets.

| Parameter | White Balance Temperature |
|----------------------|---|
| Minimum | 2500 K |
| Maximum | 10000 K |
| Default | auto |
| USB3 Vision: GenICam | BalanceWhiteTemperature |
| Video4Linux2 | White Balance Temperature |
| VCD Property | VCDID_WhiteBalance \VCDElement_WhiteBalanceTemperature |



| Parameter | White Balance Temperature Preset |
|---------------------------------|---|
| Sodium-Vapor Lamp | 2500 K |
| Warm Light | 2700 K |
| Halogen Light | 3000 K |
| Neutral White | 3500 K |
| Cool White Fluorescent Light | 4000 K |
| Cool White/Daylight (CFL) | 5000 K |
| Daylight | 6000 K |
| Cool White LED | 7500 K |
| Blue Sky | 10000 K |
| USB3 Vision: GenICam | BalanceWhiteTemperaturePreset |
| Video4Linux2 | Whitebalance Temperature Preset |
| VCD Property | VCDID_WhiteBalance \VCDElement_TemperaturePreset |

5.9 Region of Interest for Auto Functions

The 37U series cameras allow for the setting of a region of interest that is used while controlling the [Auto Exposure](#), [Auto Gain](#) and [Auto White Balance](#) functions.

5.9.1 Auto Functions ROI Enable

The *Auto Functions ROI Enable* parameter allows for the use of a region of interest for auto functions.

| Parameter | Auto Functions ROI Enable |
|----------------------|---|
| True | Auto functions only take a specified part of the image into account |
| False | Auto functions look at the whole image |
| USB3 Vision: GenICam | AutoFunctionsROIEnable |
| Video4Linux2 | Auto Functions ROI Enable |
| VCD Property | VCDID_AutoRoi\VCDElement_Value |

5.9.2 Auto Functions ROI Preset

The *Auto Functions ROI Preset* parameter lets the user select from a list of ROI presets.



| Parameter | Auto Functions ROI Preset |
|----------------------|---|
| Center 50% | Select a rectangular area in the center of the output image |
| USB3 Vision: GenICam | AutoFunctionsROI Preset |
| Video4Linux2 | Auto Functions ROI Preset |
| VCD Property | VCDID_AutoRoi\VCDElement_AutoRoiPreset |



6 Revision History

| Date | Version | Description |
|------------|---------|----------------------------------|
| 2018/08/28 | | Initial release of this document |



DFK 37BUX265 Technical Reference Manual

All product and company names in this document may be trademarks and tradenames of their respective owners and are hereby acknowledged.

The Imaging Source Europe GmbH cannot and does not take any responsibility or liability for any information contained in this document. The source code presented in this document is exclusively used for didactic purposes. The Imaging Source does not assume any kind of warranty expressed or implied, resulting from the use of the content of this document or the source code.

The Imaging Source Company reserves the right to make changes in specifications, function or design at any time and without prior notice.

Last update: April 2019

© 2019 The Imaging Source

All rights reserved. Reprint, also in parts, only allowed with permission of The Imaging Source Europe GmbH.

All weights and dimensions are approximate. Unless otherwise specified, the lenses shown in the context of cameras are not shipped with these cameras.

Headquarters:

*The Imaging Source Europe GmbH
Überseetor 18, D-28217 Bremen, Germany
Phone: +49 421 33591-0*

North & South America:

*The Imaging Source, LLC
6926 Shannon Willow Rd, S 400, Charlotte, NC 28226, USA
Phone: +1 704-370-0110*

Asia Pacific:

*The Imaging Source Asia Co., Ltd.
2F., No.8, Xinhua 1st Road
Taipei City 114, Neihu District, Taiwan
Phone: +886 2-2792-3153*

www.theimagingsource.com