



Technical Details



DMK 22AUC03 Technical Reference Manual



1. Quick Facts	3
2. Dimensional Diagrams	5
2.1 DMK 22AUC03 CS-Mount with Tripod Adapter	5
3. Spectral Characteristics	6
3.1 Spectral Sensitivity - MT9V024	6
4. Camera Controls	7
4.1 Sensor Readout Control	7
4.1.1 Pixel Format	7
4.1.1.1 8-Bit Monochrome	7
4.1.2 Frame Rate	7
4.2 Image Sensor Control	8
4.2.1 Exposure Time	8
4.2.2 Gain	9
4.3 Trigger	9
4.3.1 Trigger Mode	9
4.3.2 Software Trigger	9
4.4 Digital I/O	10
4.4.1 General Purpose Input	10
4.4.2 General Purpose Output	10
4.5 Strobe	10
4.5.1 Strobe Enable	10
4.5.2 Strobe Polarity	11
5. Revision History	12



1 Quick Facts

General	
Dynamic Range	8 bit
Resolution	744x480
Frame Rate at Full Resolution	76
Pixel Formats	8-Bit Monochrome

Optical Interface	
IR-Cut filter	No
Sensor Type	Aptina MT9V024
Shutter Type	Global
Sensor Format	1/3 inch
Pixel Size	6 μm
Lens Mount	C/CS

Electrical Interface	
Interface	USB 2.0
Supply voltage	4.75 VDC to 5.25 VDC
Current consumption	approx 250 mA @ 5 VDC

Mechanical Data	
Dimensions	H: 36 mm, W: 36 mm, L: 25 mm
Mass	70 g

Adjustments	
Shutter	100 μs to 0.25 s
Gain	16 to 63

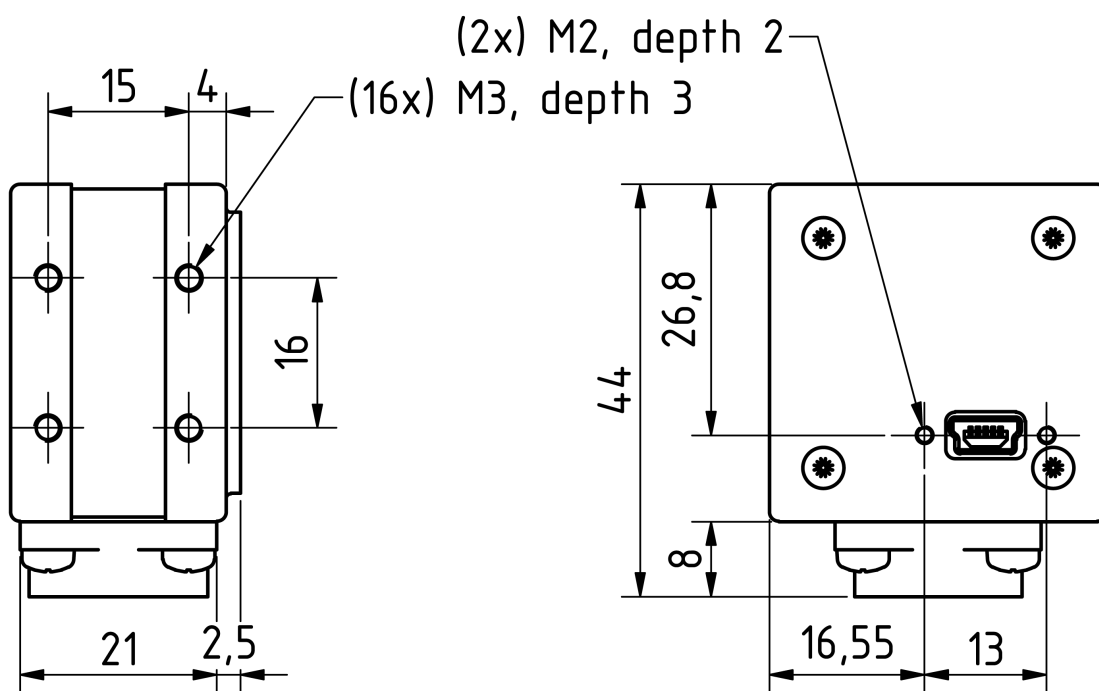
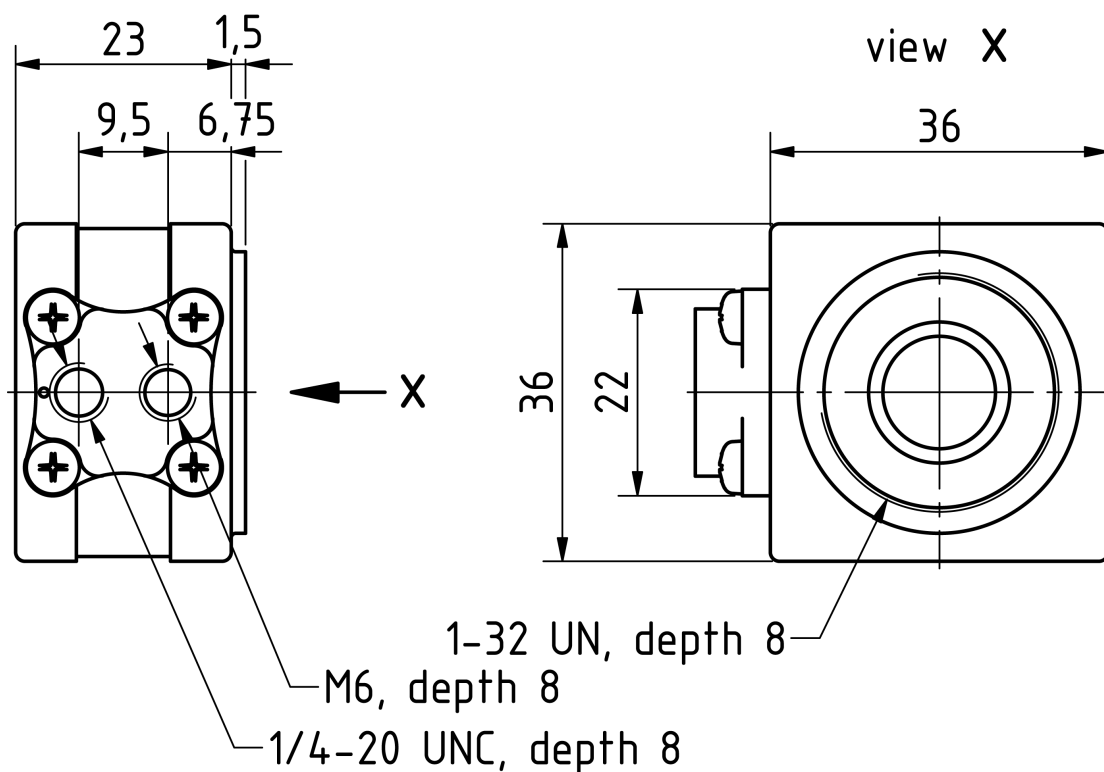


Environmental	
Temperature (operating)	-5 °C to 45 °C
Temperature (storage)	-20 °C to 60 °C
Humidity (operating)	20 % to 80 % (non-condensing)
Humidity (storage)	20 % to 95 % (non-condensing)

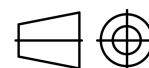


2 Dimensional Diagrams

2.1 DMK 22AUC03 CS-Mount with Tripod Adapter



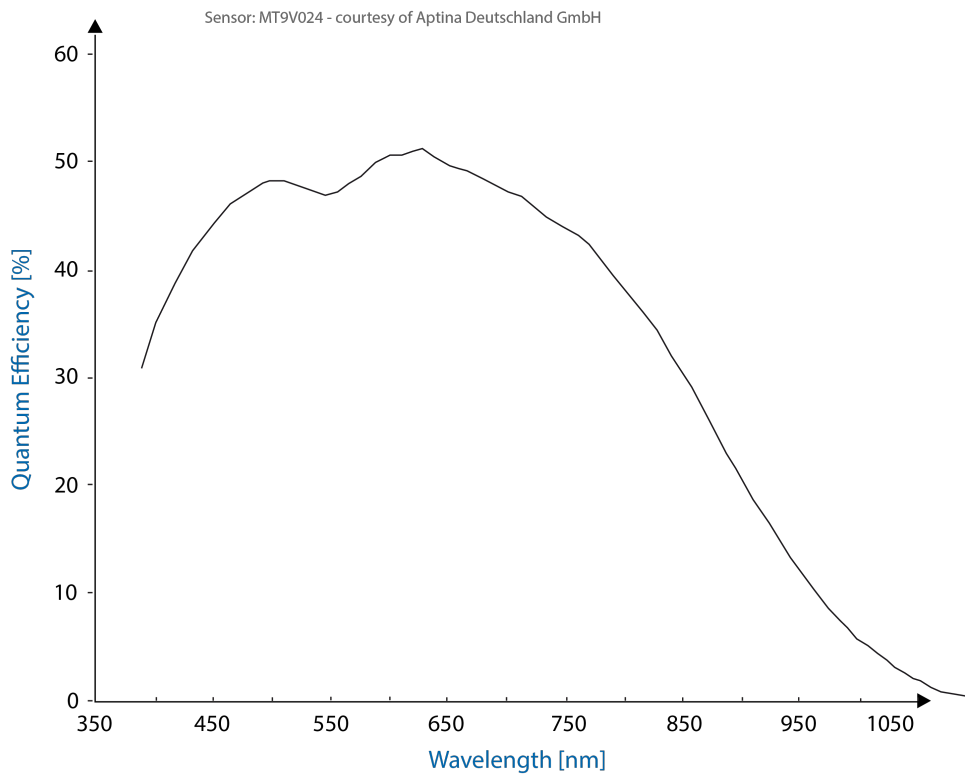
Dimensions: mm
Tolerances: DIN ISO 2768m





3 Spectral Characteristics

3.1 Spectral Sensitivity - MT9V024





4 Camera Controls

This section describes the parameters available for the DMK 22AUC03 camera.

The actual name of the parameter depends on the driver technology used to access the camera. Parameter names are listed for the most common ways to access the cameras:

- UVC/V4L2 (on Linux, via `uvcvideo`)
- *IC Imaging Control* (on Windows, via *Device Driver for USB Cameras*)

4.1 Sensor Readout Control

4.1.1 Pixel Format

The pixel format defines the data type of the pixels transmitted to the computer. The bits per pixel needed for a particular pixel format influence the required bandwidth.

The way the pixel format is controlled varies significantly among the driver technology used to access the camera:

- When using the `uvcvideo` driver on Linux, the pixel format is defined by `video4linux2`.
- When using *IC Imaging Control*, the pixel format is part of the video format - a parameter which combines pixel format, resolution and readout mode. For more information, refer to the *IC Imaging Control* documentation sections on `VideoFormat` and `VideoFormatDesc`.

The DMK 22AUC03 monochrome camera supports multiple pixel formats with variable bits-per-pixel settings. The names of the pixel formats and the way to select them depends on the driver used to control the camera. The following table contains a short overview of all possible formats followed by a more detailed description.

Pixel Format	Bits Per Pixel	UVC	TIS UVC Driver
8-Bit Monochrome	8	Y800	Y800

4.1.1.1 8-Bit Monochrome

This format transmits data using one byte for each pixel.

UVC drivers see it with the *FourCC* `Y800`.

The *Device Driver for USB Cameras* offers this pixel format as the `Y800` video format.

4.1.2 Frame Rate

The frame rate is specified in frames per second and determines the camera's operating speed.

The way the frame rate is controlled depends greatly upon which driver technology is used to access the camera:

- When using `uvcvideo` on Linux, the frame rate is selected from a list of available frame rates.



- When using IC Imaging Control, the frame rate is selected from a list of available frame rates through APIs such as `Grabber::setFPS` or `ICImagingControl.DeviceFrameRate`.

The range of available frame rates depends upon other camera settings such as well, pixel format, resolution and readout modes.

Parameter	Frame Rate
Minimum	Depending on Pixel Format, Resolution, and Readout Mode
Maximum	Depending on Pixel Format, Resolution, and Readout Mode

The following tables show the maximum frame rate for some combinations of pixel format and resolution.

8-Bit Monochrome

Width	Height	Maximum Frame Rate
744	480	76
640	480	87
320	240	160

4.2 Image Sensor Control

4.2.1 Exposure Time

The *Exposure Time* parameter defines the time the camera opens its (electronic) shutter when it is taking an image.

Parameter	Exposure Time
Minimum	100 μ s
Maximum	0.25 s
Default	auto
Video4Linux2	<code>Exposure (Absolute)</code>
	The V4L2 <code>Exposure (Absolute)</code> control is using 100 μ s units
VCD Property	<code>VCDID_Exposure\VCDElement_Value</code>



4.2.2 Gain

The *Gain* parameter defines the amplification that is applied to the image at sensor level.

Parameter	Gain
Minimum	16
Maximum	63
Default	auto
Video4Linux2	Gain
VCD Property	VCDID_Gain\VCDElement_Value

4.3 Trigger

The trigger mode can be used to take images at very specific points in time which are specified by an electrical signal connected to the TRIGGER_IN pin of the I/O connector of the camera.

4.3.1 Trigger Mode

The *Trigger Mode* parameter enables the trigger mode.

Parameter	Trigger Mode
On	Enable Trigger Mode
True	
Off	Disable Trigger Mode
False	
Video4Linux2	Trigger Mode
VCD Property	VCDID_Trigger\VCDElement_Value

4.3.2 Software Trigger

The *Software Trigger* function can be used to simulate a trigger pulse, in turn causing one image to be exposed and delivered to the host computer.

Parameter	Software Trigger
Execute	Simulate one trigger pulse
Video4Linux2	Software Trigger
VCD Property	VCDID_Trigger\VCDElement_SoftwareTrigger



4.4 Digital I/O

The One4All series has one digital input and one digital output. The digital input can be used as a [Trigger](#) input but the current status can also be examined directly.

The digital output can be configured as a [Strobe](#) output to signal the exact moment when the image sensor is sensitive to light so that external light sources can be synchronized to its operation cycle.

4.4.1 General Purpose Input

The *General Purpose Input* parameter allows the current status of the TRIGGER_IN pin.

Parameter	General Purpose Input
True	TRIGGER_IN line status is low
1	
False	TRIGGER_IN line status is high
0	
Video4Linux2	ExtIO[1]
VCD Property	VCDID_GPIO\VCDElement_GPIORead VCDID_GPIO\VCDElement_GPIOIn

4.4.2 General Purpose Output

The *General Purpose Output* parameter controls the status of the STROBE_OUT pin.

Parameter	General Purpose Output
True	Drive the STROBE_OUT line high
1	
False	Drive the STROBE_OUT line low
0	
Video4Linux2	ExtIO[0]
VCD Property	VCDID_GPIO\VCDElement_GPIOWrite VCDID_GPIO\VCDElement_GPIOOut

4.5 Strobe

The strobe function controls the automatic generation of output pulses on the STROBE_OUT pin which is synchronized to the image sensor's exposure time.

4.5.1 Strobe Enable

The *Strobe Enable* parameter enables the automatic generation of strobe pulses.



Parameter	Strobe Enable
On	Strobe enabled
True	
Off	Strobe disabled
False	
Video4Linux2	Strobe[0]
VCD Property	VCDID_Strobe\VCDElement_Value

4.5.2 Strobe Polarity

The *Strobe Polarity* parameter can be used to invert the strobe pulse output.

Parameter	Strobe Polarity
ActiveHigh	The STROBE_OUT pin is logically high during the exposure time
True	
ActiveLow	The STROBE_OUT pin is logically low during the exposure time
False	
Video4Linux2	Strobe[1]
VCD Property	VCDID_Strobe\VCDElement_StrobePolarity



5 Revision History

Date	Version	Description
2018/12/07		Initial release of this document



DMK 22AUC03 Technical Reference Manual

All product and company names in this document may be trademarks and tradenames of their respective owners and are hereby acknowledged.

The Imaging Source Europe GmbH cannot and does not take any responsibility or liability for any information contained in this document. The source code presented in this document is exclusively used for didactic purposes. The Imaging Source does not assume any kind of warranty expressed or implied, resulting from the use of the content of this document or the source code.

The Imaging Source Company reserves the right to make changes in specifications, function or design at any time and without prior notice.

Last update: April 2019

© 2019 The Imaging Source

All rights reserved. Reprint, also in parts, only allowed with permission of The Imaging Source Europe GmbH.

All weights and dimensions are approximate. Unless otherwise specified, the lenses shown in the context of cameras are not shipped with these cameras.

Headquarters:

*The Imaging Source Europe GmbH
Überseetor 18, D-28217 Bremen, Germany
Phone: +49 421 33591-0*

North & South America:

*The Imaging Source, LLC
6926 Shannon Willow Rd, S 400, Charlotte, NC 28226, USA
Phone: +1 704-370-0110*

Asia Pacific:

*The Imaging Source Asia Co., Ltd.
2F., No.8, Xinhua 1st Road
Taipei City 114, Neihu District, Taiwan
Phone: +886 2-2792-3153*

www.theimagingsource.com