

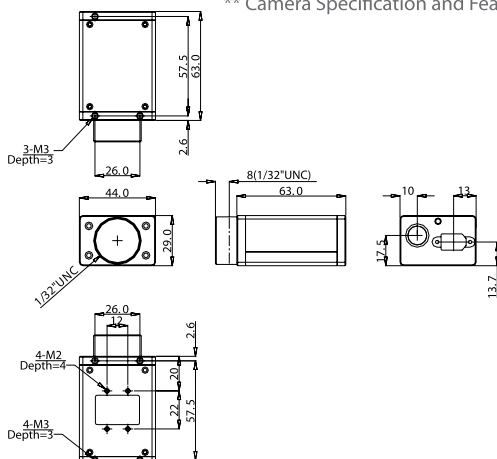
The HAN Series is comprised of Sony Digital Area Scan CCD Cameras with a FireWire Interface and an external trigger for the most demanding industrial machine vision applications. HAN series cameras provide excellent image quality, color rendition and a compact form factor, which afford versatility when space and weight are important considerations of an application. The HAN cameras offer you a wide selection of characteristics while supporting all the latest features, including the highest frame rate when compared to models from other manufacturers.



Specification	IMx-1200FT	IMx-3145FT	IMx-1140FT	IMx-1080FT	IMx-1070FT	IMx-1050FT	IMx-1040FT
Image Sensor	1/1.8" CCD ICX274 AL/AQ	2/3" CCD ICX285 AL/AQ	1/2" CCD ICX205 AL/AK	1/3" CCD ICX204 AL/AK	1/2" CCD ICX415 AL/AQ	1/2" CCD ICX414 AL/AQ	1/3" CCD ICX424 AL/AQ
Picture Size	1600(H)x1200(V)	1388(H)x1040(V) (*1388 x 1036)	1388(H)x1040(V) (*1388 x 1036)	1024(H) x 768(V)	780(H) x 580(V)	640(H) x 480(V)	640(H) x 480(V)
Data Path	12bit , Raw RGB, YUV422, Mono 8, Mono 16						
Pixel Size	4.40 x 4.40 μm	6.45 x 6.45 μm	4.65 x 4.65 μm	4.65 x 4.65 μm	8.30 x 8.30 μm	9.90 x 9.90 μm	7.40 x 7.40 μm
Max FPS / Max Res.	16 fps	20 fps	20 fps	36 fps	60 fps	86 fps	86 fps
Scanning System	Progressive Scan						
Binning	2x2, 1x2	2x2, 1x2 (only for B/W Models)					
Format7	Partial Scan (Unit : 4x4)						
Trigger	Edge	Rising Edge or Falling Edge Photo-Coupler					
	Mode	Mode 0, 1, 2, 3, 4, 5,14,15 (Additional Mode 12 , 13 for 3145FT)					
	Source	External Trigger or Software Trigger					
Strobe Output	Active Low or High, Support Normal Mode or Trigger Mode Photo-Coupler						
Memory Save/Load	16 Channels (0:factory, 1~4:feature, 5~15:mode/feature)						
SIO(RS-232)	IIDC Ver.1.31 : Pass through or IMI-Tech Command						
Digital Interface	IEEE 1394.a (6pin) 1 Port						
Transfer Rate	400 Mbps						
Shutter Speed	Manual or Auto / Range : 1 μsec ~ 3600 sec						
Gain Control	0 ~ 18 dB Manual or Auto						
S/N Ratio	56 dB or better						
Control Function	Brightness, Sharpness, Gamma, Auto-Exposure, Auto Shutter, Auto Gain, Pan/Tilt, User defined AE, Hue, Saturation, *Auto White Balance						
Lens Mount	C Mount						
External Dimension	44(W) x 29(H) x 63(D) mm / approx. 110 gram						

** Camera Specification and Features are subject to change without notice for improvement.

* for Color Models



Major Features

- CCD Image Sensor in Compact Size
- Fully compliant with IIDC 1.31 specification.
- Hardware YUV / Auto White Balance
- External Trigger support with Opto- Isolator
- Multi Camera Auto Sync, Frame Save support
- SIO Pass through and Strobe support
- Partial Scan and Binning support
- 4 Point LUT and User Defined LUT support

