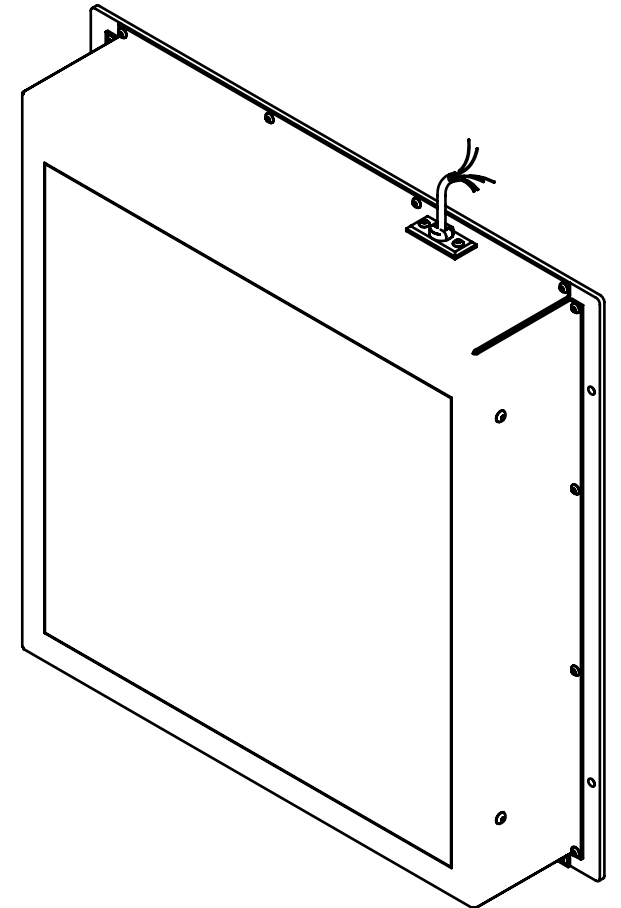
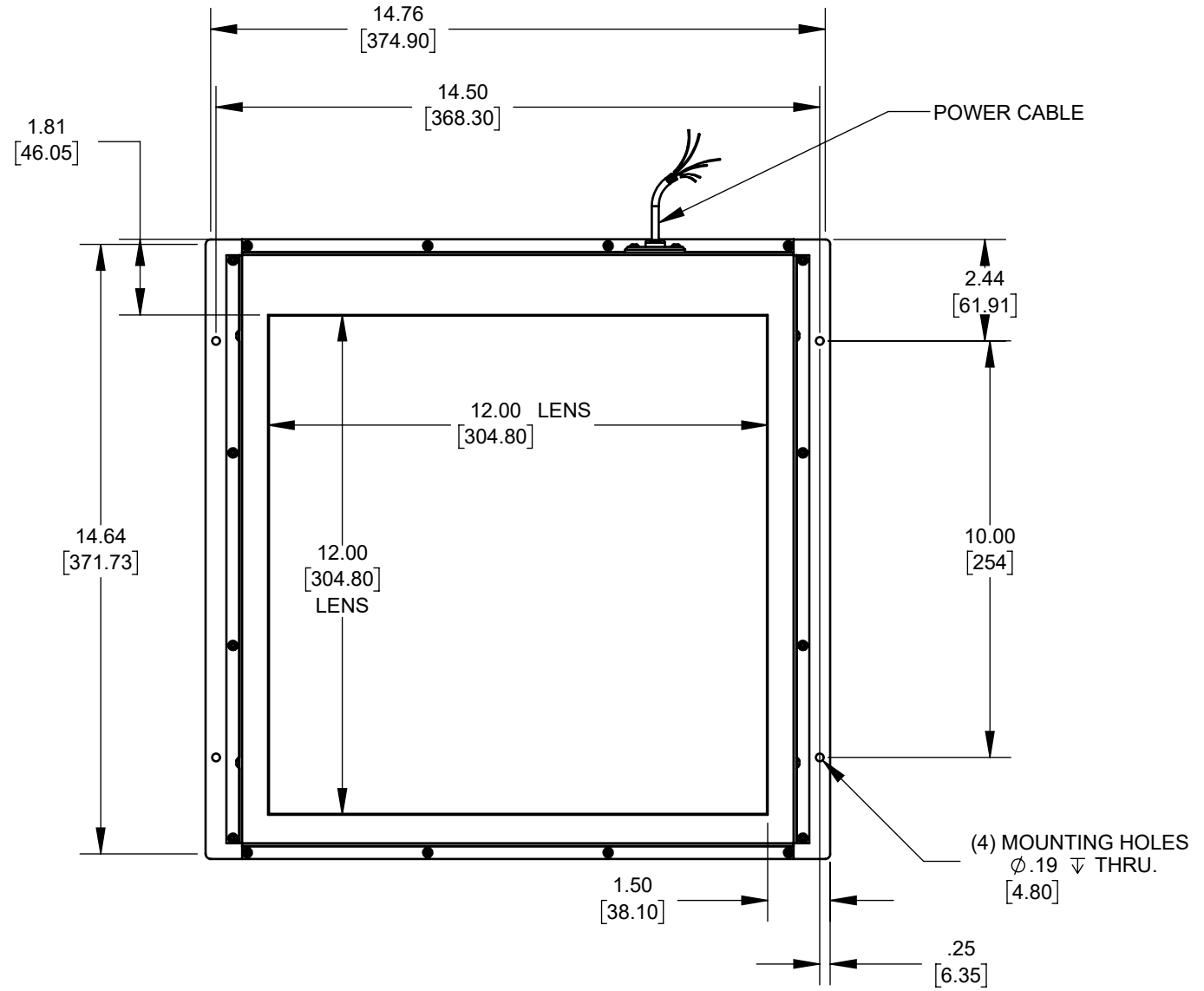
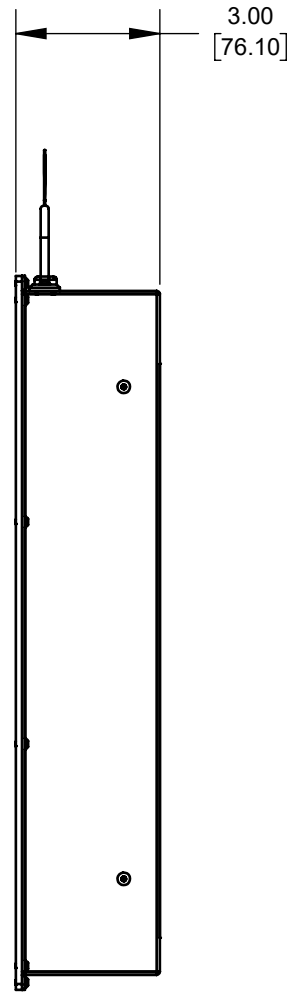


| REVISIONS |                 |           |          |
|-----------|-----------------|-----------|----------|
| REV.      | DESCRIPTION     | DATE      | APPROVED |
| A         | INITIAL RELEASE | 5/31/2019 |          |



Metaphase Technologies, Inc. 211 Sinclair Road, Suite 100, Bristol, PA. 19007 215-639-8699 Fax 215-639-0977



TITLE  
**ASSY 12" x 12" MS BACK LIGHT**

USED ON  
**PER CUSTOMER**

|                  |                                       |                 |
|------------------|---------------------------------------|-----------------|
| SIZE<br><b>B</b> | DRAWING NUMBER<br><b>MS-BL12X12-1</b> | REV<br><b>A</b> |
| SCALE 1:4        |                                       | SHEET 1 OF 1    |

|                   |                   |
|-------------------|-------------------|
| <b>QUANTITY:</b>  | <b>PER ORDER</b>  |
| <b>MATERIAL:</b>  | <b>ALUMINUM</b>   |
| <b>FINISH:</b>    | <b>BLACK PWDR</b> |
| <b>TREATMENT:</b> | <b>N/A</b>        |

| TOLERANCE/FINISH UNLESS OTHERWISE SPECIFIED |                   |                   |       |                   |
|---|-------------------|-------------------|-------|-------------------|
| INCHES [MM]                                 |                   |                   |       |                   |
| X   | .X                | .XX               | .XXX  | 125√RMS [RA3.2um] |
| [±.76]                                      | [±.030<br>[±.25]] | [±.010<br>[±.13]] | ±.005 | ANGLES ±1°        |

THIS DOCUMENT IS THE PROPERTY OF METAPHASE TECHNOLOGIES, INC. WHOM MAY LOAN IT, SUBJECT TO RETURN UPON DEMAND. IT INCLUDES CONFIDENTIAL & PROPRIETARY INFORMATION WHICH MAY NOT BE DISCLOSED TO ANY THIRD PARTY, AND/ OR USED FOR ANY PURPOSE CONTRARY TO IT'S INTENDED USE, WITHOUT THE EXPRESSED PRIOR WRITTEN CONSENT OF METAPHASE TECHNOLOGIES, INC.

SEE SHEET 2 FOR EXPLODED VIEW AND BOM.

Approval Signature \_\_\_\_\_

/ /  
Date