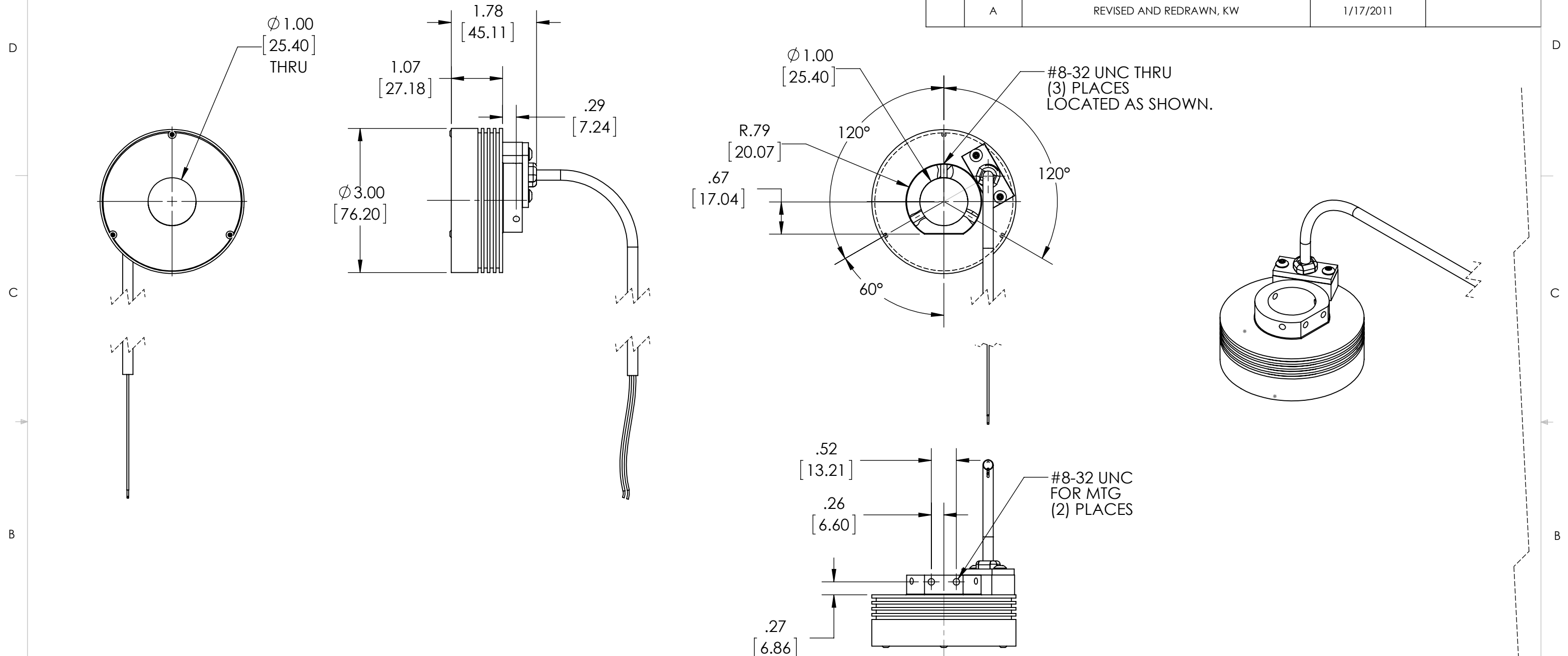


REVISIONS				
ZONE	REV.	DESCRIPTION	DATE	APPROVED
	A	REVISED AND REDRAWN, KW	1/17/2011	



**NOTES: UNLESS OTHERWISE SPECIFIED**

- FOR MODELS RL101-X-12/24: COMES WITH 10 FT ELECTRICAL CABLE WITH 1" FLYING LEADWIRES.
- FOR MODELS RL101-X: CABLE MUST BE ORDERED SEPARATLY, PART# PC-9-10.

**PROPRIETARY AND CONFIDENTIAL**  
 THE INFORMATION CONTAINED IN THIS DRAWING IS THE SOLE PROPERTY OF <INSERT COMPANY NAME HERE>. ANY REPRODUCTION IN PART OR AS A WHOLE WITHOUT THE WRITTEN PERMISSION OF <INSERT COMPANY NAME HERE> IS PROHIBITED.

		UNLESS OTHERWISE SPECIFIED:		NAME	DATE	METAPHASE TECHNOLOGIES, INC.	
		DIMENSIONS ARE IN INCHES		DRAWN	KW	1-17-11	TITLE:  RING LIGHT 101 (3 INCH, 76.2MM)
		TOLERANCES:		CHECKED			
		FRACTIONAL $\pm$		ENG APPR.			
		ANGULAR: MACH $\pm$ BEND $\pm$		MFG APPR.			
		TWO PLACE DECIMAL $\pm$		Q.A.			SIZE DWG. NO. REV <b>B</b> RL101 <sup>(A)</sup> <b>A</b>
		THREE PLACE DECIMAL $\pm$		COMMENTS:			
		INTERPRET GEOMETRIC TOLERANCING PER:					SCALE: 1:4
		MATERIAL					WEIGHT:
		FINISH					SHEET 1 OF 1
NEXT ASSY	USED ON	APPLICATION		DO NOT SCALE DRAWING			