

MACHINE VISION CAMERA

CamPerform

CP70-16-M/C-148



- METROLOGY AND HIGH SPEED MACHINE VISION
- MOTION ANALYSIS
- BROADCAST

- 148 fps with 4 672 x 3 416 pixels
- Global shutter with low noise pixel
- New DIN 1.0/2.3 connectors with thread lock
- CoaXPress interface with 25 Gbit/s
- Power and trigger via CoaXPress
- Microsecond and frame counter

CamPerform CP70-16-M/C-148

Optronis

Make time visible

FEATURES

The CP70-16-M/C-148 is a very high resolution camera with low noise pixels. Frame rate increase is possible by vertical but also horizontal resolution reduction. This makes the camera a flexible tool for many applications and measurement tasks.

- 4 672 x 3 416 pixel resolution
- low noise pixel
- frame rate increases with vertical and horizontal window size reduction

Firmware features

- Analogue gain adjustment
- Analogue offset adjustment
- Hot pixel correction (customer activatable)
- Framenumber and Microsecond counter on image

SPECIFICATIONS

Sensor type	LUX160, Global Shutter
Resolution	4 672 pixel x 3 416 pixel
Frame rate (full resolution)	20 .. 148 fps
Exposure time	4 μ s .. 1 / frame rate
Active area / Diagonal	18.221 mm x 13.322 mm / 22.572 mm
Pixel size	3.9 μ m x 3.9 μ m
A/D conversion	8 Bit
Sensitivity (sensor)	5 V/lux·s @ 550 nm
Synchronization	internal, external, CoaXPress
Synchronization signals	Synch IN and Synch OUT, TTL level, electrically isolated
Interface	CoaXPress 1.1 (4 ch., CXP-6) DIN 1.0/2.3 connectors
Power	<10 W, PoCXP, ext.
Operating ambient temperature	0 .. +40°C / 32 .. 104°F
Weight	400 g without mount
Dimensions	85 mm x 85 mm x 49 mm (3D model data available)

EMVA1288 camera measurements (typ. Preliminary)

Dynamic range	55 dB
Saturation capacity	22 700 e ⁻
Temporal dark noise	10 e ⁻
System gain	34 e ⁻ /DN
Signal-to-Noise Ratio	39 dB
DSNU	135 e ⁻
PRNU	- %
Non-linearity error LE _{min} , LE _{max}	1 %

PERFORMANCE (EXAMPLES)

Resolution (HxV)	Frame rate	Resolution (HxV)	Frame rate
4 672 x 3 416	148 fps	4 672 x 512	988 fps
4 080 x 3 072	187 fps	4 672 x 256	1 968 fps
4 080 x 2 048	281 fps	4 672 x 128	3 907 fps
2 048 x 1 024	1 012 fps	4 672 x 32	14 939 fps
1 024 x 512	2 021 fps	2 048 x 32	30 557 fps

MODELS

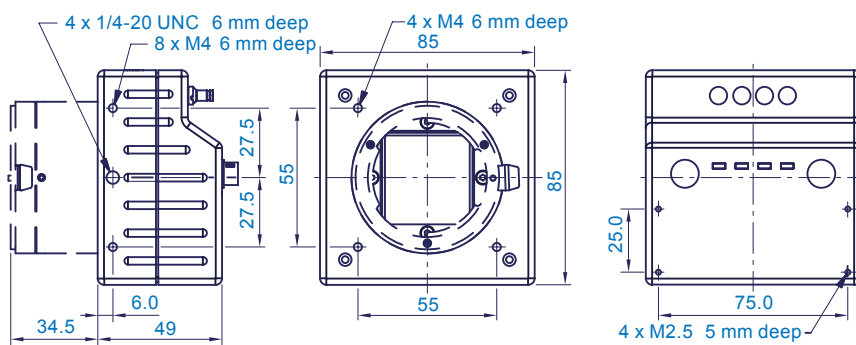
Article number	Description
CP70-16-M-148	monochrome Camera
CP70-16-C-148	color Camera
Scope of delivery	Camera, brief introduction

ACCESSORIES

Lens mounts: C-mount, F-mount, G-mount, M42-mount

Power supply, pig tail cable, programming cable

TECHNICAL DRAWING



CONTACT INFORMATION

Optronis GmbH
Ludwigstraße 2
77694 Kehl
Germany

Phone: +49 7851 91 26 - 0
Fax: +49 7851 91 26 - 10
info@optronis.com
www.optronis.com

The information given herein is believed to be reliable, however Optronis makes no warranties as to its accuracy or completeness. Data sheet is subject to modifications at any time. Version B