

Preliminary

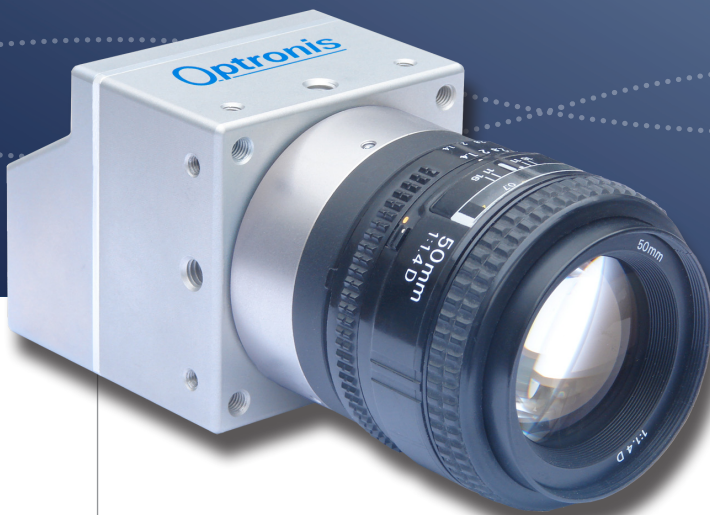
**Optronis**

Make time visible

CAMPERFORM-CYCLONE SERIES

# Cyclone-16-300

High-Speed Machine Vision Camera



**CXP-12**

- METROLOGY AND HIGH SPEED MACHINE VISION
- LASER LINE PROFIOMETRY
- AUTOMATED OPTICAL INSPECTION (AOI)

- 284 fps with 4 672 x 3 416 pixels
- Global shutter with low noise pixel
- Micro-BNC (HD-BNC™) connectors
- CoaXPress V2.0 interface with 4 x 12.5 Gbit/s
- Power and trigger via CoaXPress
- Microsecond and frame counter

[www.optronis.com](http://www.optronis.com)

# Cyclone-16-300 High-Speed Machine Vision Camera *Optronis*

Make time visible

## FEATURES

The Cyclone-16-300 is a high resolution camera with low noise pixels. It is part of Optronis CamPerform-Cyclone series for demanding machine vision applications. Reducing vertical resolution allows increased frame rate.

- 4 672 x 3 416 pixel resolution
- low noise pixel
- frame rate increases with vertical window size reduction

Firmware features

- Analogue gain adjustment
- Analogue offset adjustment
- Hot pixel correction (customer activatable)
- LUT factory set or customer definition
- Framenumber and Microsecond counter on image

## SPECIFICATIONS

Sensor type	LUX160, Global Shutter
Resolution	4 672 pixel x 3 416 pixel
Frame rate (full resolution)	20 .. 2 84 fps
Exposure time	4 µs .. 1 / frame rate
Active area / Diagonal	18.22 mm x 13.32 mm / 22.56 mm
Pixel size	3.9 µm x 3.9 µm
A/D conversion	8/10 Bit
Sensitivity (sensor)	5 V/lux·s @ 550 nm
Quantum efficiency (sensor)	>45 % @ 550 nm
Synchronization	internal, external, CoaXPress
Synchronization signals	Synch IN and Synch OUT, TTL level, electrically isolated
Interface	CoaXPress 2.0 (4 ch., CXP-12) Micro-BNC (HD-BNC) connectors
Power	12 W, PoCXP, ext.
Temperature Ranges	
- operation, amb., no cooling	0 .. +30°C / 32 .. 86°F
- operation, amb., with CY-HIS	0 .. +40°C / 32 .. 104°F
- operation, amb., with CY-FAN	0 .. +55°C / 32 .. 131°F
- operation, case temperature	0 .. +70°C / 32 .. 158°F
Weight	400 g w/o mount, w/o cooling
Dimensions	65 mm x 65 mm x 71 mm (3D model data available)

## EMVA1288 measurements (v3.1 typ. preliminary)

Dynamic range	TBD dB
Saturation capacity	10 000 e <sup>-</sup>
Temporal dark noise	TBD e <sup>-</sup>
System gain	TBD e <sup>-</sup> /DN
Signal-to-Noise Ratio	TBD dB

## PERFORMANCE (EXAMPLES, 8 BIT)

Resolution (HxV)	Frame rate	Resolution (HxV)	Frame rate
4 672 x 3 416	284 fps	4 672 x 3 072	316 fps
2 304x 1720	564 fps	4 672 x 2048	474 fps
2 304 x 1024	947 fps	4 672 x 256	3 746 fps
1024 x 512	1 887 fps	4 672 x 32	27 056 fps
1 024 x 8	81 168 fps	4 672 x 16	48 701 fps

## MODELS

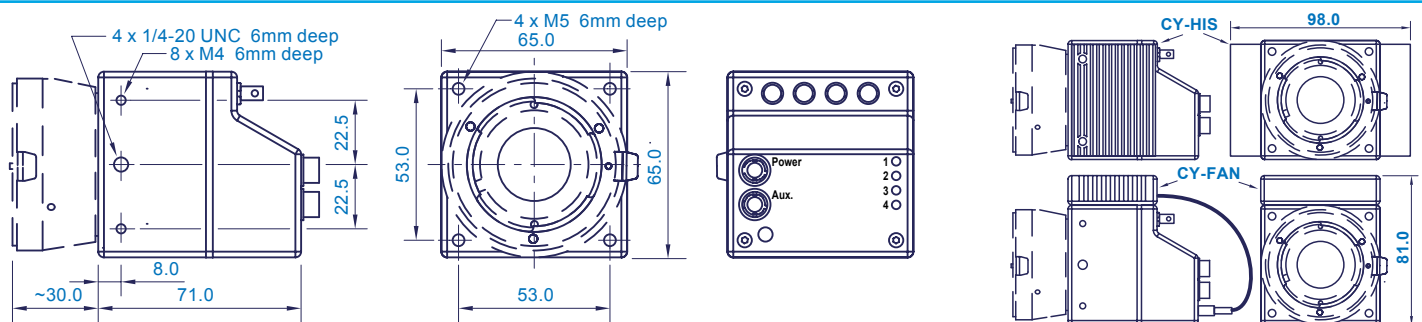
Cyclone-16-300-M	monochrome Camera
Cyclone-16-300-C	color Camera
Scope of delivery	Camera, brief introduction

## ACCESSORIES

CY-CM	C-Mount lens adapter
CY-FM	F-Mount lens adapter
CY-M42	M42 Mount lens adapter
CPH6-PTC	Pig tail cable for synch
CPH6-USB	Programming Cable
CY-HIS	Heat Sink
CY-FAN	Cooling Fan



## TECHNICAL DRAWINGS



## CONTACT INFORMATION

Optronis GmbH  
Ludwigstraße 2  
77694 Kehl  
Germany

Phone: +49 7851 91 26 - 0  
Fax: +49 7851 91 26 - 10  
info@optronis.com  
www.optronis.com

The information given herein is believed to be reliable, however Optronis makes no warranties as to its accuracy or completeness. Data sheet is subject to modifications at any time. Version B