

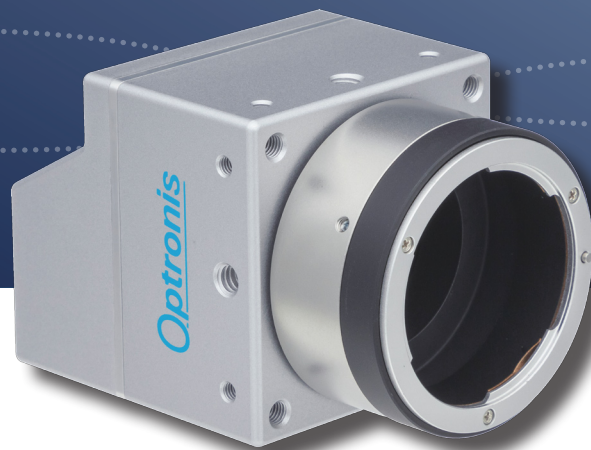
Optronis

Make time visible

CAMPERFORM-CYCLONE SERIES

Cyclone-25-150

High-Speed Machine Vision Camera



CXP-12

- ✓ HIGH SPEED MACHINE VISION
- ✓ AUTOMATED OPTICAL INSPECTION (AOI)
- ✓ SEMICONDUCTOR QUALITY CONTROL

- 150 fps with 5 120 x 5 120 pixels
- Global shutter mode
- Low noise pixel
- CoaXPress V2.0 interface with 4 x 12.5 Gbit/s
- Power and trigger via CoaXPress

www.optronis.com

Cyclone-25-150 High-Speed Machine Vision Camera **Optronis**

Make time visible

FEATURES

Cyclone-25-150 camera provides high resolution images at high frame rate of 150 fps. The camera is part of Optronis CamPerform-Cyclone series for demanding machine vision applications.

- 5 120 x 5 120 pixel resolution
- low noise pixel
- sensor frame rate increases with vertical window size reduction

Firmware features

- Analogue gain and offset adjustment
- Defect pixel correction (customer activatable)
- Dual ROI and Line skipping
- Framenumber and Microsecond counter on image

SPECIFICATIONS

Sensor type	GMAX0505, High-Speed, Grade 1
Resolution	5 120 pixel x 5 120 pixel
Frame rate (full resolution)	20 .. 150 fps
Exposure time	12 µs .. 1 / frame rate
Active area / Diagonal	12.80 mm x 12.80 mm / 18.10 mm
Pixel distance	2.5 µm x 2.5 µm
A/D conversion	8/10 Bit
Quantum efficiency (sensor)	65 % @ 500 nm
Synchronization	internal, external, CoaXPress
Synchronization signals	Synch IN and Synch OUT, TTL level, electrically isolated
Interface	CoaXPress 2.0 (4 ch., CXP-12) Micro-BNC (HD-BNC) connectors
Power	12 W, PoCXP, ext.
Temperature Ranges	
- operation, amb., no cooling	0 .. +30°C / 32 .. 82°F
- operation, amb., with CY-HIS	0 .. +40°C / 32 .. 104°F
- operation, amb., with CY-FAN	0 .. +55°C / 32 .. 131°F
- operation, case temperature	0 .. +70°C / 32 .. 158°F
Weight	400 g w/o mount, w/o cooling
Dimensions	65 mm x 65 mm x 71 mm (3D model data available)

EMVA1288 measurements (v3.1 typ.)

Dynamic range	55 dB
Saturation capacity	6 500 e ⁻
Temporal dark noise	6 e ⁻
System gain	17 e ⁻ /DN
Signal-to-Noise Ratio	36 dB
DSNU	15 e ⁻
PRNU	2.5 %
Non-linearity error (v3.0)	0.6 %

PERFORMANCE (EXAMPLES, 8 BIT, SEE ALSO FRAME RATE CALCULATOR)

Resolution (HxV)	Frame rate	Resolution (HxV)	Frame rate
5 120 x 5 120	150 fps	5 120 x 2 560	298 fps
4 096 x 4 096	187 fps	5 120 x 1 280	590 fps
3 840 x 2 160	353 fps	5 120 x 640	1 152 fps
1 920 x 1 080	696 fps	5 120 x 128	4 838 fps
1 280 x 720	1 029 fps	5 120 x 4	21 496 fps

MODELS

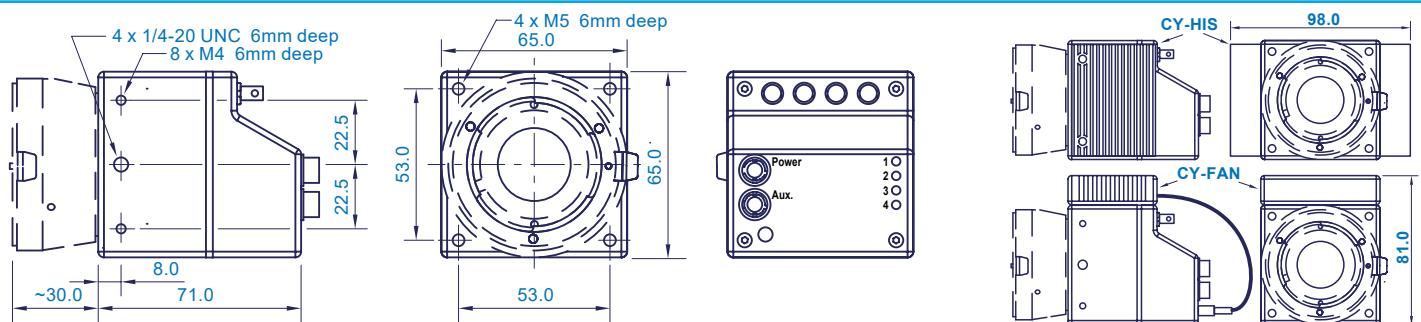
Cyclone-25-150-M	monochrome Camera
Cyclone-25-150-C	color Camera
Scope of delivery	Camera, brief introduction

ACCESSORIES

CY-CM	C-Mount lens adapter
CY-FM	F-Mount lens adapter
CY-M42	M42 Mount lens adapter
CPH6-PTC	Pig tail cable for synch
CPH6-USB	Programming Cable
CY-HIS	Heat Sink
CY-FAN	Cooling Fan



TECHNICAL DRAWINGS



CONTACT INFORMATION

Optronis GmbH
Ludwigstraße 2
77694 Kehl
Germany

Phone: +49 7851 91 26 - 0
Fax: +49 7851 91 26 - 10
info@optronis.com
www.optronis.com

The information given herein is believed to be reliable, however Optronis makes no warranties as to its accuracy or completeness. Data sheet is subject to modifications at any time. 11.20