

New VQ GigE Vision Cameras

The Smallest GigE Cameras Featuring VGA to 20 MP



Model	Resolution	Frame Rate	Interface	Optical Format	Sensor	Pixel Size
VQ-400G2-M/C 291 H	728 × 544	291 fps	GigE	1/2.9"	Sony IMX287	6.90 μm × 6.90 μm
VQ-1600G2-M/C 77 H	1440 × 1080	77 fps	GigE	1/2.9"	Sony IMX273	3.45 μm × 3.45 μm
VQ-2MG2-M/C 52 H	1920 × 1200	52 fps	GigE	1/2.3"	Sony IMX392	3.45 μm × 3.45 μm
VQ-3MG2-M/C 38 H	2048 × 1536	38 fps	GigE	1/1.8"	Sony IMX265	3.45 μm × 3.45 μm
VQ-5MG2-M/C 24 H	2448 × 2048	24 fps	GigE	2/3"	Sony IMX264	3.45 μm × 3.45 μm
VQ-12MG2-M/C 10 H	4096 × 3000	9.9 fps	GigE	1.1"	Sony IMX304	3.45 μm × 3.45 μm
VQ-20MG2-M/C 6 H	5472 × 3648	6 fps	GigE	1"	Sony IMX183	2.40 μm × 2.40 μm

New VQ GigE Vision Cameras

The Smallest GigE Cameras Featuring VGA to 20 MP

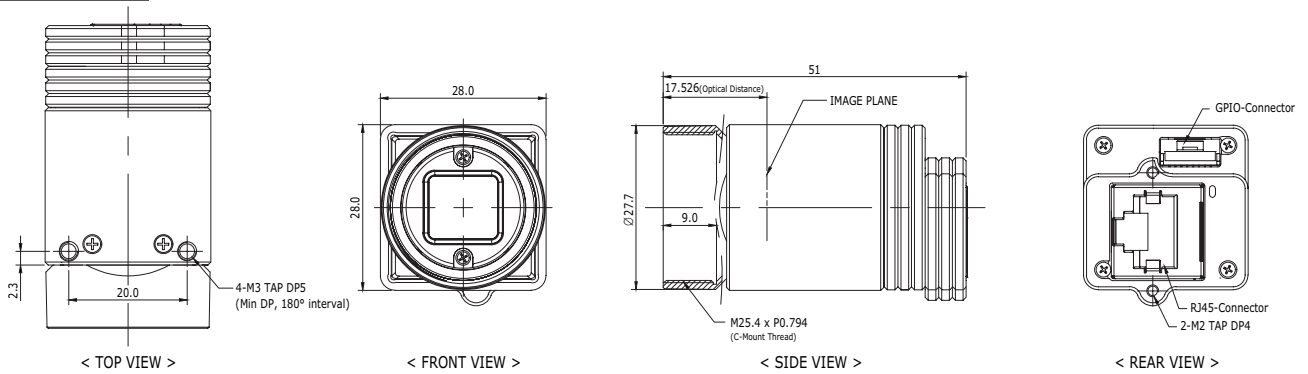
Applications

- * Industrial Inspection – Wafer, Flat Panel Display, Solar Panel, etc.
- * Food Sorting and Inspection
- * Microscopy

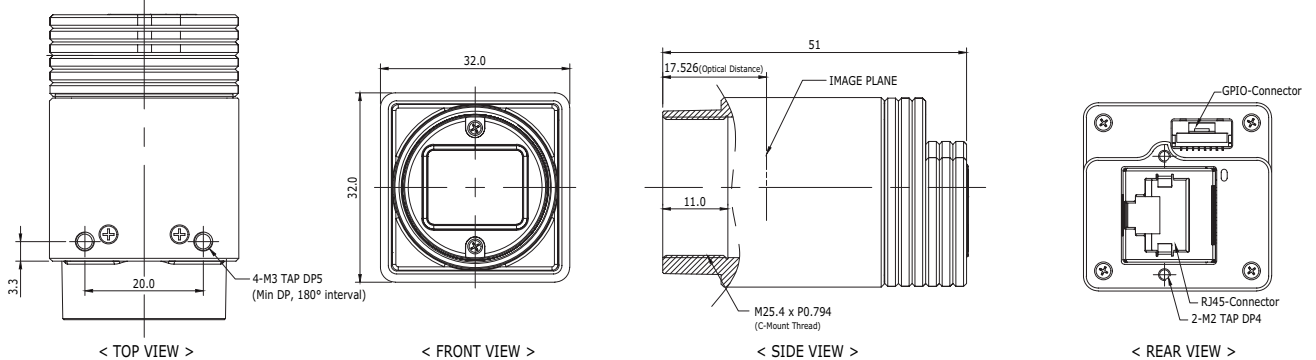
Mechanical Dimensions

Unit: mm

VQ-400G2-M/C 291 H
VQ-1600G2-M/C 77 H
VQ-2MG2-M/C 52 H
VQ-3MG2-M/C 38 H
VQ-5MG2-M/C 24 H



VQ-12MG2-M/C 10 H
VQ-20MG2-M/C 6 H



For more information please contact local distributor or visit our website at <http://www.viewworks.com>.

Reproduction in whole or in part without written permission is prohibited. Viewworks Co., Ltd. is not responsible for any technical or typographical errors and reserves the right to make changes to products, specifications and documentation without prior notice.

D-18-742

VIEWWORKS

41-3, Burim-ro 170 beon-gil, Dongan-gu, Anyang-si, Gyeonggi-do, 14055 Republic of Korea
tel +82-70-7011-6161 fax +82-31-386-8631 e-mail sales@viewworks.com