

Direct Ring Series with High Power LED (15°)



Features

1. High Power LED. The brightness is at least ten times brighter than the general direct ring series

Major applications

1. Positioning for substrates and printed boards, inspection for chip components
2. Liquid crystal adjustment, plastic container inspection
3. IC impress inspection

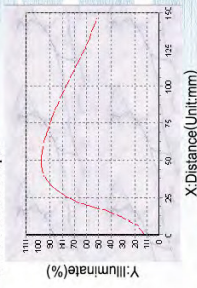
Model explanation

GL-DRC □□△△○

- External diameter of the ring
- △ Internal diameter of the ring
- Color

Luminous intensity distribution characteristics

GL-DRC7035 Graph



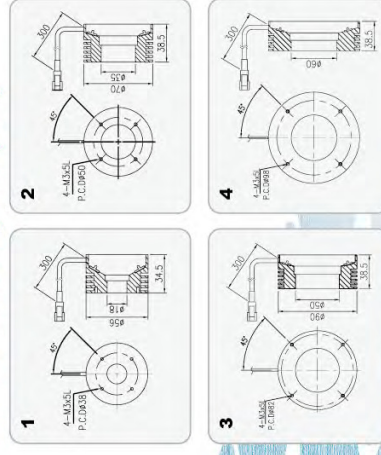
Illuminate Height: 1CM, 2CM, 5CM



Available Models

Model	Color	Power Consumption	Weight (g)	Dimension
GL-DRC5618R	●	12V/2.73W	130	1
GL-DRC5618WB/G	○	12V/5.33W		
GL-DRC7035R	●	12V/5.74W	212	2
GL-DRC7035WB/G	○	12V/7.49W		
GL-DRC9050R	●	12V/5.74W	324	3
GL-DRC9050WB/G	○	12V/7.33W		
GL-DRC12060R	●	12V/8.61W	621	4
GL-DRC12060WB/G	○	12V/8.78W		

Dimensional Diagrams(mm)



Low Angle Direct Ring Series



Features

1. 360° illumination from a low angle without reflection. Specially for slightly uneven surfaces and scratches
2. For FDR series, high illumination LEDs are horizontally mounted in a ring shape

Major applications

1. BGA solder ball position, shape and area inspection.
2. Inspection of wafers or glass substrates for scratches and stain.
3. Reading laser engraving
4. Edge detection and defect inspection

Model explanation

GL-LDR □□△△○

- Color
 - Internal diameter of the ring
 - External diameter of the ring
- GL-FDR □□△△○
- Color
 - Internal diameter of the ring
 - External diameter of the ring

Available Models

Model	Color	Power Consumption	Weight (g)	Dimension
GL-LDR4822R	●	12V/1.9W		
GL-LDR4822WB/G	○	12V/2.8W		
GL-LDR4822IR	●	12V/1.9W	47	1
GL-LDR4822R-24	●	24V/1.9W		
GL-LDR4822WB/G-24	○	24V/2.8W		
GL-LDR4822IR-24	●	24V/1.9W		
GL-LDR7448R	●	12V/3.9W		
GL-LDR7448WB/G	○	12V/5.8W		
GL-LDR7448IR	●	12V/3.9W	81	2
GL-LDR7448R-24	●	24V/3.9W		
GL-LDR7448WB/G-24	○	24V/5.8W		
GL-LDR7448IR-24	●	24V/3.9W		
GL-LDR10068R	●	12V/7.2W		
GL-LDR10068WB/G	○	12V/10.6W		
GL-LDR10068IR	●	12V/7.2W	140	3
GL-LDR10068R-24	●	24V/7.2W		
GL-LDR10068WB/G-24	○	24V/10.6W		
GL-LDR10068IR-24	●	24V/7.2W		
GL-LDR13296R-24	●	24V/10.6W	177	4
GL-LDR13296WB/G-24	○	24V/15.9W		
GL-LDR13296IR-24	●	24V/10.6W		
GL-LDR170134R-24	●	24V/13.5W	231	5
GL-LDR170134WB/G-24	○	24V/20.2W		
GL-LDR170134IR-24	●	24V/13.5W		