

# USB3.0 InGaAs NIR CAMERA

ARTCAM-TNIR series

## INSTRUCTION BOOKLET

0.32 M pixels    ARTCAM-032TNIR

0.08 M pixels    ARTCAM-009TNIR

**ARTRAY**  
ARTRAY CO., LTD.

## Contents

1. Attention	3
2. Introduction	6
3. Main Features	6
4. The Product	7
5. Connect the Camera	7
6. Specifications	8
7. Spectral sensitivity characteristics	9
8. External Dimensions	10
9. Optional function	11
10. Recommended PC	15

## 1. Attention

### ■ About this manual

1. Before using the camera, please read this manual thoroughly.
2. Please keep this manual reachable and always refer to the contents when needed.
3. Please contact us if the manual is lost or damaged. We will provide a replacement.
4. We cannot guarantee the safety of improper uses of the camera.
5. For your safety, please follow the directions of this manual.
6. All contents are subject to change.
7. Images in this manual may have been simplified to be easier comprehended.
8. Please contact us if you find any unclear points or mistakes in this manual.
9. Quoting, copying or altering some or all parts of the manual without our permission is prohibited.
10. We are not responsible for any lost or damages on your profits due to the use of our products.
11. Please understand that our oversea branches do not provide maintenance or repair services.

### ■ About the Icons

To keep the safety of the user, other people and their properties, please pay attention to the following icons.



**Warning**

If the user fails to follow the instruction, serious injury or death may occur.



**Caution**

If the user fails to follow the instruction, physical injury on human or damages on hardware may occur.

#### ■For Safe Use



## Warning

●In following circumstances, please stop using the product and turn off the power immediately to prevent the risks of fires and electric shocks. If the product is defective, please contact us for repair or exchange. For your safety, please do not disassemble, modify or repair the camera on your own.

Please stop using the product and turn off the power immediately when :

- The product becomes smoky or gets extremely hot on the surface, or makes unusual smells or sounds.
- Foreign material or water gets into the product.
- The product falls and becomes damaged.

●Do not place the product on unstable surfaces. The product may be fallen and people may get hurt.



## Caution

●Do not expose the product to steam or fumes to avoid electric shocks and fires.

●Do not leave the product in high temperature places such as inside of vehicles or under direct sunlight. High temperature may cause damages to the camera, or even cause fires.

●Do not cover the product with cloth or other materials. The product may get extremely hot and the heat may cause deformations on the parts or even cause fires.

●Please avoid dropping or shocking the product as the product may be damaged.

●Do not touch the cable with a wet hand. Such action may cause electric shocks.

●Please avoid continuously contacting the surface of the camera to your skin when the camera is being used. The surface temperature of the camera may cause burns.

#### ■Other Notices

●Please do not use the camera under strong lights such as sun light for a long period. Also please do not expose the camera under strong lights even when the product is not being used because the sensor might be damaged.

#### Maintenance

●Wipe the dirt on surface with soft cloth or tissue paper. Do not use alcohol, thinner or benzene to avoid damaging the surface paints.

#### ■Export Control

This product is a List Control item subject to the Foreign Exchange and Foreign Trade Act and its relevant legislations No.1 10 (2) and (4). To export this product from Japan, obtaining export licenses from the Ministry of Economy, Trade and Industry is required. It is also necessary for our company to manage the information of users and the purposes of use. If the end users or purposes of use change after the purchase and thus cause the need to apply export licenses from Ministry of Economy, Trade and Industry, please contact the sales representative in advance.

#### ■CE marking

This camera complies with CE marking certification.

This camera meets the criteria listed below.

EMC Directive, 2014/30/EU	EN55032:2012	Class A (industrial)
	EN55035:2017	
RoHS Directive, 2011/65/EU	EN50581:2012	
	Category 9 (industrial monitoring and control instruments)	

#### ■Guarantee

To save the environment, we do not issue warranty in printed format. Instead, all records of the warranty periods, delivery dates and the customer information are well kept in our system.

For more details, please refer to the sites below:

Hardware Warranty: [http://www.artray.us/download/artray\\_warranty.pdf](http://www.artray.us/download/artray_warranty.pdf)

#### ■Dispose

To dispose this product, please return the camera to us. If you decide to dispose the camera without returning it us, please follow related regulations and have the camera disposed as an industrial waste. Please always keep records of the dispose, and make sure the disposed camera cannot be accessed or used by any 3rd party.

#### ■Limited Responsibility

We do not guarantee the functions of this product or the descriptions on this manual to be completely adapted to the users' end applications or marketing purposes. We are also not held responsible for any direct or indirect damages caused by our products under any circumstances.

Please do not use this product on applications that require high reliability. This product is not manufactured to be used as medical, nuclear, aerospace, transportation equipment or equipment that is highly related to human safety. We are not held responsible for any damages on the users' property, equipment or personal safety caused by this product.

## 2. Introduction

ARTCAM-TNIR series include 2 kinds of NIR camera which adopts a 640 x 512 / 320 x 256 InGaAs (Indium gallium arsenide) sensor. The cameras have a high sensitive spectral response from 900 nm to 1700 nm.

ARTCAM-TNIR series adopts USB3.0 interface, so image data can be delivered to PC directly without a capture board. Also, this camera is equipped with an on board memory which avoid data missing during transfer.

## 3. Main Features

- NIR Detection with High Sensitivity

The InGaAs sensor can detect radiation invisible to human eyes and CCD/CMOS cameras in the wavelength range between 900 nm to 1700 nm band.

- High Resolution, High Frame Rate

ARTCAM-032TNIR uses a higher resolution sensor of 640 x 512 pixel and delivers image at maximum 62.28 frame/second

ARTCAM-009TNIR uses 320 x 256 pixel sensor and delivers high-speed imaging maximum 228.1 frame/second.

- USB3.0 Interface

This camera adopts USB3.0 interface, so the data can be delivered to PC directly. No capture board is needed.

- InGaAs Camera Viewer Software

The camera comes with ArtMeasure the bonded viewer software (Windows XP/Vista/7/8). With this software, users can easily preview images, save images and change camera settings.

- Software Development Kit

For customer who prefers to create their own image processing software or use our camera with other applications, we provide SDK upon requests.

- NTSC / PAL

Analog output in NTSC / PAL system is possible.

## 4. The Product

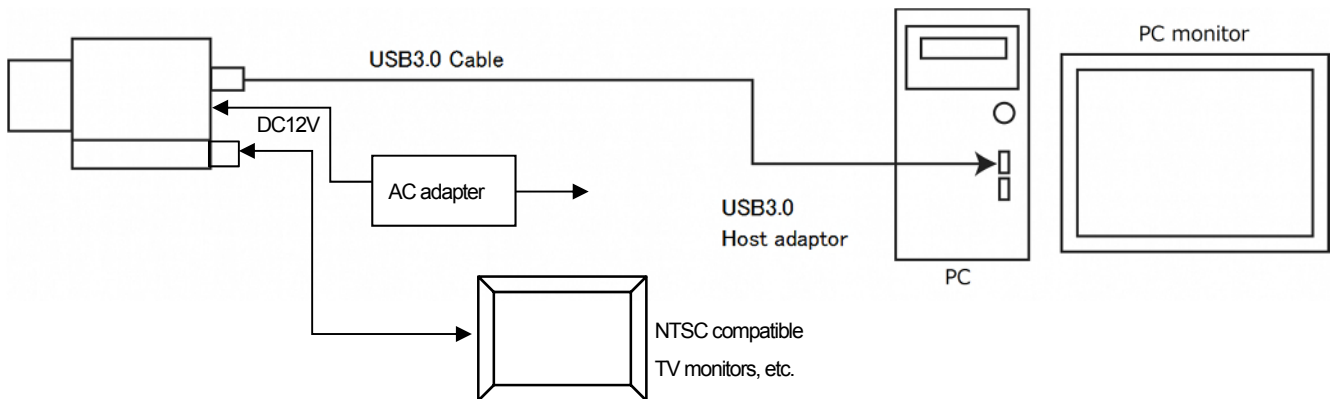
- 1) Camera
- 2) USB3.0 Cable Type A-microB connector cable, 3m approx.
- 3) AC adapter (DC12V)
- 4) Introduction Booklet
- 5) Special viewer software/Device Driver CD
- 6) Software Development Kit, ARTCCM-SDK

<Options>

- 1) NIR Lenses (C Mount Lens)

## 5. Connect the Camera

### 5-1 How to connect a camera



### 5-2 Shutter Speed

The shutter speed can be set with standard viewer software.

Model	Method
ARTCAM-032TNIR	Range : 0~10000(Exposure Time : 1/1,000,000~1sec) Exposure Time=Shutter Value x 100 [μsec] * When setting is 1 [μsec]
ARTCAM-009TNIR	Range : 0~10000(Exposure Time : 1/1,000,000~1sec) Exposure Time=Shutter Value x 100 [μsec] * When setting is 1 [μsec]

## 6. Specifications

	ARTCAM-032TNIR	ARTCAM-009TNIR
Sensor Type	InGaAs Image Sensor	
Number of effective pixels	640(H)x512(V)	320(H)x256(V)
Resolution	640(H)x512(V)	320(H)x256(V)
Active Imager Size	12.8(H)x10.24(V)mm 1"	6.4(H)x5.12(V)mm 1/2"
Scan Mode	Progressive Scan	
Pixel Size	20(H)x20(V) $\mu$ m	
Detected Wavelength	900~1700nm	
Operability	$\geq$ 99.63%	
Shutter Type	Rolling Shutter / Global Shutter (Be available to change before shipping. The standard is Global Shutter.)	
Frame Rate	62.28fps	228.1fps
Shutter Speed	1/1000000 ~ 1sec	
Detectivity	0.8 AW	
Full Well Capacity	1100Ke-	1100Ke-
A/D Resolution	14bit	
Interface	USB3.0 Bulk Transfer / NTSC Video Output	
Synchronization System	Internal Synchronization / External Trigger Synchronization	
Lens Mount	C Mount	
External I/O terminal	HR10A-7R-6S(73) (HIROSE)	
Power	DC12V	
Power Consumption	Under Approx.10W	
Ambient Conditions	Operating Temperature/Humidity : 0~35°C/10~80%(Non condensing)	
	Storage Temperature/Humidity : 0~60°C/10~95%(Non condensing)	
External Dimensions	71.6(W)x61.5(H)x67(D)mm *Lens, tripod and cables not included	71.6(W)x61.5(H)x67(D)mm *Lens, tripod and cables not included
Weight	About 302 g	About 302 g

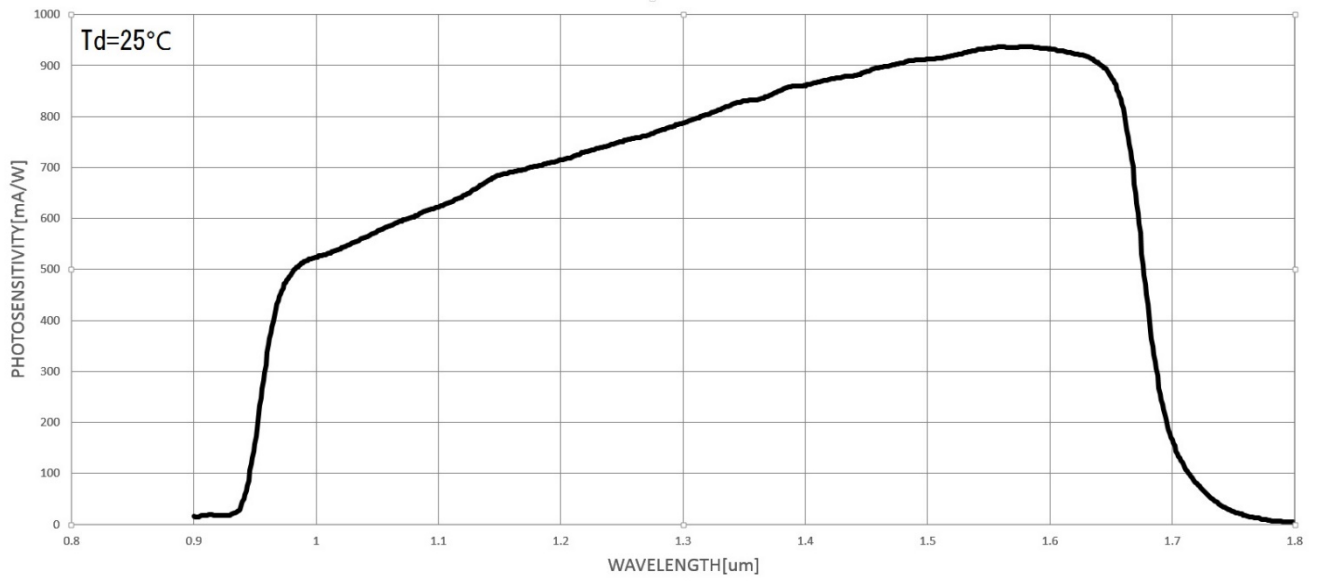
Depending on lens you use, our product might not reach the best condition and problems, such as the low resolution and lightness, might occur.

Please consult our sales representative for the recommended lenses.



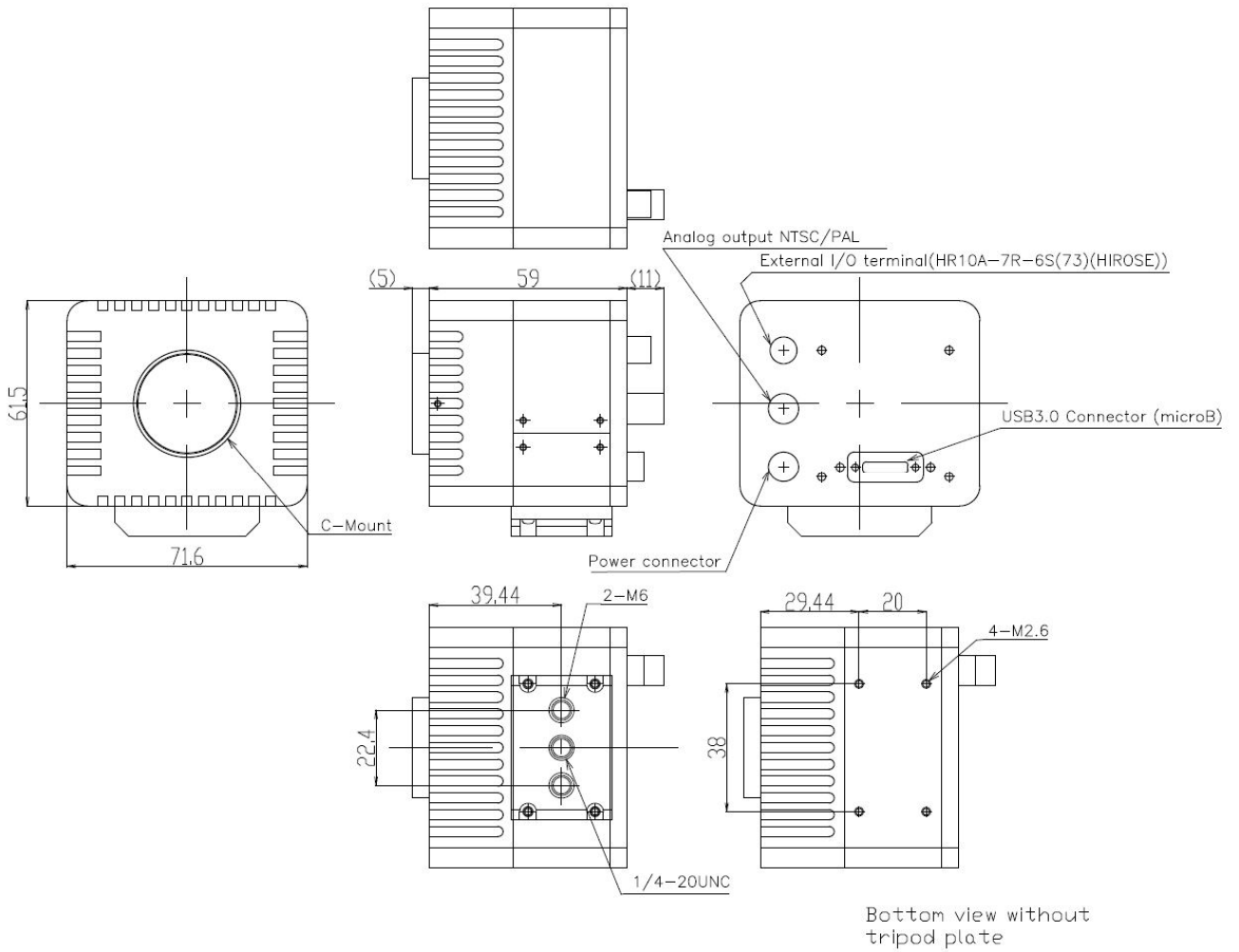
## 7. Spectral sensitivity characteristics

### 7-1 ARTCAM-032TNIR/ARTCAM-009TNIR



## 8. External Dimensions

### 8-1 ARTCAM-032TNIR/ARTCAM-009TNIR



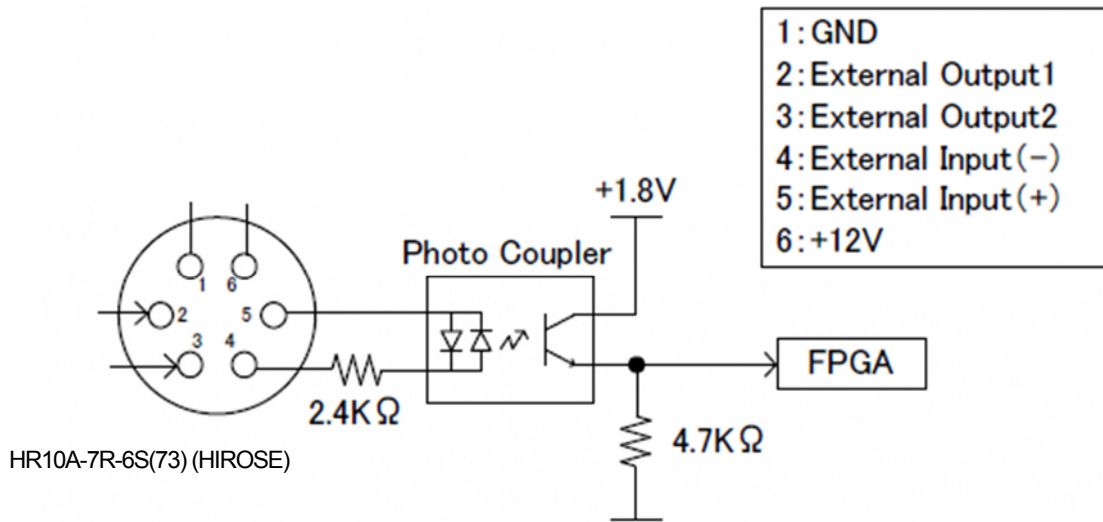
※ Specifications are subject to change.

## 9. Optional Functions

### 9-1 External trigger function

ARTCAM-TNIR series are designed with external trigger.

(Following input circuit diagram applies to 032TNIR, 009TNIR)

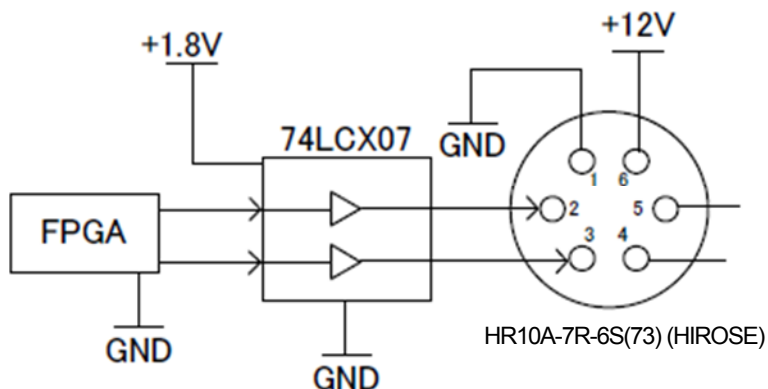


※ The connector pin assignment is subject to change.

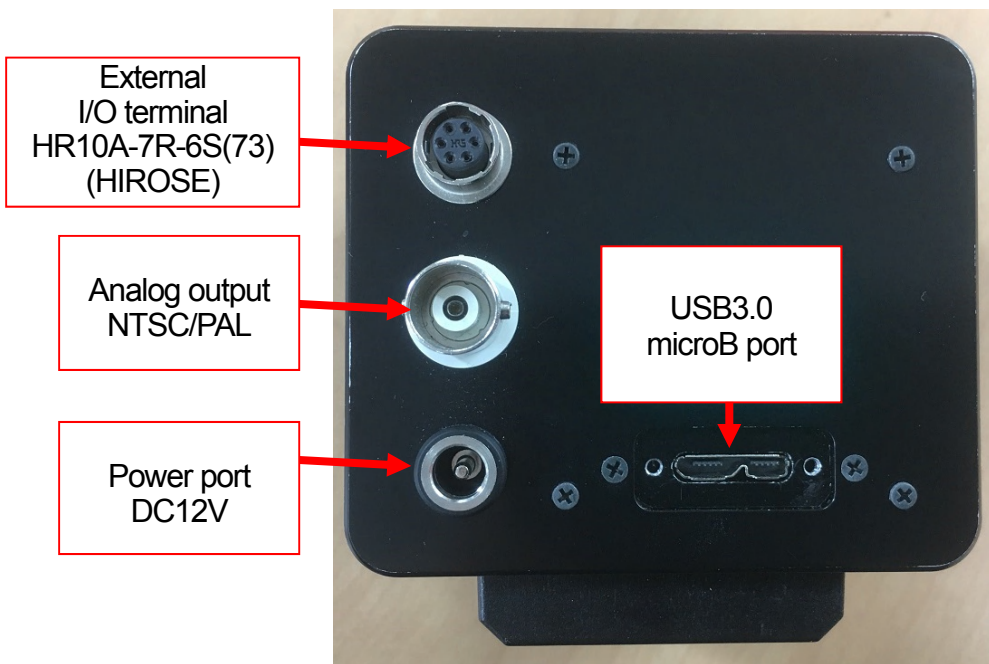
### 9-2 External output function

You can use the external output function by factory option.

It is possible to output and monitor the vertical synchronization, horizontal synchronization, exposure time etc controlled inside the FPGA.

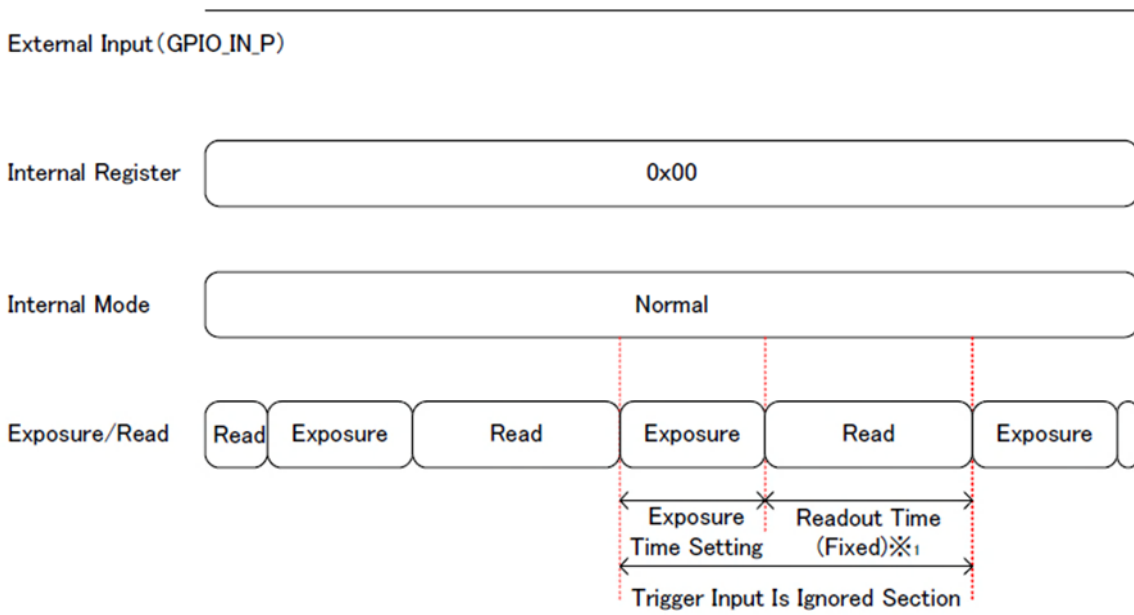


9-3 Each terminal information on the back of the camera

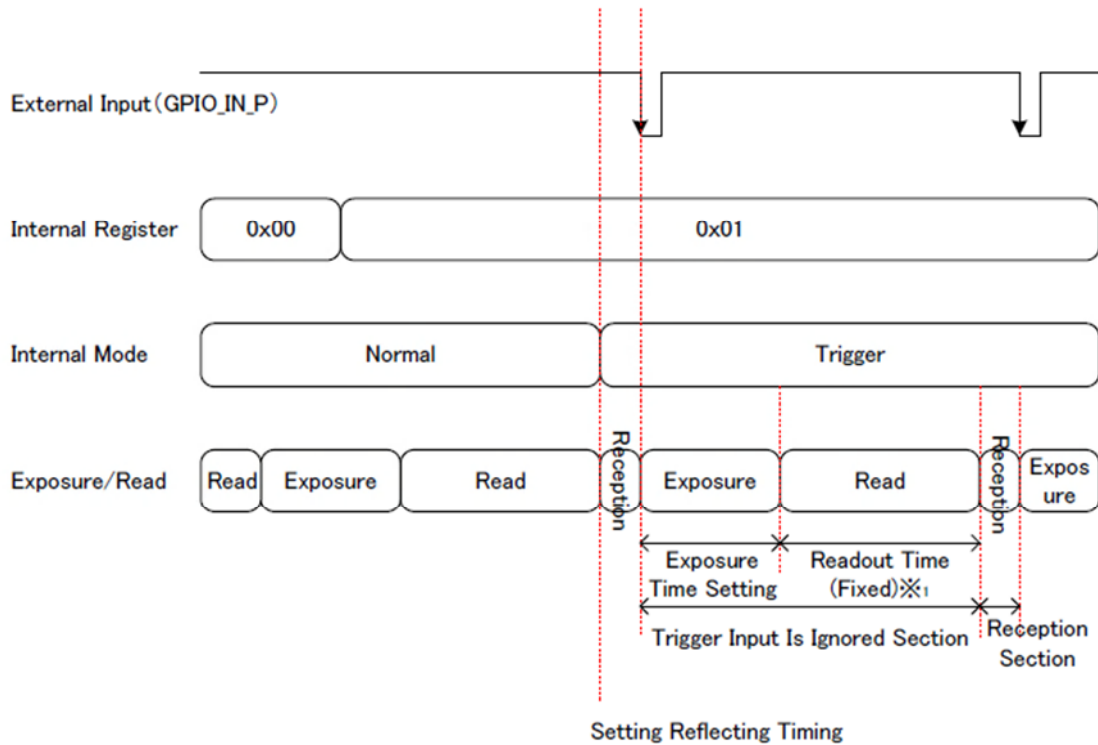


## 9-4 Trigger - Timing Diagram

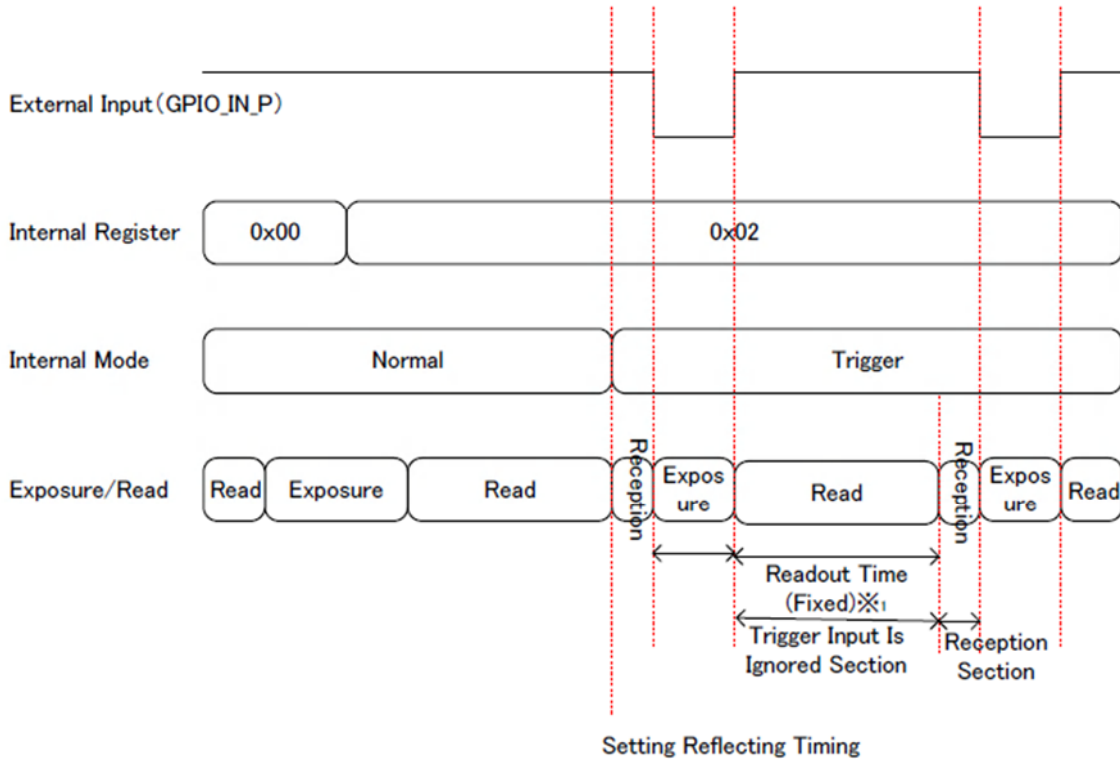
### 1. Normal Mode



### 2. External Trigger Mode (FIX Exposure)



### 3. External Trigger Mode (Pulse Width Exposure) (option)



※ For details on how to use please contact us.

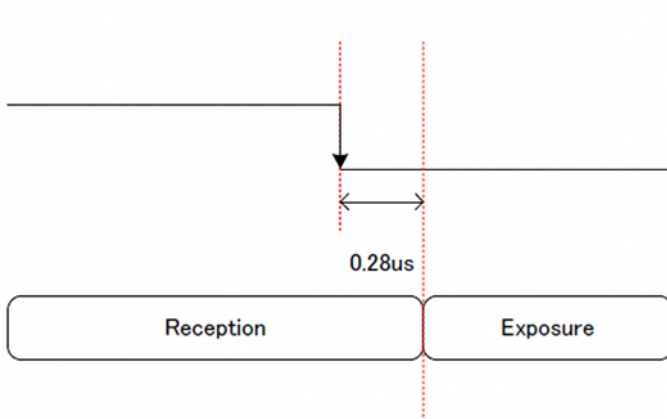
※<sub>1</sub>: The readout time is fixed depending on the model.

$$032TNIR = (5.76\mu s + (0.16\mu s \times 160)) \times 512 + 0.24\mu s = 16056.56\mu s$$

$$009TNIR = (4.32\mu s + (0.16\mu s \times 80)) \times 256 + 0.24\mu s = 4382.96\mu s$$

※<sub>2</sub>: The polarity of external input signal can be set register bit.

The delay time between falling edge and exposure start



## 10. Recommended PC

### 10-1 Recommended System Requirements

- Intel chip set, Southbridge above ICH6
- CPU: Intel Core i7 6700 or higher
- Memory:  $\geq 1024\text{MB}$
- OS:  $\geq$ Windows 7

### 10-2 Minimum System Requirements

- USB3.0 Enhanced Host Controller
- CPU: Intel Core i5 4590 or higher
- Memory:  $\geq 512\text{MB}$
- OS:  $\geq$ Windows 7



## Caution

■Please refer the restrictions below when you use ARTCAM.

### (1) USB3.0 cable Extension

We cannot guarantee the functionality of the USB3 camera if the user adopts USB3.0 extension cables or repeaters which are not confirmed by us. With the extension cables or repeaters, the bandwidth of transfer may differ, and thus caused malfunctions such as a low frame rate or recognition failure on the camera.

What may cause the problem is that the regulation of the power lines becomes not enough, and so causes impedance mismatch on data signals.

\*For the recommended extension cable, please contact our sales department. (TEL: +81-3-3389-5488)

ARTRAY CO., LTD. Obtained ISO 9001: 2015 2018/9/17

1-17-5 Kouenjikota, Suginami-ku, Tokyo 166-0002 Japan

Tel: +81-3-3389-5488 Fax: +81-3-3389-5486

Email: sales@artray.us URL: www.artray.us