

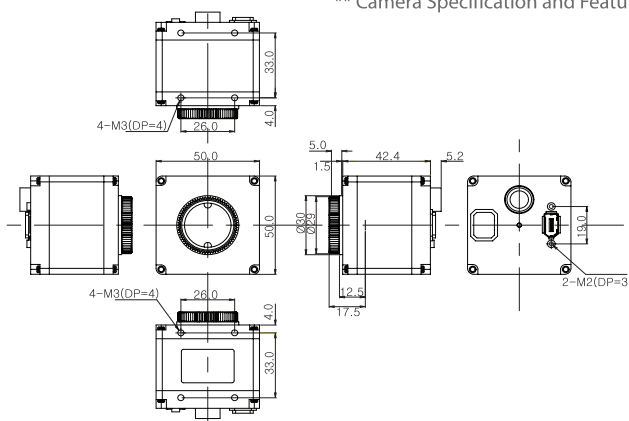
The NILE Series is comprised of Sony Digital Area Scan CCD Cameras with a FireWire Interface and an external trigger for the most demanding industrial machine vision applications. NILE series cameras provide excellent image quality, color rendition and a compact form factor, which afford versatility when space and weight are important considerations of an application. The IMX-5120FT camera in particular has excellent spectral sensitivity for broad-spectrum illumination. The Nile cameras are also among the few digital cameras that support an Auto Iris under DC control. The NILE cameras offer you a wide selection of characteristics while supporting all the latest features, and built in Auto Iris support.



Specification	IMx-5200FT	IMx-5145FT	IMx-5140FT	IMx-5120FT	IMx-5080FT	IMX-5040FT
Image Sensor	1/1.8" CCD ICX274 AL/AQ	2/3" CCD ICX285 AL/AQ	1/2" CCD ICX267 AL/AK	1/3" CCD ICX445 AL/AQ	1/3" CCD ICX204 AL/AK	1/3" CCD ICX424 AL/AQ
Picture Size	1600(H) x 1200(V)	1388(H) x 1040(V) (*1388(H) x 1036(V))	1388(H) x 1040(V) (*1388(H) x 1036(V))	1292(H) x 960(V)	1024(H) x 768(V)	640(H) x 480(V)
Data Path	12bit , Raw RGB, YUV422, Mono 8, Mono 16					
Pixel Size	4.40 x 4.40 μ m	6.45 x 6.45 μ m	4.65 x 4.65 μ m	3.75 x 3.75 μ m	4.65 x 4.65 μ m	7.40 x 7.40 μ m
Max FPS / Max Res.	16 fps	20 fps	20 fps	22 fps	36 fps	86 fps
Scanning System	Progressive Scan					
Binning	2x2, 1x2	2x2, 1x2 (*Color :Not Supported)				
Format7	Partial Scan (Unit : 4x4)					
Trigger	Edge	Rising Edge or Falling Edge Photo-Coupler				
	Mode	Mode 0, 1, 2, 3, 4, 5, 14, 15				
	Source	External Trigger or Software Trigger				
Strobe Output	Active Low or High, Support Normal Mode or Trigger Mode Photo-Coupler					
Memory Save/Load	16 Channels(0:factory, 1~4:feature, 5~15:mode/feature)					
SIO(RS-232)	IIDC Ver.1.31 : Pass through or IMI-Tech Command					
Digital Interface	IEEE 1394.a (6pin) 1 Port					
Transfer Rate	400 Mbps					
Shutter Speed	Manual or Auto / Range : 1 μ sec ~ 3600 sec					
Gain Control	0 ~ 18 dB Manual or Auto					
S/N Ratio	56 dB or better					
Control Function	Brightness, Sharpness, Gamma, Auto-Exposure, Auto Shutter, Auto Gain, Pan/Tilt, User defined AE, Hue, Saturation *Auto White Balance, IRIS (Auto/Manual DC Control)					
Lens Mount	C / CS Mount					
External Dimension	40(W) x 40(H) x 37(D) mm / approx. 100 gram					

** Camera Specification and Features are subject to change without notice for improvement.

* for Color Models



Major Features

- Auto Iris (DC Control) in Compact Size
- Hardware YUV / Auto White Balance
- External Trigger support
- Multi Camera Auto Sync support
- One shot and Multishot / Frame Save
- SIO Pass through and Strobe support
- Partial Scan and Binning support
- 4 Point LUT and User Defined LUT

