

The PEARL Series is a revolutionary camera in terms of integrating all the electronics into a near one inch cube form factor without eliminating features. Further reduction is limited by the size of the C Mount.

PEARL's Ultra Compact form factor and 2.1 oz (60 gm) make it ideal for application where the camera must move and the weight and size are critical.



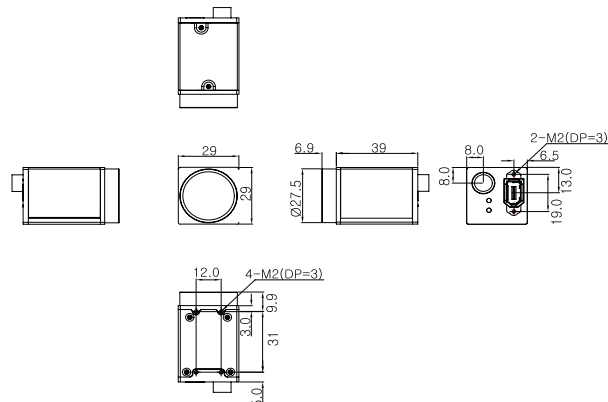
Specification	IMx-20FT	IMx-17FT	IMx-16FT	IMx-15FT	IMx-12FT	IMx11FT
Image Sensor	1/1.8" CCD ICX274 AL/AQ	1/2" CCD ICX267 AL/AK	1/3" CCD ICX445 AL/AQ	1/3" CCD ICX204 AL/AK	1/2" CCD ICX414 AL/AQ	1/3" CCD ICX424 AL/AQ
Picture Size	1600(H) x 1200 (V)	1388(H) x 1040(V) (*1388(H) x 1036(V))	1292(H) x 960(V)	1024(H) x 768 (V)	640(H) x 480(V)	640(H) x 480(V)
Data Path	12bit , Raw RGB, YUV422, YUV 4:1:1, Mono 8, Mono 16					
Pixel Size	4.40 x 4.40 μm	4.65 x 4.65 μm	3.75 x 3.75 μm	4.65 x 4.65 μm	9.90 x 9.90 μm	7.40 x 7.40 μm
Max FPS / Max Res.	16 fps	20 fps	25 fps	36 fps	86 fps	86 fps
Scanning System	Progressive Scan					
Binning	2x2, 1x2	2x2, 1x2 (only for B/W Models)				
Format7	Partial Scan (Unit : 4X4)					
Trigger	Edge	Rising Edge or Falling Edge TTL				
	Mode	Mode 0, 1, 2, 3, 4, 5, 14, 15				
	Source	External Trigger or Software Trigger				
Strobe Output	Active Low or High, Support Normal Mode or Trigger Mode (TTL)					
Memory Save/Load	16 Channels(0:factory, 1~4:feature, 5~15:mode/feature)					
SIO(RS-232)	IIDC Ver.1.31 : Pass through or IM-TECH Command					
Digital Interface	IEEE 1394.a (6pin) 1 Port					
Gain Control	0 ~ 18 dB (Manual or Auto)					
Shutter Speed	1 μsec ~ 3600 sec					
S/N Ratio	56 dB or better					
Control Function	Brightness, Sharpness, Gamma, Auto-Shutter, Auto Gain, Pan/Tilt, *Auto White Balance, User defined AE					
Lens Mount	C / CS Mount					
External Dimension	29(W) x 29(H) x 39(D) mm / approx. 60 gram					

\*\* Camera Specification and Features are subject to change without notice for improvement.

\* for Color Models

## Major Features

- CCD Image Sensor
- Ultra Compact Form Factor ( 29 x 29 x 39 mm)
- Hardware YUV / Auto White Balance
- External Trigger support
- Multi Camera Auto Sync support
- One shot and Multishot
- SIO Pass through and Strobe support
- Partial Scan and Binning support
- Frame Save
- 4 Point LUT and User Defined LUT support



**imi**  
IMI TECHNOLOGY