

MetaLight™ Diffuse Dome Light

Model#: DL101



- Patent-pending LED heat management for consistent performance
- High intensity and uniform, non-directional illumination across entire lighting hemisphere for area scan
- Ideal for highly reflective surfaces and textured or topographic objects
- Provides cloudy day illumination, minimizing shadows and glare
- Enclosed workspace blocks interference of ambient light
- Optical grade reflector coating reflects 99.9% of light for optimum diffused output
- Strobe & dimming options
- Mounting: Comes with mounting studs

Specifications:

Current Consumption	0.2A
Housing	Aluminium
Finish	Powder Coated Black
Intensity Uniformity	+/-5%
Operating Temperature	120° F Max
Illuminance	63,000 Lux
Compliance	CE/RoHS
Lifetime Hours	75,000 Hours

Wiring Diagram

Flying Leads	Function
RED	+24VDC
BLACK	Ground
WHITE	0 ~ 10V
GREEN	Signal Ground

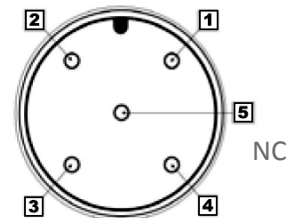
24 AWG 4 WIRES CABLE X 1
When not using intensity control, connect 0-10V control line to +24 (Max Intensity Control = 25V) and intensity control ground to ground

Active Area Dimensions Camera Aperture

1.5" I.D.	1.7in x 3.85in	.75in
38.1mm I.D.	43mm x 97.7mm	19.05mm

M12 Connector

PIN #	Function
1	+24VDC
3	Ground



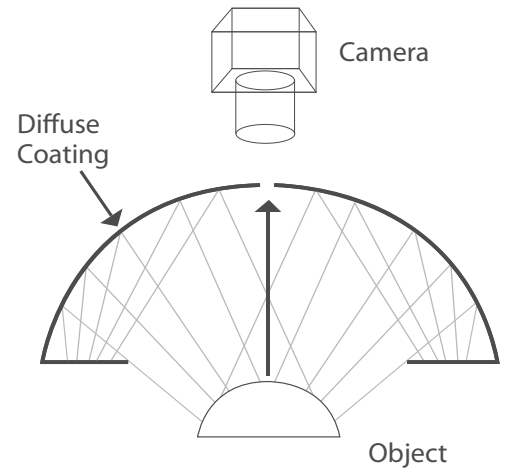
ORDERING INFORMATION:

• D L 1 0 1 - - 2 4 -

W	White 6000k	*BLANK	10 ft. Flying Leads
R	Red 630nm	T	M12 Quick Disconnect
G	Green 530nm	ILD	In Line Dimmer
B	Blue 455 nm	ILS	In Line Strobe (customer provide trigger info)
IRN	Infrared 850nm		
RGB	625/530/455nm		

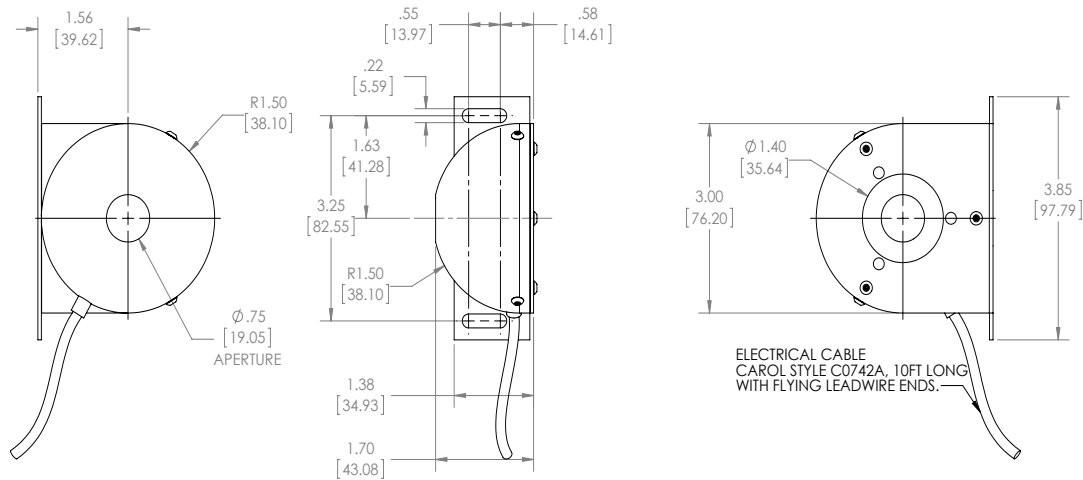
MetaLight™ Diffuse Dome Light

Model#: DL101



Drawing

REVISIONS				
ZONE	REV.	DESCRIPTION	DATE	APPROVED
	B	REVISED AND REDRAWN, KW	6/1/2011	



PROPRIETARY AND CONFIDENTIAL
THE INFORMATION CONTAINED IN THIS DRAWING IS THE SOLE PROPERTY OF <INSERT COMPANY NAME HERE>. ANY REPRODUCTION IN PART OR AS A WHOLE WITHOUT THE WRITTEN PERMISSION OF <INSERT COMPANY NAME HERE> IS PROHIBITED.

UNLESS OTHERWISE SPECIFIED:	NAME	DATE	METAPHASE TECHNOLOGIES, INC.
DIMENSIONS ARE IN INCHES	DRAWN	KW	6-1-11
TOLERANCES:	CHECKED		
FRACTIONAL ±	ENG APPR.		
ANGULAR: HATCH ± BEND ±	MFG APPR.		
TWO PLACE DECIMAL ±	Q.A.		
THREE PLACE DECIMAL ±	COMMENTS:		
INTERPRET GEOMETRIC TOLERANCING PER MATERIAL			
FINISH			
APPLICATION	DO NOT SCALE DRAWING		

TITLE: DOME LIGHT®
1.4 ID X 3.0 OD

SIZE DWG. NO. REV
B DL101 B

SCALE: 1: 1.5 WEIGHT: SHEET 1 OF 1

R:\Metaphase Technologies\K. Whittaker\DOMELIGHTS\DL101, 1.4 INCH ID X 3 INCH OD\