

Metalight™ Diffuse Dome Light

Model#: DL201



- Size: 1.9" I.D.; 4" O.D.
- Patent-pending LED heat management for consistent performance
- High intensity and uniform, non-directional illumination across entire lighting hemisphere for area scan
- Ideal for highly reflective surfaces and textured or topographic objects
- Provides cloudy day illumination, minimizing shadows and glare
- Enclosed workspace blocks interference of ambient light
- Optical grade reflector coating reflects 99.9% of light for optimum diffused output
- Strobe & dimming options
- Mounting: Comes with mounting studs

Specifications:

Current Consumption	0.3A
Housing	Alluminum
Finish	Powder Coated Black
Intensity Uniformity	+/-5%
Weight	
Operating Temperature	120° F Max
Compliance	CE/RoHS
Lifetime Hours	80,000 Hours

Wiring Diagram

Flying Leads	Function
RED	+24VDC
GREEN	Signal Ground

24 AWG 4 WIRES CABLE X 1
When not using intensity control, connect 0-10V control line to +24 (Max Intensity Control = 25V) and intensity control ground to ground

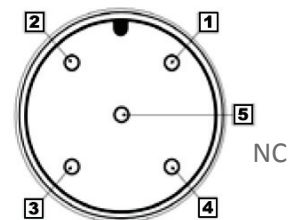
Active Area

Dimensions

1.9" O.D. 4.0" O.D.

M12 Connector

PIN #	Function
1	+24VDC
3	Ground

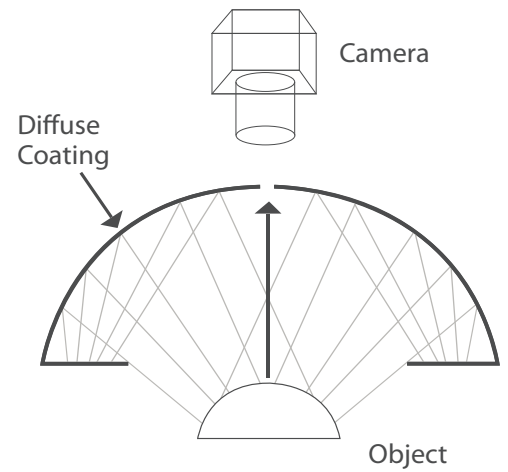


ORDERING INFORMATION:

• DL201 - - 24 -

W	White 6000k	* BLANK	10 ft. Flying Leads			
R	Red 630nm			M12 Quick Disconnect		
G	Green 530nm				In Line Dimmer	
B	Blue 455 nm					In Line Strobe (customer provide trigger info)
IRN	Infrared 850nm					
RGB	625/530/455nm					
T						
ILD						
ILS						

Metalight™ Diffuse Dome Light Model#: DL201



Drawing

