

MB-OLL

The Metaphase Oblique Line Light is designed with unique angled LEDs to project light at a 20-degree angle. The angled light makes the OLL great for creating a dark field/off-axis effect for line scan and area scan applications or for wrinkle detection. Using high output LED technology, the Oblique Line Light produces high intensity lighting needed for high-speed imaging.



FEATURES

- 20° angled LED and illumination
- Works for line and area scan applications
- Active cooling for high intensity
- Short side plates and clear end cap for greater efficiency and more usable light
- Built-in constant current driver with 0-10V Intensity Control
- Narrow housing profile for greater mounting flexibility

APPLICATIONS

- For line scan and narrow FOV area scan applications
- Wrinkle detection
- Dark field
- Cross machine detection
- Fabric Inspection

WAVELENGTHS

Order ID	Description / nanometers
W	White (6000K), Nominal
R	Red / 630nm
G	Green / 530nm
B	Blue / 470nm
IR850	Infrared / 850nm
IR880	Infrared / 880nm
IR940	Infrared / 940nm
UV365	Ultraviolet Short / 365nm
UV395	Ultraviolet Long / 395nm

GENERAL SPECIFICATIONS

Power Source:	24VDC ±5%
Cable (Standard):	10-foot cable with flying leads
Housing:	Black Anodized Aluminum
Ambient Temp:	-20°C to 40°C
Lifetime Expectancy:	75,000 hours (except UV)

MB-OLL

Oblique Line Light				Cable		Typical Current (Amps) @24VDC				
MODEL*	Overall Length Inches / cm	Lens Length Inches / cm	Weight ±10% lbs/Kg	Quantity	Length ft	AWG/ Conductors	Visible (White, Red, Green, Blue)	IR	UVS	UVL
MB-OLL306	10.94 / 27.80	10.86 / 27.59	4.0 / 1.8	1	10ft	18/4	1.5 amps	2.0A max	2.6A max	2.4A max

*Contact Metaphase for other sizes and cutomizations.

Wiring (4 conductors, flying leads)**	
Wire Color	Function
RED	+24VDC
WHITE	0-10VDC INTENSITY CONTROL
BLACK	GROUND (24V RTN)
GREEN	SIGNAL GROUND

M12 (5 position male)**	
Pin #	Function
1	+24VDC
2	0-10VDC Intensity Control
3	GROUND (24V RTN)
4	SIGNAL GROUND
5	No Connection

The M12 connector option is not recommended for lights rated more than 4 amps

ULC-2 Wiring	
Wire Color	Function
RED, WHITE (+)	LED INPUT
BLACK, GREEN (-)	

Terminated within a 2 position ULC-2 output connector (Phoenix Contact P/N: BCP-508-2)

**Note: The 0-10VDC Intensity Control input can accept voltages from 0-24VDC where the light will operate at full intensity in the 10-24VDC range. The light is proportionally dimmer for any Intensity Control voltage less than 10VDC and the light is OFF at approximately 0V or not connected (floating).

MB-OLL

PART NUMBER KEY											
MODEL	LENGTH ID (inches)	-	WAVELENGTH	-	DRIVER* (most common)	-	LED ANGLE	-	CABLE LENGTH	-	CONN.** (most Common)
MB-OLL	XXX	-	XXXXX	-	XXX-XXXXXX	-	XXX	-	XXX	-	XXXX
MB-OLL	306 to 2707		W (White 6000K, Nominal) R (Red 630nm) G (Green 530nm) B (Blue 470nm) IR850 (Infrared 850nm) IR940 (Infrared 940nm) UV365 (UV Short 365nm) UV395 (UV Long 395nm)		24Z 24NZ 24-ILD U¹		A10 (10°) Select or leave blank for 20°		5M 10M Length can be customized: ex.7M=7meters Select or leave blank for 3 meters		M12D^{1 2} BC^{1 3} Select or leave blank for flying leads
Example 1: MB-OLL306-W-24Z Example 2: MB-OLL306-G-24Z-A10					¹ Not available in lights exceeding 4A input current ² Default cable length for an M12D connector is 19 inches ³ Default cable length for a Barrel Connector is 10 feet						

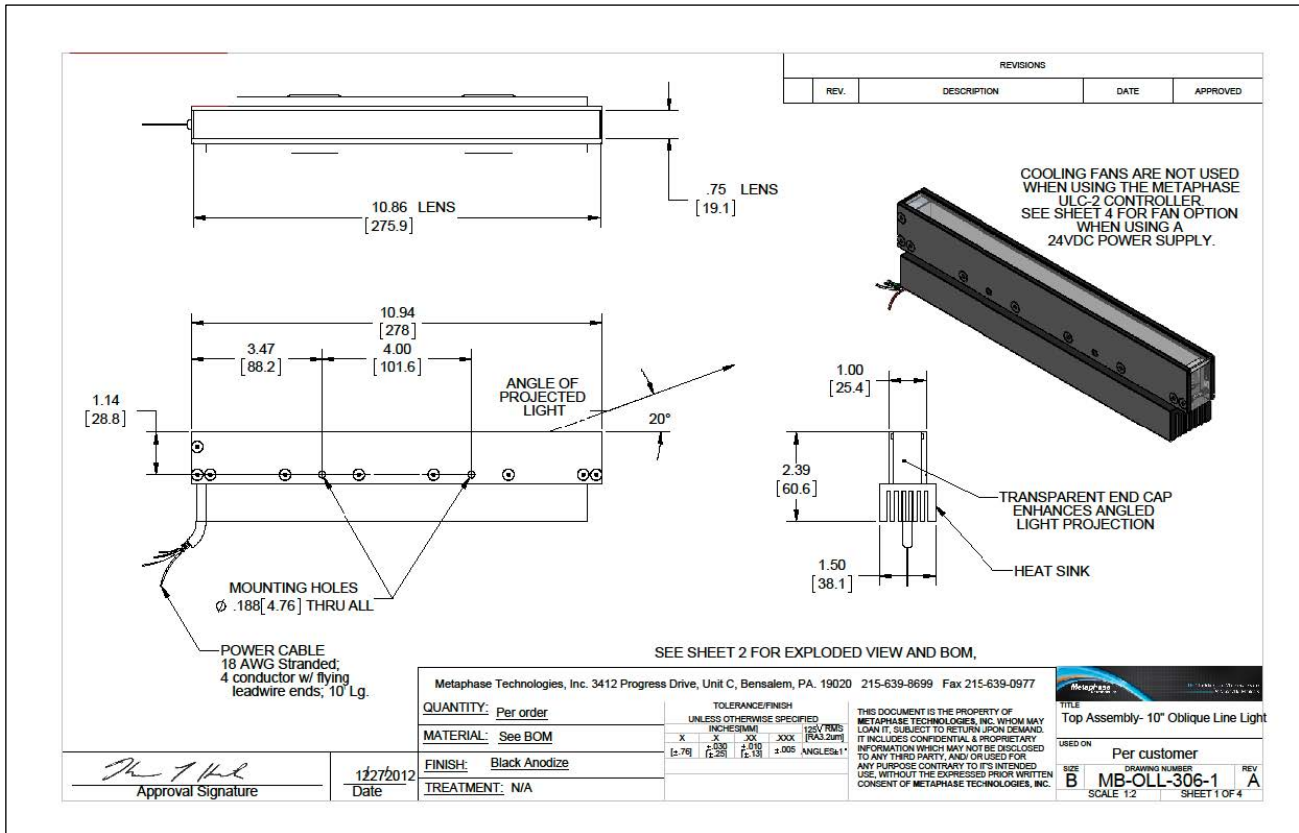
Contact Metaphase Technologies or your local representative for options such as custom diffusers, lenses, polarizers, IP-rated enclosures for harsh environments, higher intensity, custom wavelengths, higher uniformity, etc. Not all options are available for all lights.

*(Link to Driver Options Key)

** (Link to Connector Key)

MB-OLL

Sample Model Number: **MB-OLL306-W-24Z**



COMPLIANCE



CONTACT US

Contact Metaphase Technologies at **215-639-8699** or your local representative for additional details, options and customizations.