

MetaBright™ Adjustable Focus
Mini-Spot Light
Model#: MB-AFSL105



- ENVIRONMENTALLY FRIENDLY
- ECONOMICAL
- THERMAL MANAGEMENT TECHNOLOGY
- CAST ROUND SPOT AT NICKEL DIAMETER
- FOCUSABLE 4" TO 7" AWAY
- TIGHT BEAM
- BUILT IN 24V DRIVER
- 3 LENS RELAY WITH COATED OPTICS

Active Area	Dimensions
ϕ 0.97in ϕ 9.32mm	L: 2.42in / 61mm W/H: ϕ 2.28 / 32.44mm

Specifications:

Current Consumption	0.5A @ 24VDC
Finish	Black Anodized
Color Temperature	6600K
Weight	0.5lbs / 226g
Operating Temperature	-30°C - +60°C
Illuminance	18,000 Lux
Compliance	CE/RoHS/IP67/NEMA 4x
Lifetime Hours	75,000 Hours

Contact Us:

Contact your Metaphase Technologies Representative for options including: Filter Options, Power Options, & Wavelength.

ORDERING INFORMATION:

• MB - A F S L 1 0 5 -	<input type="checkbox"/>	- 2 4 -
W		White 6000k
R		Red 630nm
B		Blue 455nm
G		Green 530nm
IR		Infrared 850nm
UVL		UV Long 395nm
UVS		UV Short 365nm

MetaBright™ Adjustable Focus
Mini-Spot Light
Model#: MB-AFSL105

MetaBright™ Sensor Bracket

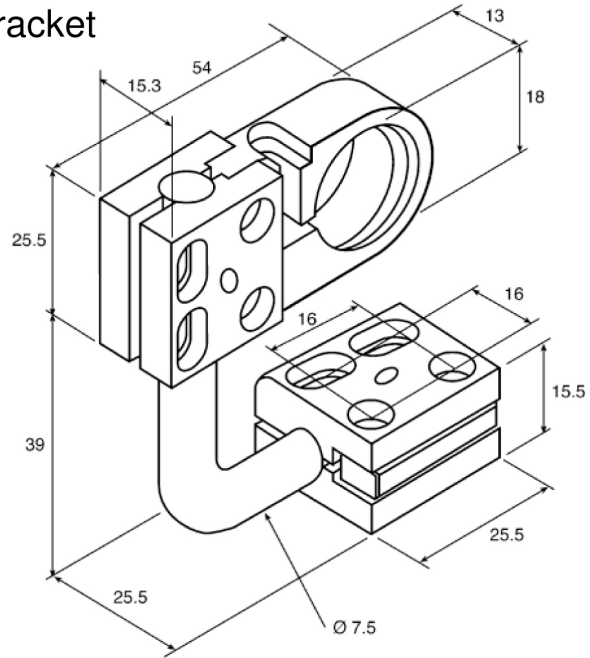
Accessory Data Sheet



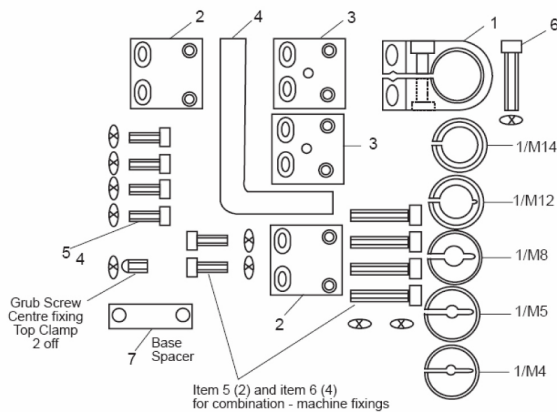
View 1



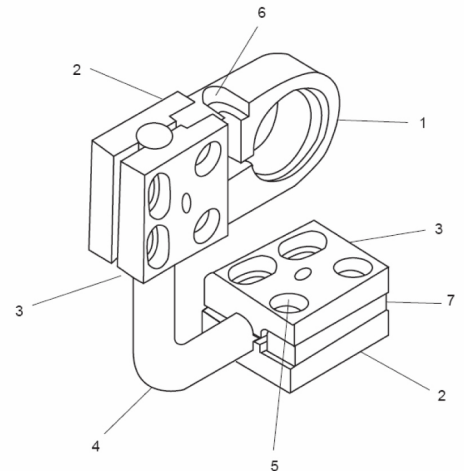
View 2



PART#: MBSB-30: For MBAFSL & LED Engine - 30mm Diameter Clamping Ring



ITEM	DESCRIPTION
1	SENSOR CLAMPS
1/M14-1/M4	
2	BOTTOM CLAMPS
3	TOP CLAMPS
4	PIVOT PIN
5	M4 x 10 SCREWS
6	M4 x 20 SCREWS
7	BASE SPACER



Materials specification:

All Plastic parts: Nylon 66
All bolts and nuts: Zinc plates mild steel
'L' shaped pin: Zinc plated mild steel

MetaBright™ Adjustable Focus Mini Spot-Light

Model#: MB-AFSL105

24VDC Operation

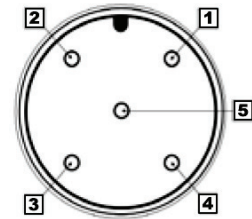
Flying Leads	Function
RED	+24VDC
BLACK	Ground
WHITE	+24VDC
GREEN	Ground

0-10V Dimming Control Only

Flying Leads	Function
RED	+24VDC
BLACK	Ground
WHITE	0~10V
GREEN	Signal Ground

M12 Connector

PIN #	Function
1	+24VDC
2	0-10VDC Intensity Control
3	Ground
4	Signal Ground



Drawing/Diagram

#4-40 UNC X .3 DP.
(2) PLACES
ON A 1.09 Ø B.C.

2.42 [61.39]

Ø 1.28 [32.44]

ADJUSTMENT SCREW #2-56

Ø .63 [15.88]

Ø .37 [9.32]
LENS APERTURE

REVISIONS

ZONE	REV.	DESCRIPTION	DATE	APPROVED
	A	REVISED AND REDRAWN, KW	2/11/2011	
	B	REVISED DRAWING, KW	5/17/2012	

NOTES: UNLESS OTHERWISE SPECIFIED

- FINISH: BLACK ANODIZED HOUSING.
- 10 FT CABLE PROVIDED.
- OPTIONAL HOLDING BRACKET- AB3-30.

PROPRIETARY AND CONFIDENTIAL
THE INFORMATION CONTAINED IN THIS DRAWING IS THE SOLE PROPERTY OF METAPHASE TECHNOLOGIES, INC. ANY REPRODUCTION IN PART OR AS A WHOLE WITHOUT THE WRITTEN PERMISSION OF METAPHASE TECHNOLOGIES, INC. IS PROHIBITED.

UNLESS OTHERWISE SPECIFIED:	NAME	DATE
DIMENSIONS ARE IN INCHES	KW	2-11-11
TOLERANCES:		
FRACTIONAL ±		
ANGULAR: UNLESS OTHERWISE SPECIFIED		
TWO PLACE DECIMAL ±		
THREE PLACE DECIMAL ±		
INTERFERE GEOMETRIC TOLERANCING PER		
MATERIAL		
FINISH		
NEXT ASSY	USED ON	
APPLICATION	DO NOT SCALE DRAWING	

METAPHASE TECHNOLOGIES, INC.	
TITLE: SPOTLIGHT ADJUSTABLE FOCUS	
SIZE DWG. NO. B AFSL105 ^(A)	REV B
SCALE: 1:4	WEIGHT: SHEET 1 OF 1