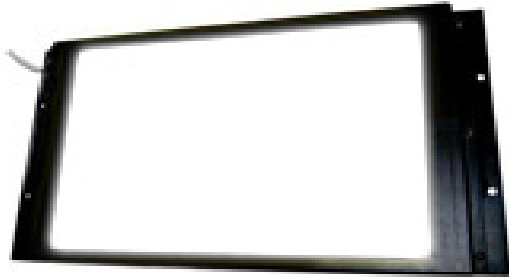


MetaBright™ Area Backlight Model#: MB-BL20X30



- Up to 50 SMD LED's per inch array makes our backlights the brightest most stable backlights in the industry
- Exclusive optical lens producing even (+/- 5%), shadow-free illumination
- High Density Precision Chip technology
- Patent-pending thermal management design draws heat directly from the die ensuring long life
- Stable, flicker-free illumination with instant-start operation

Wiring Diagram		M12 Connector		Specifications:	
Flying Leads	Function	PIN #	Function	Current Consumption	10 ~ 18 Amp @ 24Vdc
RED	+24VDC	1	+24VDC	Housing	Aluminum
BLACK	Ground	3	Ground	Finish	Powder Coated Black
WHITE	0~10V			Intensity Uniformity	+/-5%
GREEN	Signal Ground			Illuminance	60,000 Lux
				Operating Temperature	120° F Max
				Compliance	CE/RoHS
				Lifetime Hours	75,000 Hours

Active Area	Dimensions
20in x 30in 508mm x 762mm	25.2in x 35.2in x 1.1in 640mm x 894mm x 27.94mm

ORDERING INFORMATION:

• M B - B L 2 0 X 3 0 - - 2 4 -

<p>W White 6000k R Red 630nm G Green 530nm B Blue 455 nm IR Infrared 880nm UVL (long) 395nm UVS (short) 365nm</p>	<p>*BLANK T ILD ILS</p>	<p>10 ft. Flying Leads M12 Quick Disconnect In Line Dimmer In Line Strobe (customer provide trigger info)</p>
--	--	--

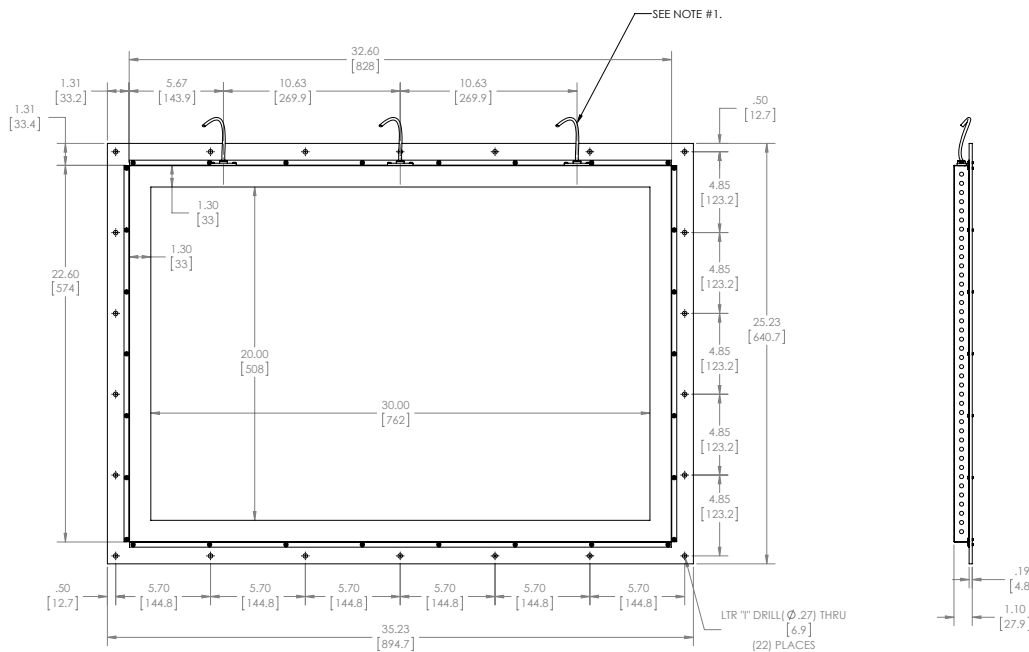
MetaBright™ Area Backlight Model#: MB-BL20X30

Contact us:

Contact your Metaphase Technologies Representative for options including: Diffuser Choice, Polarizer & Light Control Film, Specific Intensity & Uniformity, & Wavelength.

Drawing/Diagram

REVISIONS				
ZONE	REV.	DESCRIPTION	DATE	APPROVED
	A	REDRAWN IN SOLIDWORKS, KIW	11/4/2011	



NOTES: UNLESS OTHERWISE SPECIFIED

- ELECTRICAL CABLE (3), FOUR CONDUCTOR, 22 AWG, 10 FT. LONG WITH FLYING LEADWIRE ENDS. 3 AMPS/SECTION.

PROPRIETARY AND CONFIDENTIAL
THE INFORMATION CONTAINED IN THIS DRAWING IS THE SOLE PROPERTY OF METAPHASE TECHNOLOGIES, INC. ANY REPRODUCTION IN PART OR AS A WHOLE WITHOUT THE WRITTEN PERMISSION OF METAPHASE TECHNOLOGIES, INC. IS PROHIBITED.

UNLESS OTHERWISE SPECIFIED:		NAME	DATE	METAPHASE TECHNOLOGIES, INC.
DIMENSIONS ARE IN INCHES	DRAWN	KIW	11/4/2011	TITLE:
FRAC DECIMALS	CHECKED			BACKLIGHT, 20 X 30 INCH
ANGULAR MATCHES	ENG APPE.			SIZE DWG. NO.
THREE PLACE DECIMALS	ENG APPE.			C BL20X30 A
INHERENT GEOMETRIC TOLERANCING	APP. APPE.			SCALE: 1:5 WEIGHT:
GENERAL	APP. APPE.			SHEET 1 OF 1
DO NOT SCALE DRAWING	APP. APPE.			