

MetaBright™ High Power Diffuse Dome Light

Model#: MB-DL606



- Patent-pending LED heat management for consistent performance
- High intensity and uniform, non-directional illumination across entire lighting hemisphere for area scan
- Ideal for highly reflective surfaces and textured or topographic objects
- Provides cloudy day illumination, minimizing shadows and glare
- Enclosed workspace blocks interference of ambient light
- Optical grade reflector coating reflects 99.9% of light for optimum diffused output
- Strobe & dimming options
- Mounting: Comes with mounting studs

Specifications:

Current Consumption	1.7A
Housing	Alluminum
Finish	Powder Coated Black
Intensity Uniformity	+/-5%
Operating Temperature	120° F Max
Illuminance	68,000 Lux
Compliance	CE/RoHS
Lifetime Hours	80,000 Hours

Wiring Diagram

Flying Leads	Function
RED	+24VDC
WHITE	0~10V
BLACK	Ground
GREEN	Signal Ground

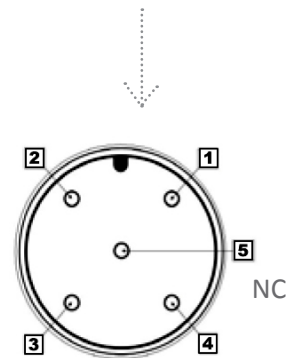
24 AWG 4 WIRES CABLE X 1
When not using intensity control, connect 0-10V control line to +24 (Max Intensity Control = 25V) and intensity control ground to ground

M12 Connector

PIN #	Function
1	+24VDC
2	0-10VDC Intensity Control
3	Ground
4	Signal Ground

Active Area Dimensions Camera Aperture

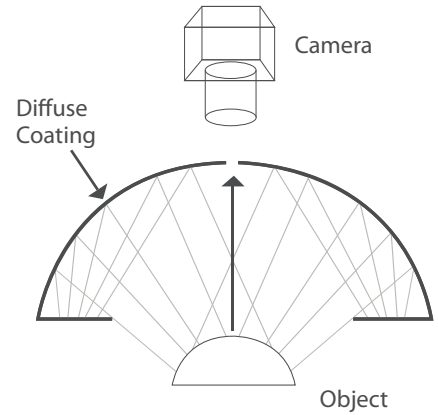
12" I.D.	8in x 17.77in	1.5in
304mm I.D.	203mm x 451mm	38.10mm



ORDERING INFORMATION:

• MB-DL606	-	<input type="checkbox"/>	-	24	-	<input type="checkbox"/>
		W	White 6000k			*BLANK
		R	Red 630nm			T
		G	Green 530nm			ILD
		B	Blue 455 nm			ILS
		IRN	Infrared 850nm			LL
		RGB	625/530/455nm			10 ft. Flying Leads
						M12 Quick Disconnect
						In Line Dimmer
						In Line Strobe (customer provide trigger info)
						Long Focal Lens

MetaBright™ High Power Diffuse Dome Light Model#: MB-DL606



Drawing/Diagram

