

MetaBright™ LineLight

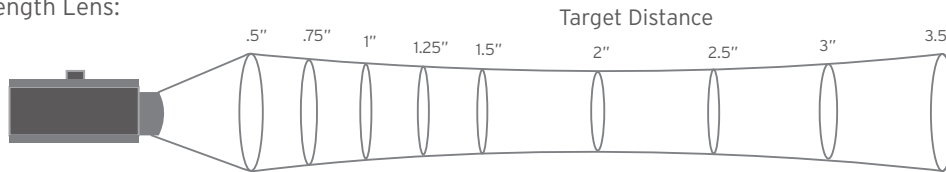
Model #: MB-LL306



- 10" Line Light (Line Lights are available in lengths from 1-120 inches - custom lengths available)
- Over 1 million lux combining the MetaBright and micro-lens patent pending technologies
- Non-fan cooling and compressed air cooling modules available
- Different beam width & working distance modules available
- Built in constant driver current sources to guarantee constant lighting output
- 0-10V dimming control

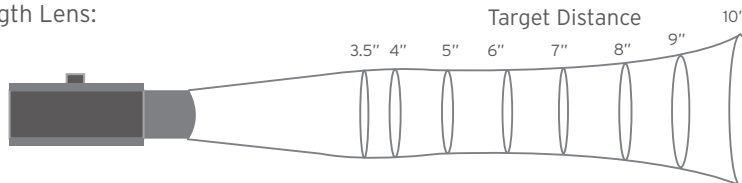
KEY: values in parenthesis are millimeter measurements

Standard Focal Length Lens:



Target Distance	0.5" (13)	0.75" (19)	1.00" (25)	1.25" (32)	1.50 (38)	2.00" (51)	2.50" (68)	3.00" (88)	3.50" (89)
Intensity (million LUX)	.80	1.27	1.21	1.18	1.16	.90	.66	.47	.32
Line Width	0.4 (10)	.25 (6.3)	.2 (5)	.2 (5)	.18 (4.6)	.18 (4.6)	.18 (4.6)	.3 (7.6)	>.3 (10)

Longer Focal Length Lens:



Target Distance	3.5" (89)	4.0" (102)	5.0" (127)	6.0" (162)	7.0" (178)	8.0" (203)	9.0" (229)	10.0" (264)
Intensity (million LUX)*	1.07	1.1	1.1	1.1	1.1	1.09	1.04	.98
Line Width	.2 (5)	.2 (5)	.2 (5)	.35 (8.9)	.4 (10)	.4 (10)	.5 (12.7)	.6 (15.2)

*requires refocus

ORDERING INFORMATION:

• M B - L L 3 0 6 - - 2 4 -

Back Line Light Option:

Replace designator "LL" with "BLL" on the prefix for units deployed in transmitted imaging applications.

ex: MB-BLL106-R-24

W- White 6000k
R- Red 630nm
G- Green 530nm
B- Blue 455 nm
IRN- Infrared 850nm
UVL- (long) 395nm
UVS- (short) 365nm

***BLANK**- 10 ft. Flying Leads
T- M12 Quick Disconnect
ILD- In Line Dimmer
ILS- In Line Strobe (customer provide trigger info)
LL- Long Focal Lens
NF- No Fans
CP- Cool Pack Cooling (compressed air)

* Intensity will be lower for NON-Fan option

SPECIFICATIONS:

Current Consumption	2.2A
Finish	Powder Coated
Light Intensity	+/-5%
Weight	4 LB
Operating Temperature	40°F(-.45°C) to 100°F(37.8°C)
Compliance	CE/RoHS
Lifetime hours	75,000 Hours

MetaBright™ LineLight

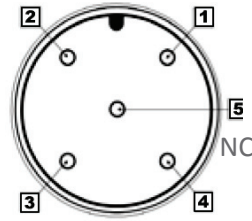
Model #: MB-LL306

Wiring Diagram

Flying Leads	Function
RED	+24VDC
GREEN	Signal Ground
BLUE	Ground
WHITE	0-10VDC Intensity Control

24 AWG 4 WIRES CABLE X 1

When not using intensity control, connect 0-10V control line to +24 (Max Intensity Control = 25V) and intensity control ground to ground



M12 Connector

PIN #	Function
1	+24VDC
2	0-10VDC Intensity Control
3	Ground
4	Signal Ground

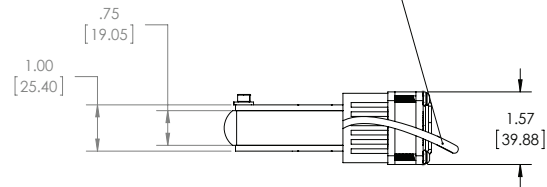
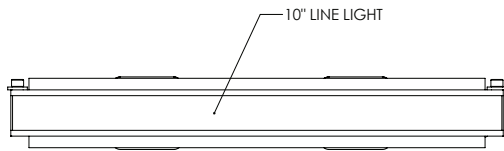
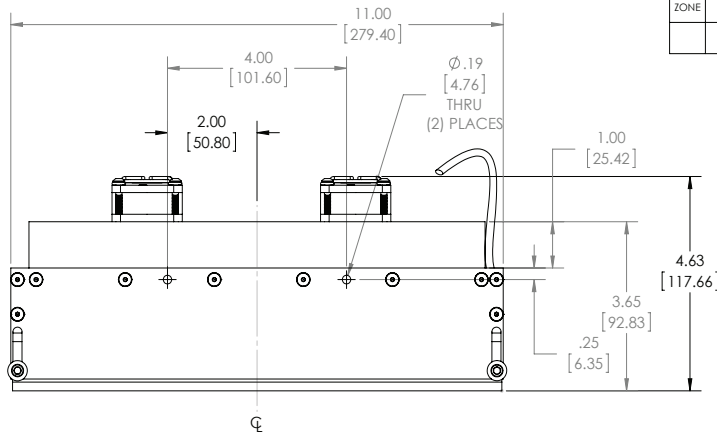
Active Area Dimensions

10 in x 0.75 in 11 in x 1.57 in x 4.63 in

Dominant Wavelength (nanometers)

White (°K)	5500-6500°K
Blue	464-485
Green	520-535
Red	620-630

Drawing/Diagram



REVISIONS				
ZONE	REV.	DESCRIPTION	DATE	APPROVED
	B	REVISED AND REDRAWN, KW	6/2/2011	

UNLESS OTHERWISE SPECIFIED:		NAME	DATE	METAPHASE TECHNOLOGIES, INC.
DIMENSIONS ARE IN INCHES		DRAWN	KW	
TOLERANCES:		CHECKED		TITLE: LINE LIGHT 10 INCH, METABRIGHT
FRACTIONAL: \pm		ENG APPR:		
ANGULAR: MACH \pm BEND \pm		MFG APPR:		
TWO PLACE DECIMAL: \pm		Q.A.		SIZE DWG. NO. REV B MB-LL306 B
THREE PLACE DECIMAL: \pm		COMMENTS:		
INTERPRET GEOMETRIC TOLERANCING PER:		FINISH		SCALE: 1:2 WEIGHT: SHEET 1 OF 1
MATERIAL:		DO NOT SCALE DRAWING		
NEXT ASSY	USED ON			
APPLICATION				

PROPRIETARY AND CONFIDENTIAL
THE INFORMATION CONTAINED IN THIS DRAWING IS THE SOLE PROPERTY OF METAPHASE TECHNOLOGIES, INC. ANY REPRODUCTION IN PART OR AS A WHOLE WITHOUT THE WRITTEN PERMISSION OF METAPHASE TECHNOLOGIES, INC. IS PROHIBITED.