

MetaBright Thin Backlight

Model#: MB-TBL1X4



- Configurable for various wavelengths
- Extremely low profile backlight for applications with strict spatial limitations
- No warm up time to reach full intensity
- Thin yet very high intensity & high uniformity (+/- 5%)
- High Uniformity (No hot spots or glare)
- High Density Precision Chips Tehcnology (HDPCT)
- Streamline design allows for maximum active area
- Light thickness: .39"

Active Area Dimensions Specifications:

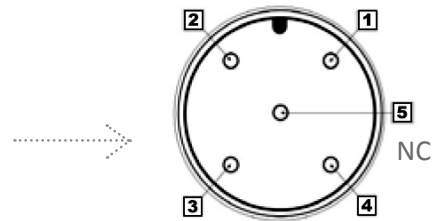
1in x 4.7 in
25.4mm x 119mm

1.21 in x 5.33 in x .39 in
30mm x 136mm x 9.9mm

Current Consumption	RED: 0.18A W/G/B: 0.25A
Finish	Powder Coated Black
Intensity Uniformity	+/-5%
Operating Temperature	120° F Max
Illuminance	70,000 Lux
Compliance	CE/RoHS
Lifetime Hours	75,000 Hours

Wiring Diagram	
Flying Leads	Function
RED	+24VDC
BLACK	Ground

M12 Connector	
PIN #	Function
1	+24VDC
3	Ground



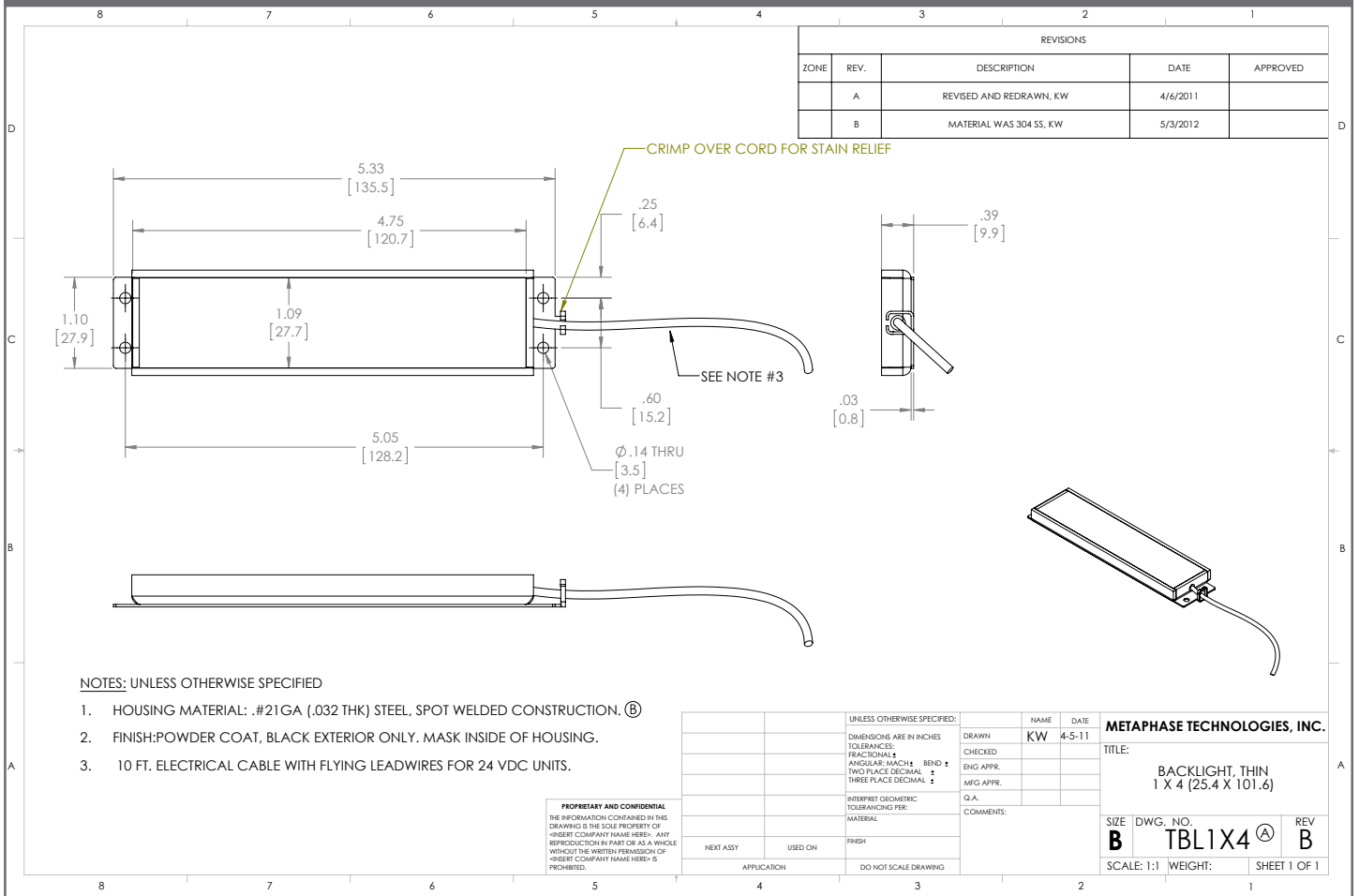
ORDERING INFORMATION:

• M B - T B L 1 X 4 - - 2 4 -

W	White 5500k	*BLANK	10 ft. Flying Leads
R	Red 630nm	T	M12 Quick Disconnect
G	Green 530nm	ILD	In Line Dimmer
B	Blue 455 nm	ILS	In Line Strobe (customer provide trigger info)
IRL	Infrared 880nm		
UVL	(long) 395nm		
UVS	(short) 365nm		

MetaBright Thin Backlight Model#: MB-TBL1X4

Drawing/Diagram



REVISIONS				
ZONE	REV.	DESCRIPTION	DATE	APPROVED
	A	REVISED AND REDRAWN, KW	4/6/2011	
	B	MATERIAL WAS 304 SS, KW	5/3/2012	

NOTES: UNLESS OTHERWISE SPECIFIED

- HOUSING MATERIAL: .#21 GA (.032 THK) STEEL, SPOT WELDED CONSTRUCTION. (B)
- FINISH: POWDER COAT, BLACK EXTERIOR ONLY. MASK INSIDE OF HOUSING.
- 10 FT. ELECTRICAL CABLE WITH FLYING LEADWIRES FOR 24 VDC UNITS.

PROPRIETARY AND CONFIDENTIAL
THE INFORMATION CONTAINED IN THIS DRAWING IS THE SOLE PROPERTY OF METAPHASE TECHNOLOGIES, INC. ANY REPRODUCTION IN PART OR AS A WHOLE WITHOUT THE WRITTEN PERMISSION OF METAPHASE TECHNOLOGIES, INC. IS PROHIBITED.

UNLESS OTHERWISE SPECIFIED:	NAME	DATE	METAPHASE TECHNOLOGIES, INC. TITLE: BACKLIGHT, THIN 1 X 4 (25.4 X 101.6)	
DIMENSIONS ARE IN INCHES	DRAWN	KW		4-5-11
TOLERANCES	CHECKED			
FRACTIONAL ±	ENG APPR.			
ANGULAR MATCH ±	MFG APPR.			
BEND ±	G.A.			
TWO PLACE DECIMAL ±	COMMENTS:			
THREE PLACE DECIMAL ±				
INTERPRET GEOMETRIC TOLERANCING PER:				
MATERIAL				
NEXT ASSY	USED ON	FINISH		
APPLICATION		DO NOT SCALE DRAWING		

SIZE	DWG. NO.	REV
B	TBL1X4 (A)	B
SCALE: 1:1	WEIGHT:	SHEET 1 OF 1