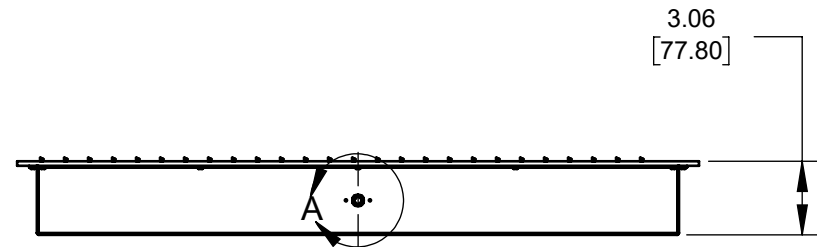
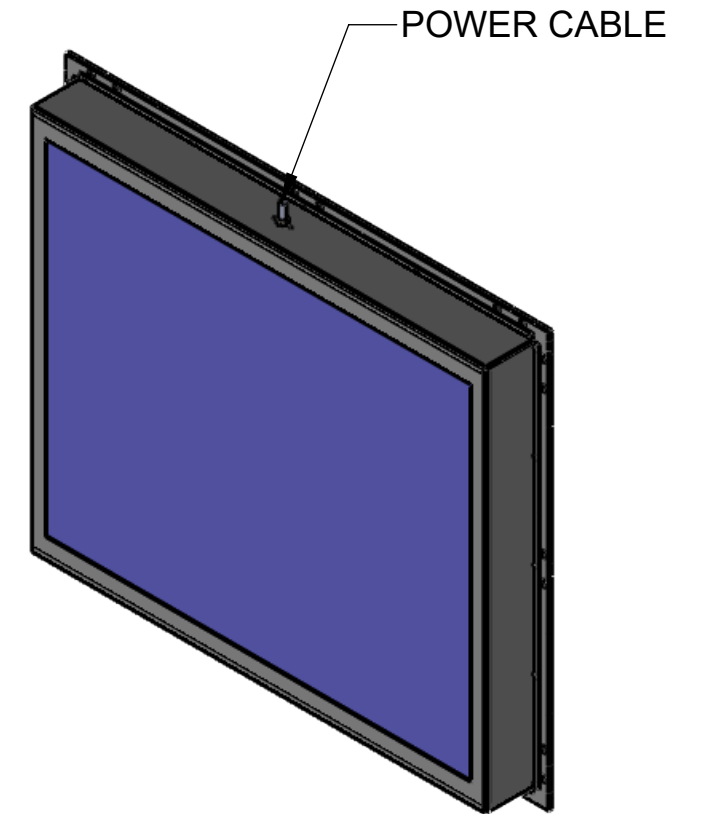
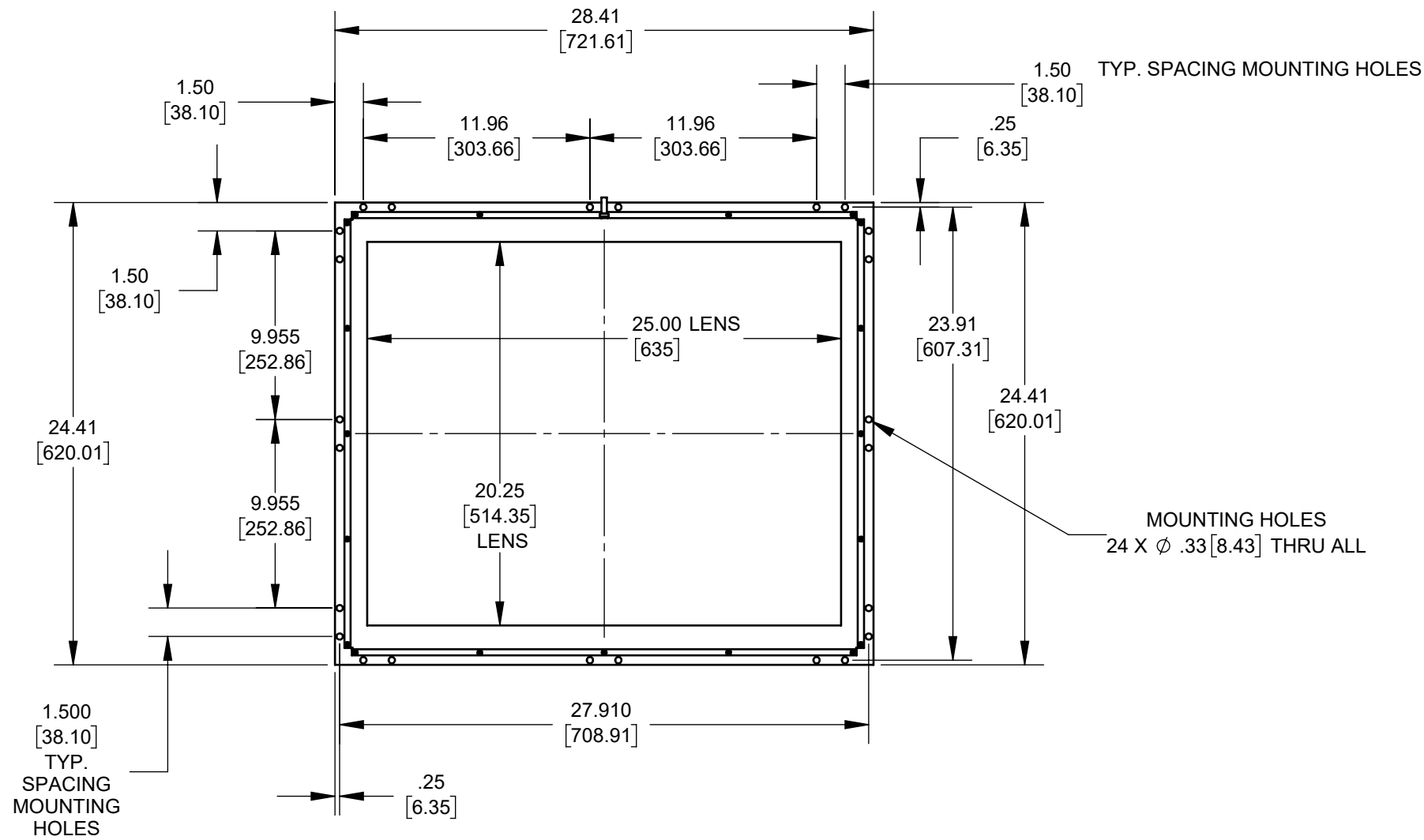


DETAIL A  
SCALE 1 : 4



| REVISIONS |                 |           |          |  |
|-----------|-----------------|-----------|----------|--|
| REV.      | DESCRIPTION     | DATE      | APPROVED |  |
| A         | INITIAL RELEASE | 7/25/2017 |          |  |



SEE SHEET 2 FOR EXPLODED VIEW AND BOM.

Metaphase Technologies, Inc. 211 Sinclair Road, Suite 100, Bristol, PA. 19007 215-639-8699 Fax 215-639-0977



|                   |               |
|-------------------|---------------|
| <b>QUANTITY:</b>  | Per order     |
| <b>MATERIAL:</b>  | Aluminum      |
| <b>FINISH:</b>    | Black Anodize |
| <b>TREATMENT:</b> | N/A           |

| TOLERANCE/FINISH UNLESS OTHERWISE SPECIFIED |              |              |       |                   |
|---|--------------|--------------|-------|-------------------|
| INCHES [MM]                                 |              |              |       |                   |
| X   | .X           | .XX          | .XXX  | 125√RMS [RA3.2um] |
| [±.76]                                      | ±.030 [±.25] | ±.010 [±.13] | ±.005 | ANGLES ±1°        |

THIS DOCUMENT IS THE PROPERTY OF METAPHASE TECHNOLOGIES, INC. WHOM MAY LOAN IT, SUBJECT TO RETURN UPON DEMAND. IT INCLUDES CONFIDENTIAL & PROPRIETARY INFORMATION WHICH MAY NOT BE DISCLOSED TO ANY THIRD PARTY, AND/ OR USED FOR ANY PURPOSE CONTRARY TO IT'S INTENDED USE, WITHOUT THE EXPRESSED PRIOR WRITTEN CONSENT OF METAPHASE TECHNOLOGIES, INC.

TITLE  
**Backlight ASSEMBLY**

USED ON  
Per customer

|                  |                                       |                 |
|------------------|---------------------------------------|-----------------|
| SIZE<br><b>B</b> | DRAWING NUMBER<br><b>MS-BL20x25-1</b> | REV<br><b>A</b> |
| SCALE 1:8        |                                       | SHEET 1 OF 1    |

Approval Signature \_\_\_\_\_

/ /  
Date