

MetaLight™ 4 - Ring Off-Axis Ring Light Model#: QOARL201



- Horizontal Plane of Light
- Useful for Highlighting Surface Defects
- Illuminates Specular Surfaces
- Configurable for Wavelength
- Economical, High Power
- Additional Ring at larger incident angle for flexible illumination

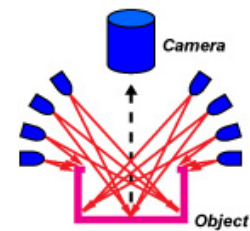
Part #	Color	Power Supply	Specifications:
QOARL201-W-24	White 5500K	24 volt power supply available upon request.	Current Consumption 0.8A
QOARL201-R-24	Red 630nm		Individual Ring Draw 0.2A
QOARL201-B-24	Blue 455nm		Housing Anodized Aluminum
QOARL201-G-24	Green 530nm		Intensity Uniformity +/-5%
QOARL201-IRN-24	Infrared 850nm		Operating Temperature 120° F Max
QOARL201-IRL-24	Infrared 880nm		Compliance CE/RoHS
QOARL201-UVL-24	UV 395nm		Lifetime Hours 75,000 Hours
QOARL201-UVS-24	UV 365nm		

10 ft. flying leads come standard on all products.
Light features built-in constant current driver.
No expensive controller required.

Active Area	Dimensions
Ø4.50in Aperture Ø114.3mm Aperture	L: 7in / 177.8mm W: 7in / 177.8mm H: 3.45in / 87.6mm

Angle of LED Rings

TOP RING - 60°
TOP CENTER RING - 50°
BOTTOM CENTER RING - 40°
BOTTOM RING - 20°



ORDERING INFORMATION:

• Q O A R L 2 0 1 - - 2 4 -

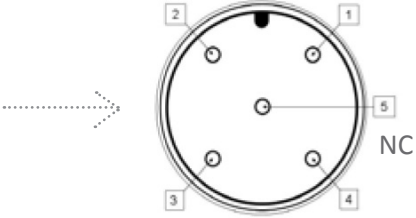
W	White 5500k	*BLANK	10 ft. Flying Leads
R	Red 630nm	T	M12 Quick Disconnect
G	Green 530nm	ILD	In Line Dimmer
B	Blue 455 nm	ILS	In Line Strobe (customer provide trigger info)
IRL	Infrared 880nm		
UVL	(long) 395nm		
UVS	(short) 365nm		

MetaLight™ 4 - Ring Off-Axis Ring Light Model#: QOARL201

Wiring Diagram

M12 Connector

PIN #	Function
1	+24VDC
2	0-10VDC Intensity Control
3	Ground
4	Signal Ground

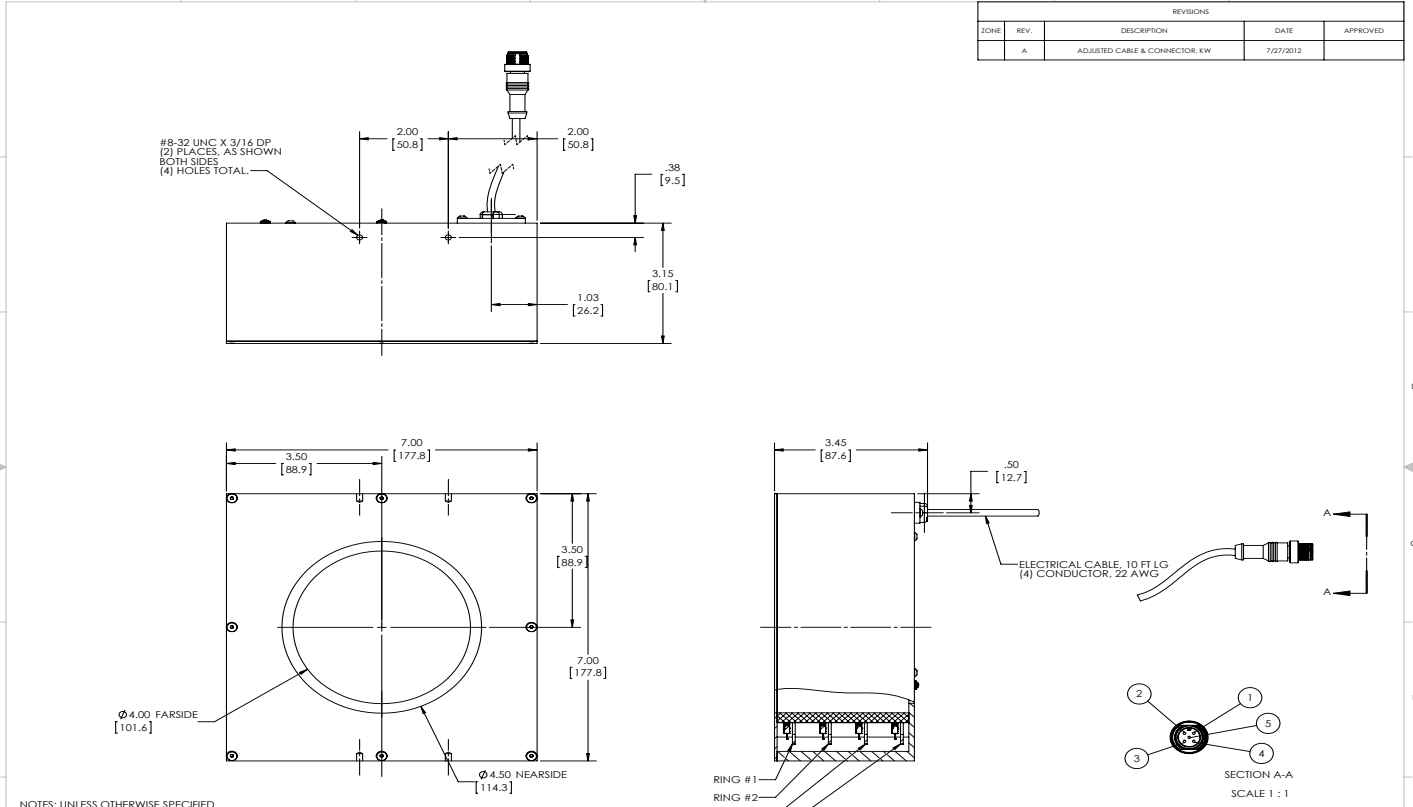


Flying Leads	Function
RED	+24VDC
BLACK	Ground
WHITE	+24VDC
GREEN	Ground

24 AWG 4 WIRES CABLE X 1
When not using intensity control, connect 0-10V control line to +24 (Max Intensity Control = 25V) and intensity control ground to ground

Drawing/Diagram

REVISIONS				
ZONE	REV.	DESCRIPTION	DATE	APPROVED
	A	ADJUSTED CABLE & CONNECTOR, KW	7/27/2012	



NOTES: UNLESS OTHERWISE SPECIFIED

MODEL #	Length of Cable
QOARL	19"

TOTAL CURRENT CONSUMPTION:	
Estimates = 1.0 MAX @ 24VDC (*0.2A per ring)	

PIN #	COLOR	FUNCTION
1	BROWN	+24 - ring 1
2	WHITE	+24 - ring 2
3	BLUE	+24 - ring 3
4	BLACK	+24 - ring 4
5	GRAY	OVDC - Ground

PROPRIETARY AND CONFIDENTIAL
THIS INFORMATION CONTAINS METAPHASE TECHNOLOGIES, INC. TRADE SECRETS AND/OR PROPRIETARY INFORMATION. IT IS TO BE KEPT CONFIDENTIAL AND NOT REPRODUCED OR DISCLOSED TO ANY OTHER PARTY WITHOUT THE WRITTEN PERMISSION OF METAPHASE TECHNOLOGIES, INC.

UNLESS OTHERWISE SPECIFIED:	NAME	DATE
DIMENSIONS ARE IN INCHES	DRAWN	7/25/2012
FRACTIONS IN 1/16	CHECKED	
ANGLES UNLESS OTHERWISE SPECIFIED	DESIGNED	
2ND ANGLE DIMENSION	DATE APPL.	
3RD ANGLE DIMENSION	MFG APPL.	
4TH ANGLE DIMENSION	C/A	
UNLESS OTHERWISE SPECIFIED:	COMMENTS:	
QUARTZ		
QUARTZ21C		
NEXT ASSY	USED ON	
APPLICATION	DO NOT SCALE DRAWING	

METAPHASE TECHNOLOGIES, INC.		
TITLE	SCALE	REV
OFF AXIS RING LIGHT, QUAD, 4 INCH W/ M12 CONNECTOR	NTS	A
SHEET NO. 1	DWG. NO. QOARL201C	SHEET 1 OF 1