

## MetaLight™ 4 - Ring Off-Axis Ring Light Model#: QOARL221



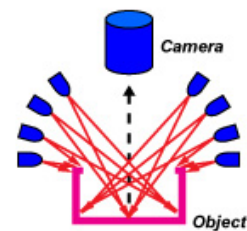
- Horizontal Plane of Light
- Useful for Highlighting Surface Defects
- Illuminates Specular Surfaces
- Configurable for Wavelength
- Economical, High Power
- Additional Ring at larger incident angle for flexible illumination

Part #	Color	Power Supply	Specifications:
QOARL221-W-24	White 5500K	24 volt power supply available upon request.	Current Consumption 0.6A
QOARL221-R-24	Red 630nm		Individual Ring Draw 0.2A
QOARL221-B-24	Blue 455nm		Housing Anodized Aluminum
QOARL221-G-24	Green 530nm		Intensity Uniformity +/-5%
QOARL221-IRN-24	Infrared 850nm		Operating Temperature 120° F Max
QOARL221-IRL-24	Infrared 880nm		Compliance CE/RoHS
QOARL221-UVL-24	UV 395nm		Lifetime Hours 75,000 Hours
QOARL221-UVS-24	UV 365nm		

10 ft. flying leads come standard on all products.  
Light features built-in constant current driver.  
No expensive controller required.

### Angle of LED Rings

TOP RING - 60°  
TOP CENTER RING - 50°  
BOTTOM CENTER RING - 40°  
BOTTOM RING - 20°



Active Area	Dimensions
∅4.50in Aperture	L: 7in / 177.8mm
∅114.3mm Aperture	W: 7in / 177.8mm
	H: 3.45in / 87.6mm

### ORDERING INFORMATION:

• Q O A R L 2 2 1 -  - 2 4 -

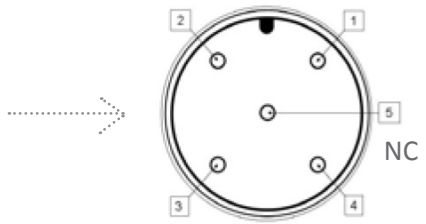
<b>W</b>	White 5500k	<b>*BLANK</b>	10 ft. Flying Leads
<b>R</b>	Red 630nm	<b>T</b>	M12 Quick Disconnect
<b>G</b>	Green 530nm	<b>ILD</b>	In Line Dimmer
<b>B</b>	Blue 455 nm	<b>ILS</b>	In Line Strobe (customer provide trigger info)
<b>IRL</b>	Infrared 880nm		
<b>UVL</b>	(long) 395nm		
<b>UVS</b>	(short) 365nm		

## MetaLight™ 4 - Ring Off-Axis Ring Light Model#: QOARL221

### Wiring Diagram

#### M12 Connector

PIN #	Function
1	+24VDC
2	0-10VDC Intensity Control
3	Ground
4	Signal Ground



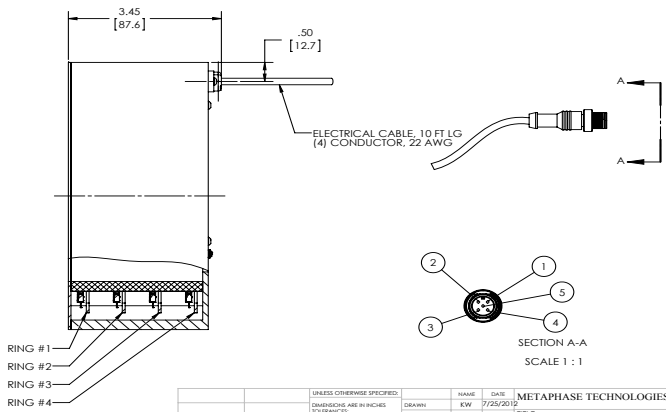
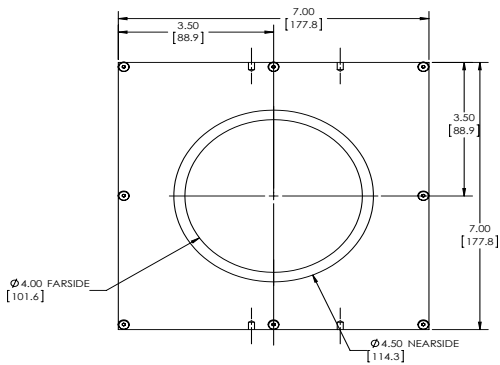
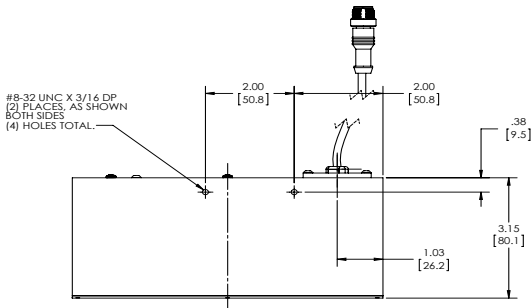
Flying Leads	Function
RED	+24VDC
BLACK	Ground
WHITE	+24VDC
GREEN	Ground

24 AWG 4 WIRES CABLE X 1

When not using intensity control, connect 0-10V control line to +24 (Max Intensity Control = 25V) and intensity control ground to ground

### Drawing/Diagram

REVISIONS				
ZONE	REV.	DESCRIPTION	DATE	APPROVED
	A	ADJUSTED CABLE & CONNECTOR, KW	7/27/2012	



NOTES: UNLESS OTHERWISE SPECIFIED

MODEL #	Length of Cable
QOARL	19"

PIN #	COLOR	FUNCTION
1	BROWN	+24 - ring 1
2	WHITE	+24 - ring 2
3	BLUE	+24 - ring 3
4	BLACK	+24 - ring 4
5	GRAY	0VDC - Ground

TOTAL CURRENT CONSUMPTION:
Estimates = 1.0 MAX @ 24VDC (*0.2A per ring)

UNLESS OTHERWISE SPECIFIED:	NAME:	DATE:	METAPHASE TECHNOLOGIES, INC.
DESIGNER:	KW:	7/25/2012	
CHECKED:			
INSTRUMENTED:			
TESTED:			
APPROVED:			
DATE:			
SCALE:			
REVISION:			
DESCRIPTION:			
QUANTITY:			
ASSEMBLY:			
APPLICATION:			