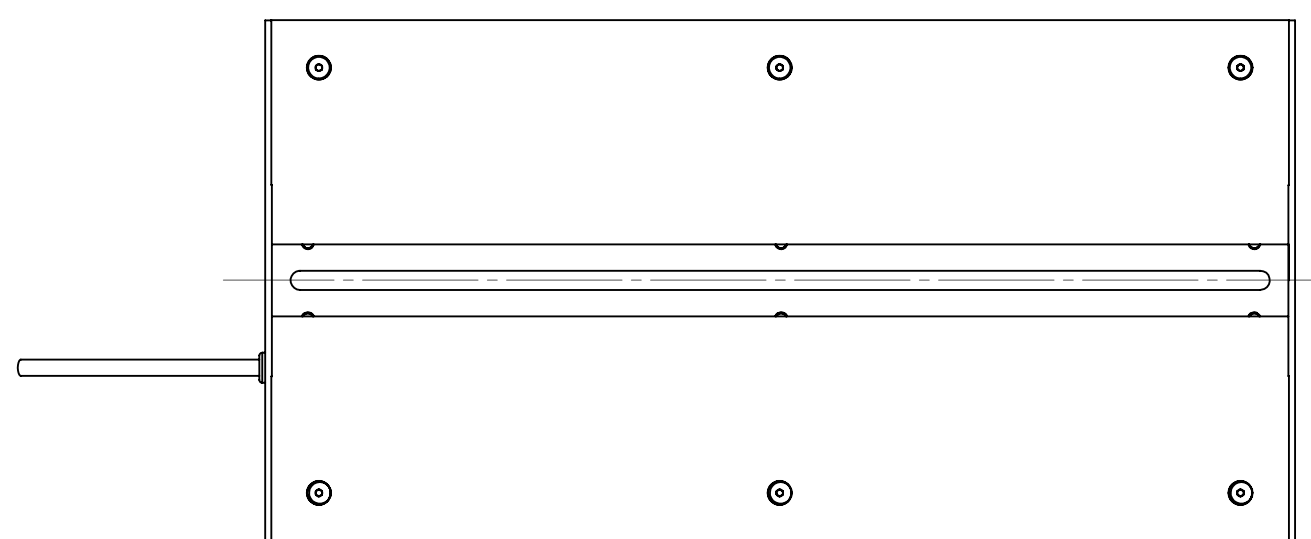
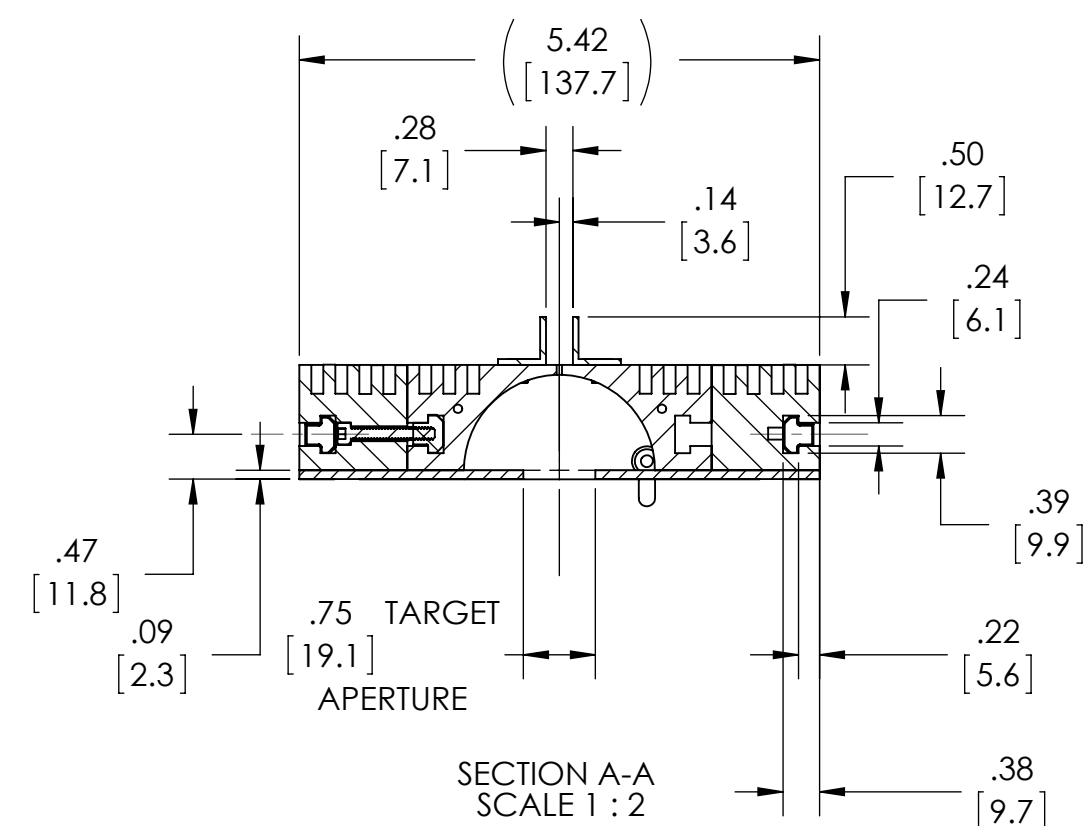
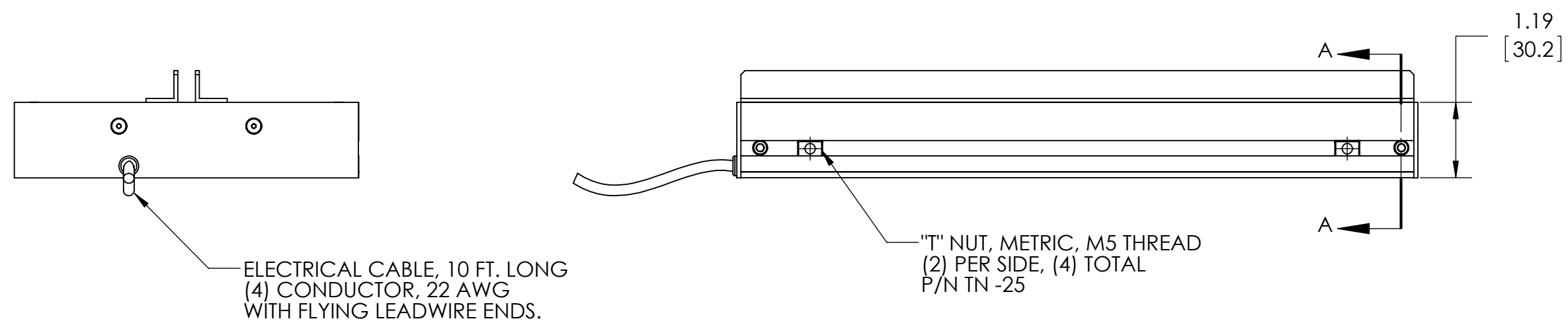
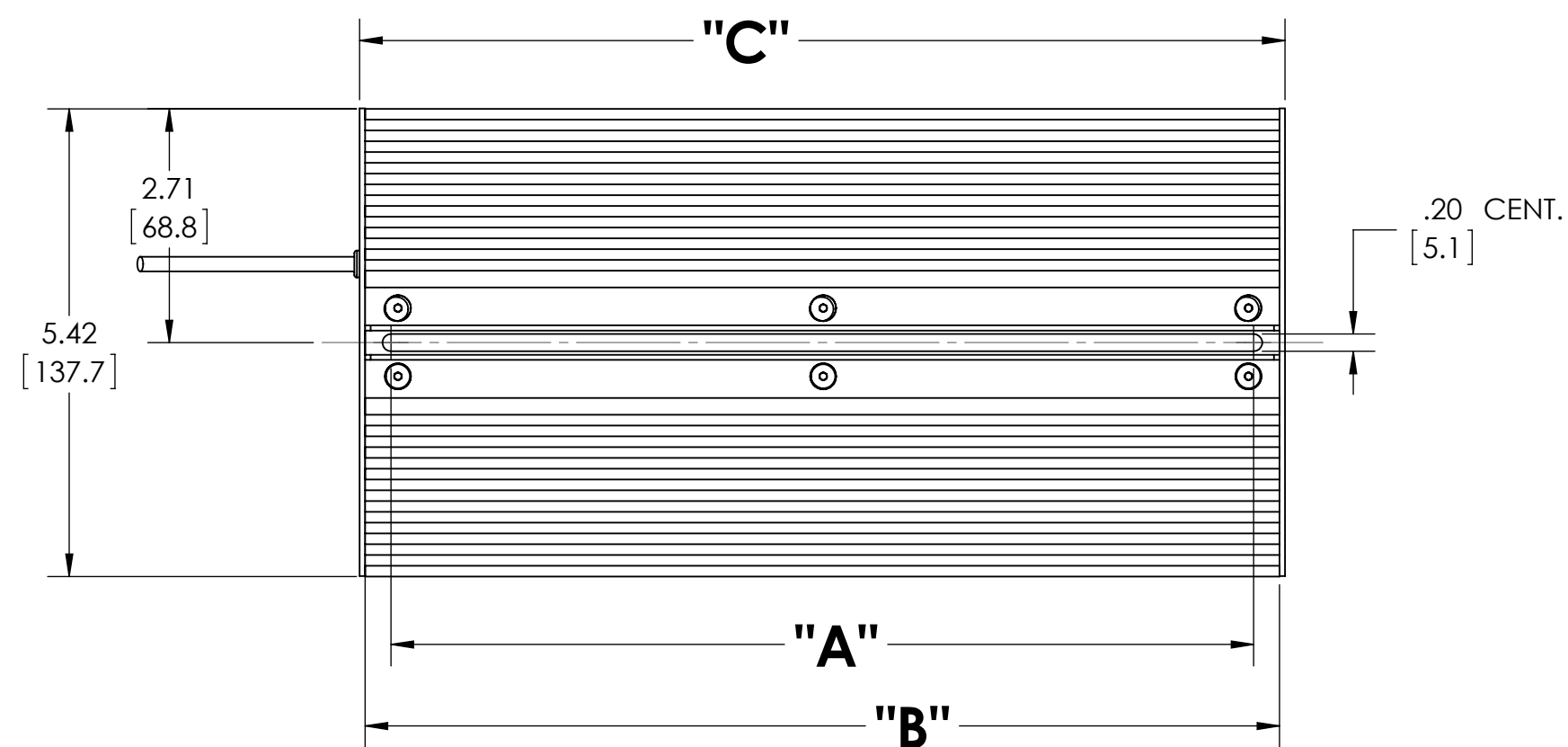


REVISIONS				
ZONE	REV.	DESCRIPTION	DATE	APPROVED



PART NUMBER	DIMENSION "A"	DIMENSION "B"	DIMENSION "C"
HP-CDT106	2" [51]	2.60 [66]	2.73[69]
HP-CDT206	5" [127]	5.60 [142]	5.73 [146]
HP-CDT306	10" [254]	10.60 [269]	10.73 [273]
HP-CDT406	15" [381]	15.60 [396]	15.73 [400]
HP-CDT506	20" [508]	20.60 [523]	20.73 [526.5]
HP-CDT606	25" [635]	25.60 [650]	25.73 [635]
HP-CDT706	30" [762]	30.60 [777.2]	30.73 [780.5]
HP-CDT806	35" [889]	35.60 [904]	35.73 [908]
HP-CDT906	40" [1016]	40.60 [1031]	40.73 [1035]
HP-CDT1006	45" [1143]	45.60 [1158]	45.73 [1162]
HP-CDT1106	50" [1270]	50.60 [1285]	50.73 [1289]
HP-CDT1206	55" [1397]	55.60 [1412]	55.73 [1416]
HP-CDT1306	60" [1524]	60.60 [1539]	60.73 [1543]
HP-CDT1406	65" [1651]	65.60 [1666]	65.73 [1670]
HP-CDT1506	70" [1778]	70.60 [1793]	70.73 [1797]
HP-CDT1606	75" [1905]	75.60 [1920]	75.73 [1924]
HP-CDT1706	80" [2032]	80.60 [2047]	80.73 [2051]
HP-CDT1806	85" [2159]	85.60 [2174]	85.73 [2178]

PROPRIETARY AND CONFIDENTIAL
 THE INFORMATION CONTAINED IN THIS DRAWING IS THE SOLE PROPERTY OF <INSERT COMPANY NAME HERE>. ANY REPRODUCTION IN PART OR AS A WHOLE WITHOUT THE WRITTEN PERMISSION OF <INSERT COMPANY NAME HERE> IS PROHIBITED.

UNLESS OTHERWISE SPECIFIED:		NAME	DATE	METAPHASE TECHNOLOGIES, INC.	
DIMENSIONS ARE IN INCHES		DRAWN	KW		8/3/2012
TOLERANCES:		CHECKED			
FRACTIONAL ±		ENG APPR.			
ANGULAR: MACH ± BEND ±		MFG APPR.			
TWO PLACE DECIMAL ±		Q.A.			
THREE PLACE DECIMAL ±		COMMENTS:			
INTERPRET GEOMETRIC TOLERANCING PER:					
MATERIAL					
FINISH					
NEXT ASSY	USED ON				
APPLICATION	DO NOT SCALE DRAWING				

TITLE:		
COMPACT DIFFUSED TUBE LINE LIGHT HIGH POWER		
SIZE	DWG. NO.	REV
C	HP-CDTXXX, TABULATED	
SCALE: 1:5	WEIGHT:	SHEET 1 OF 1