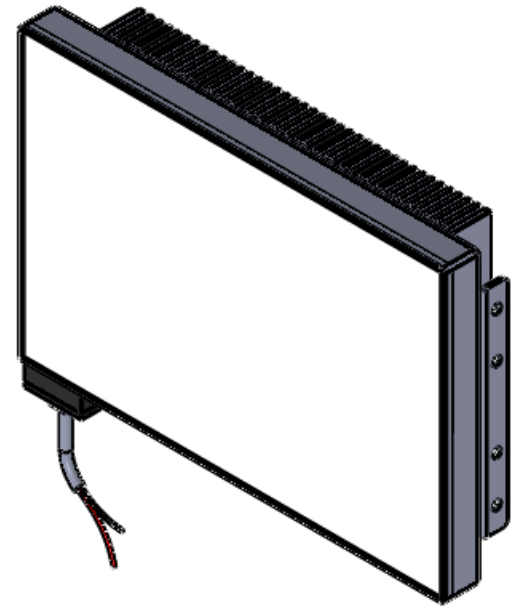
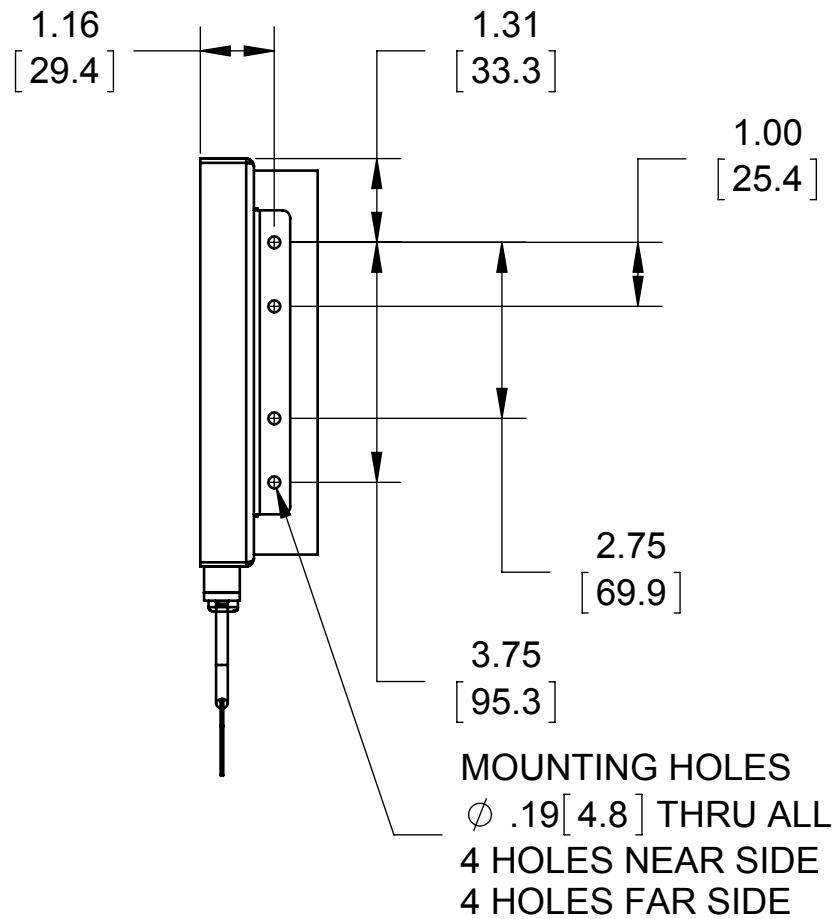
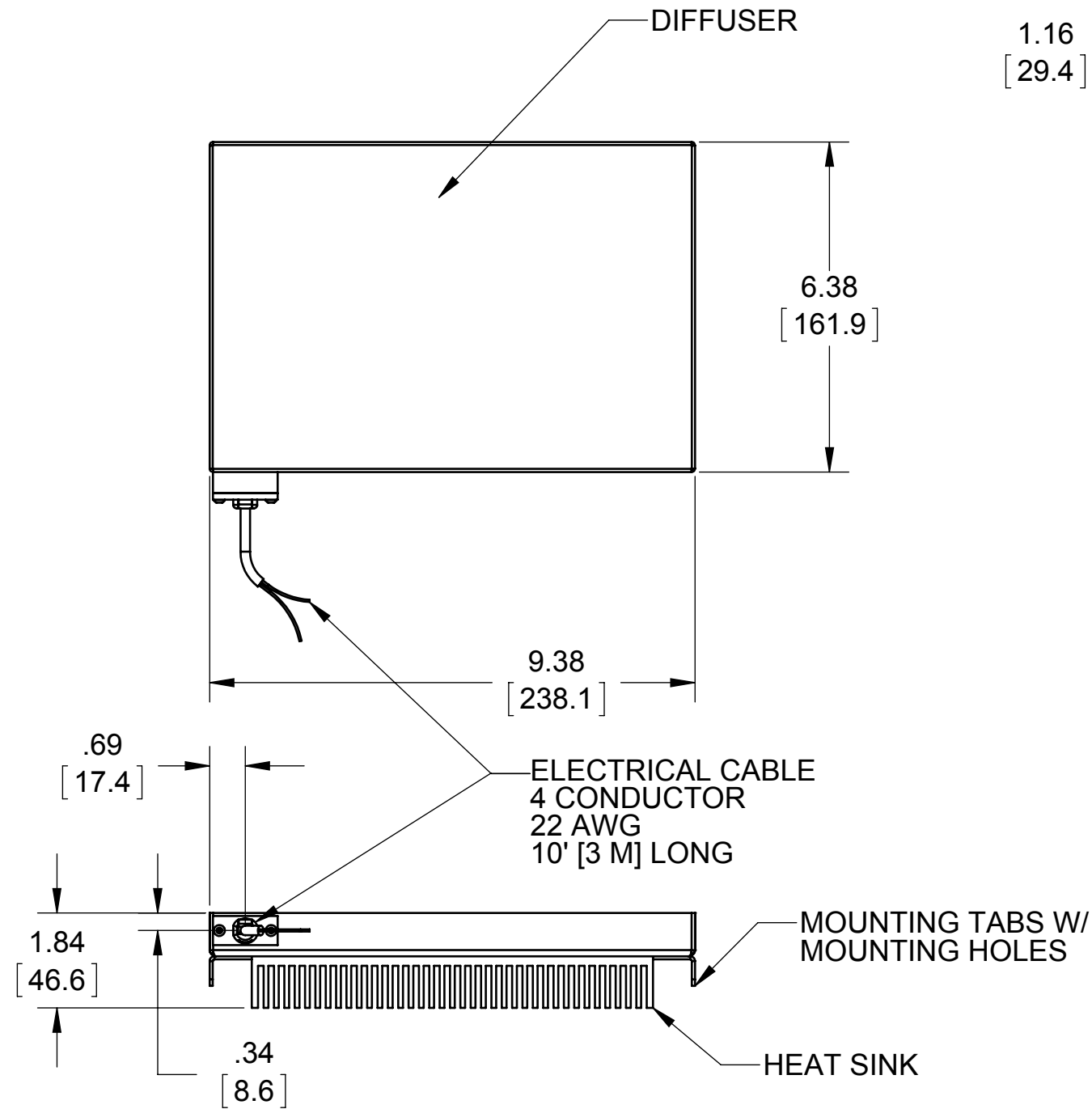


REVISIONS			
REV.	DESCRIPTION	DATE	APPROVED



Metaphase Technologies, Inc. 3412 Progress Drive, Unit C, Bensalem, PA. 19020 215-639-8699 Fax 215-639-0977



QUANTITY: Per order

MATERIAL: See BOM

FINISH: As supplied

TREATMENT: N/A

TOLERANCE/FINISH UNLESS OTHERWISE SPECIFIED				
INCHES[MM]				125√RMS [RA3.2um]
X	.X	.XX	.XXX	ANGLES±1°
[±.76]	±.030 [±.25]	±.010 [±.13]	±.005	

THIS DOCUMENT IS THE PROPERTY OF METAPHASE TECHNOLOGIES, INC. WHOM MAY LOAN IT, SUBJECT TO RETURN UPON DEMAND. IT INCLUDES CONFIDENTIAL & PROPRIETARY INFORMATION WHICH MAY NOT BE DISCLOSED TO ANY THIRD PARTY, AND/ OR USED FOR ANY PURPOSE CONTRARY TO IT'S INTENDED USE, WITHOUT THE EXPRESSED PRIOR WRITTEN CONSENT OF METAPHASE TECHNOLOGIES, INC.

TITLE
Top Assy.

USED ON
Per Customer

SIZE B	DRAWING NUMBER OBL-6X9-1	REV A
SCALE 1:8		SHEET 1 OF 2

Approval Signature

/ /
Date