

Optronis

Make time visible

CamRecord

CL300x2



HIGH-SPEED CAMERA

**Powerful area scan camera
with CameraLink interface**

- > **High sensitive image sensor**
- > **Resolution 1280 x 1024 pixel**
- > **Lookup-Table (LUT) - 10 Bit to 8 Bit**
- > **125 frames/second at full resolution**
- > **Extended dynamic range up to 90 dB**
- > **Base CameraLink interface**
- > **Region of Interest (ROI)**

CamRecord CL300x2

Light sensitive high-speed camera for real-time data acquisition.

Model Overview

Part Number	Description
CL300x2 /M /FM	monochrome, Nikon F-Mount
CL300x2 /M /CM	monochrome, C-Mount
CL300x2 /C /FM	colour, Nikon F-Mount
CL300x2 /C /CM	colour, C-Mount

CameraLink Modes

Base	2 taps / 8 Bit	max. 125 fps
Base	2 taps / 10 Bit	max. 125 fps

Connector Pin Assignment

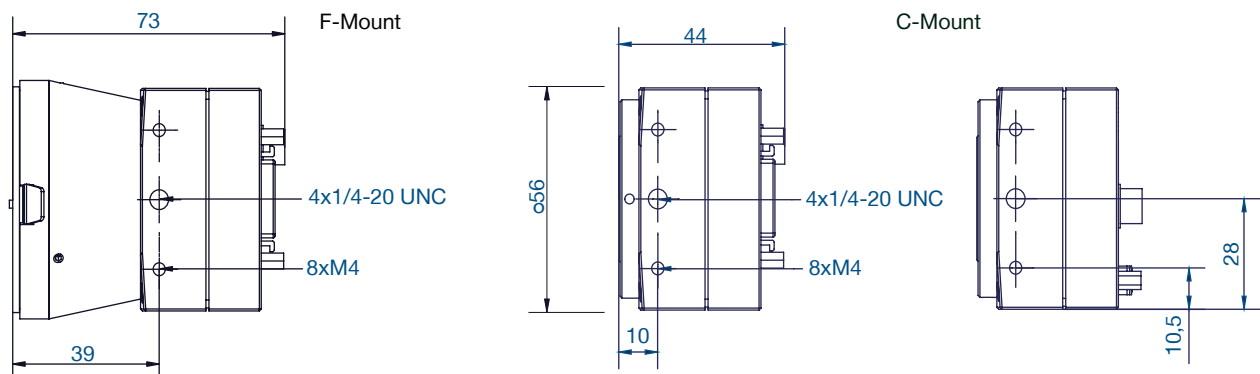
6-pin HR10A-7R-6P Hirose			
Pin 1	Vcc 5 V	Pin 4	Sync OUT
Pin 2	GND	Pin 5	GND
Pin 3	Sync IN	Pin 6	GND

Accessories

- Customized power supply (standard power supply already included)
- CameraLink cable
- Wide range of C-Mount and F-Mount lenses
- Different framegrabbers available on request

Specifications

Resolution	1280 x 1024 pixel
Frame Rate @ Max. Resolution	125 fps
Image Sensor	Progressive Scan CMOS
Exposure Time	1 μ s - 1/Framerate
Active Area	17,92 mm x 14,34 mm
Sensor Diagonal Dimension	22,95 mm
Pixel Size	14 μ m x 14 μ m
A/D Conversion	10 Bit or 8 Bit
Dynamic	60 dB (90 dB optical)
Sensitivity	25 V/lux*s
Shutter	global electronic, >1 μ s exposure time
Synchronization	internal, external
Interface	CameraLink
Video Output	VGA
Supply Voltage	5 VDC
Power Consumption	5 W
Lens Mount	Nikon F-Mount (optional C-Mount)
Weight	250 g
Operating Temperature	0 .. 40°C
Humidity	< 80 % relative, non-condensed
Dimensions	56 mm x 56 mm x 44 mm
Conformity	CE, RoHS
Scope of delivery	Camera CL300x2, power supply, manual



The information given herein is believed to be reliable, however Optronis makes no warranties as to its accuracy or completeness. Data sheet is subject to modifications at any time. 07/2010