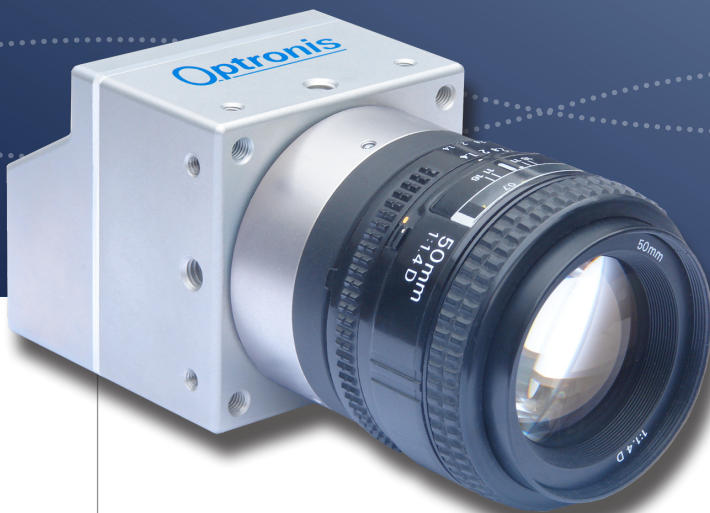


CAMPERFORM-CYCLONE SERIES

Cyclone-5-700

High-Speed Machine Vision Camera



CXP-12

METROLOGY AND HIGH SPEED MACHINE VISION
AUTOMATED OPTICAL INSPECTION (AOI)
LASER TRIANGULATION

- 705 fps with 2 560 x 1 920 pixels
- Global shutter with low noise pixel
- Micro-BNC (HD-BNC™) connectors
- CoaXPress V2.0 interface with 4 x 12.5 Gbit/s
- Power and trigger via CoaXPress
- Microsecond and frame counter

Cyclone-5-700 High-Speed Machine Vision Camera

Optronis

Make time visible

FEATURES

The Cyclone-5-700 is a high resolution camera with low noise pixels. It is part of Optronis CamPerform-Cyclone series for demanding machine vision applications. Reducing vertical resolution allows to increase frame rate.

- 2 560 x 1 920 pixel resolution
- low noise pixel
- frame rate increases with vertical window size reduction

Firmware features

- Analogue gain adjustment
- Analogue offset adjustment
- Hot pixel correction (customer activatable)
- LUT factory set or customer definition
- Framenumber and Microsecond counter on image

SPECIFICATIONS

Sensor type	LUX51, Global Shutter
Resolution	2 560 pixel x 1 920 pixel
Frame rate (full resolution)	20 .. 705 fps
Exposure time	4 µs .. 1 / frame rate
Active area / Diagonal	12.80 mm x 9.60 mm / 16.00 mm
Pixel size	5.0 µm x 5.0 µm
A/D conversion	8/10 Bit
Sensitivity (sensor)	6 V/lux·s @ 550 nm
Quantum efficiency (sensor)	>45 % @ 550 nm
Synchronization	internal, external, CoaXPress
Synchronization signals	Synch IN and Synch OUT, TTL level, electrically isolated
Interface	CoaXPress 2.0 (4 ch., CXP-12) Micro-BNC (HD-BNC) connectors
Power	10 W, PoCXP, ext.
Operating ambient temperature	0 .. +40°C / 32 .. 104°F
Weight	400 g without mount
Dimensions	65 mm x 65 mm x 71 mm (3D model data available)

PERFORMANCE (EXAMPLES)

Resolution (HxV)	Frame rate	Resolution (HxV)	Frame rate
2 560 x 1 920	705 fps	2 560 x 960	1 408 fps
1 920 x 1 080	1 252 fps	2 560 x 480	2 812 fps
1 280 x 960	1 408 fps	2 560 x 120	11 110 fps
512 x 384	3 511 fps	2 560 x 32	39 865 fps
256 x 8	135 542 fps	2 560 x 8	135 542 fps

MODELS

Cyclone-5-700-M	monochrome Camera
Cyclone-5-700-C	color Camera
Scope of delivery	Camera, brief introduction

ACCESSORIES

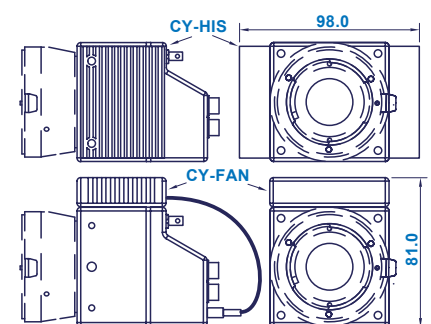
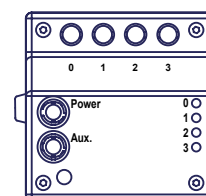
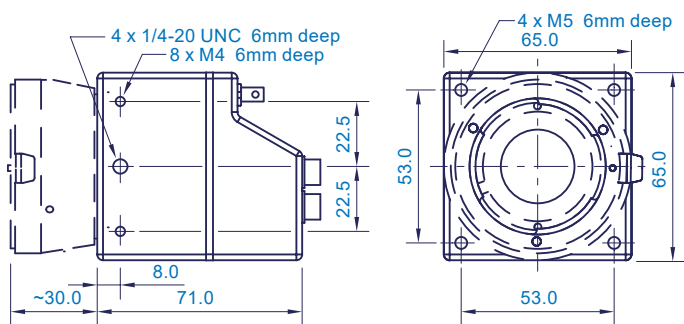
CY-CM	C-Mount lens adapter
CY-FM	F-Mount lens adapter
CY-M42	M42 Mount lens adapter
CPH6-PTC	Pig tail cable for synch
CPH6-USB	Programming Cable
CY-HIS	Heat Sink
CY-FAN	Cooling Fan

EMVA1288 measurements (v3.1 typ. preliminary)

Dynamic range	TBD dB
Saturation capacity	15 000 e ⁻
Temporal dark noise	10 e ⁻
System gain	15 e ⁻ /DN
Signal-to-Noise Ratio	50 dB
DSNU	50 e ⁻
PRNU	1.5 %
Non-linearity error LE _{min} , LE _{max}	TBD % (TBD % EMVA1288 v3.0)



TECHNICAL DRAWING



CONTACT INFORMATION

Optronis GmbH
Ludwigstraße 2
77694 Kehl
Germany

Phone: +49 7851 91 26 - 0
Fax: +49 7851 91 26 - 10
info@optronis.com
www.optronis.com

The information given herein is believed to be reliable, however Optronis makes no warranties as to its accuracy or completeness. Data sheet is subject to modifications at any time. Version -