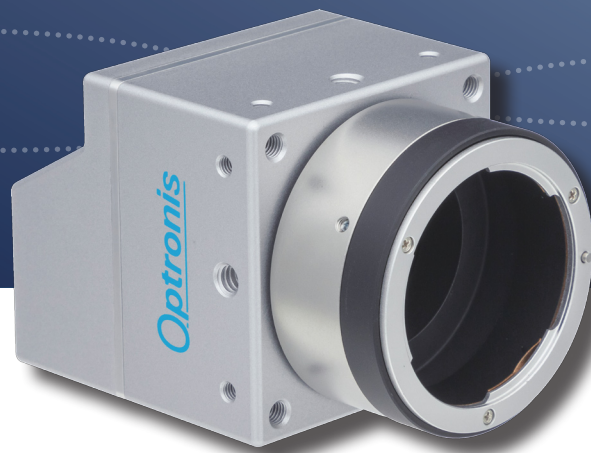


CAMPERFORM-CYCLONE SERIES

Cyclone-65-70



CXP-12

- ✓ HIGH SPEED MACHINE VISION
- ✓ AUTOMATED OPTICAL INSPECTION (AOI)
- ✓ SEMICONDUCTOR QUALITY CONTROL

- 71 fps with 9 344 x 7 000 pixels
- Global shutter mode
- Low noise pixel
- Micro-BNC (HD-BNC™) connectors
- CoaXPress V2.0 interface with 4 x 12.5 Gbit/s
- Power and trigger via CoaXPress

Cyclone-65-70 High-Speed Machine Vision Camera

Optronis

Make time visible

FEATURES

With 65 MPixel resolution the Cyclone-65-70 still provides high frame rate of more than 70 fps. The camera is part of Optronis CamPerform-Cyclone series for demanding machine vision applications.

- 9 344 x 7 000 pixel resolution
- low noise pixel
- frame rate increases with vertical window size reduction

Firmware features

- Analogue gain adjustment
- Analogue offset adjustment
- Hot pixel correction (customer activatable)
- Dual ROI and Line skipping
- Framenumber and Microsecond counter on image

SPECIFICATIONS

Sensor type	GMAX3265, Global Shutter
Resolution	9 344 pixel x 7 000 pixel
Frame rate (full resolution)	20 .. 71 fps
Exposure time	12 µs .. 1 / frame rate
Active area / Diagonal	29.90 mm x 22.40 mm / 37.36 mm
Pixel distance	3.2 µm x 3.2 µm
A/D conversion	8/10 Bit
Quantum efficiency (sensor)	65 % @ 500 nm
Synchronization	internal, external, CoaXPress
Synchronization signals	Synch IN and Synch OUT, TTL level, electrically isolated
Interface	CoaXPress 2.0 (4 ch., CXP-12) Micro-BNC (HD-BNC) connectors
Power	14 W, PoCXP, ext.
Temperature Ranges	
- operation, amb., no cooling	0 .. +25°C / 32 .. 77°F
- operation, amb., with CY-HIS	0 .. +35°C / 32 .. 95°F
- operation, amb., with CY-FAN	0 .. +55°C / 32 .. 131°F
- operation, case temperature	0 .. +70°C / 32 .. 158°F
Weight	400 g w/o mount, w/o cooling
Dimensions	65 mm x 65 mm x 71 mm (3D model data available)

EMVA1288 measurements (v3.1 typ. preliminary)

Dynamic range	55 dB
Saturation capacity	10 000 e ⁻
Temporal dark noise	18 e ⁻
System gain	46 e ⁻ /DN
Signal-to-Noise Ratio	40 dB
DSNU	72 e ⁻

PERFORMANCE (EXAMPLES, 8 BIT, SEE ALSO FRAME RATE CALCULATOR)

Resolution (HxV)	Frame rate	Resolution (HxV)	Frame rate
9 344 x 7 000	71 fps	9 344 x 3 500	141 fps
4 672 x 3 500	141 fps	9 344 x 1 752	280 fps
3 840 x 2 160	228 fps	9 280 x 876	550 fps
1 920 x 1 080	449 fps	9 280 x 256	1 736 fps
1 280 x 720	664 fps	9 280 x 8	12 496 fps

MODELS

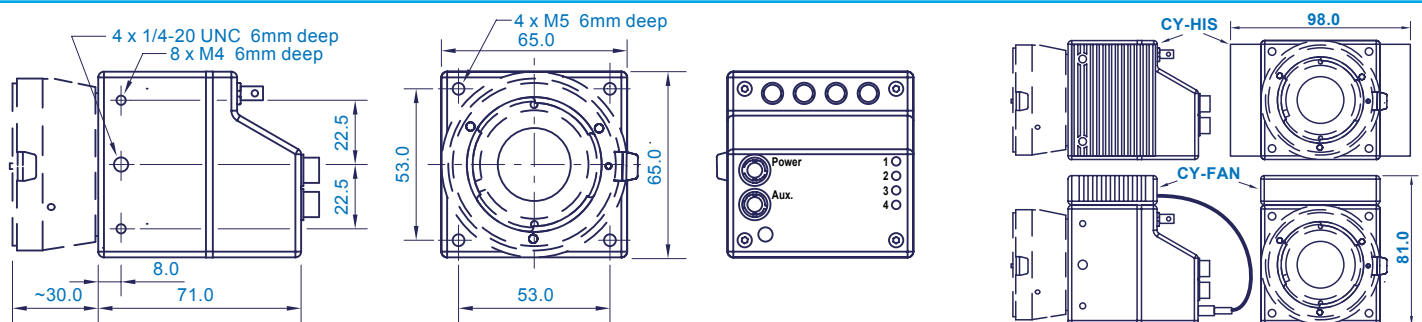
Cyclone-65-70-M	monochrome Camera
Cyclone-65-70-C	color Camera
Scope of delivery	Camera, brief introduction

ACCESSORIES

CY-CM	C-Mount lens adapter
CY-FM	F-Mount lens adapter
CY-M42	M42 Mount lens adapter
CPH6-PTC	Pig tail cable for synch
CPH6-USB	Programming Cable
CY-HIS	Heat Sink
CY-FAN	Cooling Fan



TECHNICAL DRAWINGS



CONTACT INFORMATION

Optronis GmbH
Ludwigstraße 2
77694 Kehl
Germany

Phone: +49 7851 91 26 - 0
Fax: +49 7851 91 26 - 10
info@optronis.com
www.optronis.com

The information given herein is believed to be reliable, however Optronis makes no warranties as to its accuracy or completeness. Data sheet is subject to modifications at any time. 07.20