



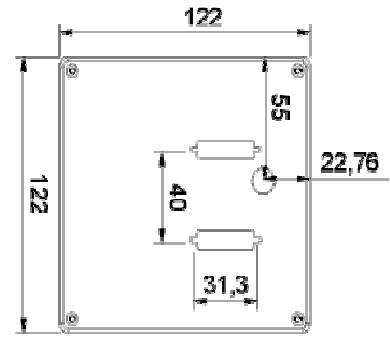
Specifications		Connector	Dimensions
Sensor	ICX 618		
Active area	1/4" sensor 4.46 mm(H) x 3.80 mm (V)		
Pixel size	5.6µm		
Pixel clock	25 MHz		
Active pixels	640 x 494		
Frame rate	60 Fps full resolution		
Channels	Channel 1: 400 – 500 nm Channel 2: 500 – 590 nm Channel 3: 590 – 670 nm Channel 4: 670 – 1000 nm		
Alignment accuracy	Better than 1/4 <sup>th</sup> of a pixel		
Dynamic range	>56 dB		
Bit depths	8 bit 4 channel, 12 bit 4 channel		
Gain	0 to 36 dB analog gain		
Video output	CameraLink / GigE Vision		
Trigger modes	Internal and external source (on Camera Link and Hirose connectors)		
Synchronization	All sensor clocks synchronized. Smart trigger unit for advanced trigger schemes		
Electronic shutter	Synchronized exposure with channel independent duration. (1 µs to 1s)		
Control interface	All commands through Camera Link serial interface or GigE Vision		
Lookup tables	Lookup tables available in 8bit mode, full access to table entries. Table data programmed in flash memory (on request)		
External control capability *)	Gain*, exposure*, lookup tables*, region of interest, image bit depth, trigger source		
Weight	1485 grams excluding lens		
Dimensions	122 x 122 x 125 mm		
Lens mount options	C-Mount custom lens		
Operating temperature	-40 - +80 °C		
Regulations	CE (EN 61000-6-2 EN 61000-6-3), FCC Part 15 class B, RoHS/WEE		
Back focal length	≥ 17.52 mm in air		
Power	18-24V DC +/-10%, 6W		
Humidity	20-90% Non condensing		

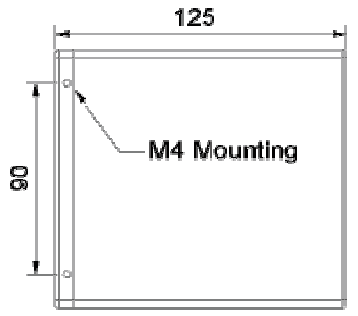
Pin	Signal	Function
1	GND	GROUND
2	Vin	+15-24V
3	DNC	Do not connect
4	DNC	Do not connect
5	DNC	Do not connect
6	DNC	Do not connect
7	Trigger in	Input trigger
8	Trigger out	Output trigger
9	DNC	Do not connect
10	DNC	Do not connect
11	DNC	Do not connect
12	DNC	Do not connect

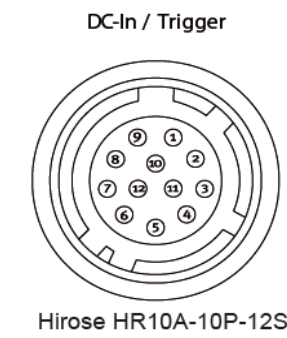
Pin	Signal	Function	
1	14	GND	
2	15	X0-/X0+	CL Data
3	16	X1-/X1+	CL Data
4	17	X2-/X2+	CL Data
5	18	Xclk-/Xclk+	CL Clk
6	19	X3-/X3+	CL Data
7	20	Ser TC+/Ser TC-	Serial in
8	21	Ser TFG-/Ser TFG+	Serial out
9	22	CC1-/CC1+	
10	23	CC2-/CC2-	Not Used
11	24	CC3-/CC3+	Not Used
12	25	CC4+/CC4-	Not Used
13	26	GND	



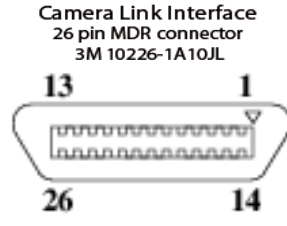
Back view. All dimensions in mm



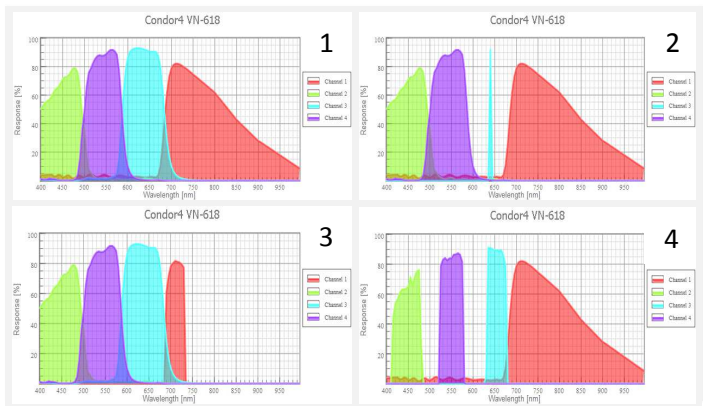
Side view. All dimensions in mm



Hirose HR10A-10P-12S



Pin	Signal	Function	
1	14	GND	
2	15	X0-/X0+	CL Data
3	16	X1-/X1+	CL Data
4	17	X2-/X2+	CL Data
5	18	Xclk-/Xclk+	CL Clk
6	19	X3-/X3+	CL Data
7	20	Ser TC+/Ser TC-	Serial in
8	21	Ser TFG-/Ser TFG+	Serial out
9	22	CC1-/CC1+	
10	23	CC2-/CC2-	Not Used
11	24	CC3-/CC3+	Not Used
12	25	CC4+/CC4-	Not Used
13	26	GND	



## Examples

1. Original prism dichroic coating
2. Optional narrow band filter in channel 3
3. Optional narrow band filter in channel 4
4. Optional narrow band filter in channel 1, 2 and 3

Filters can be customized on user requirements