

# SPACECOM

# HF3.5DC

Image Size:  $\frac{1}{2}$   $\frac{1}{3}$   $\frac{1}{4}$

## [SPECIFICATIONS]

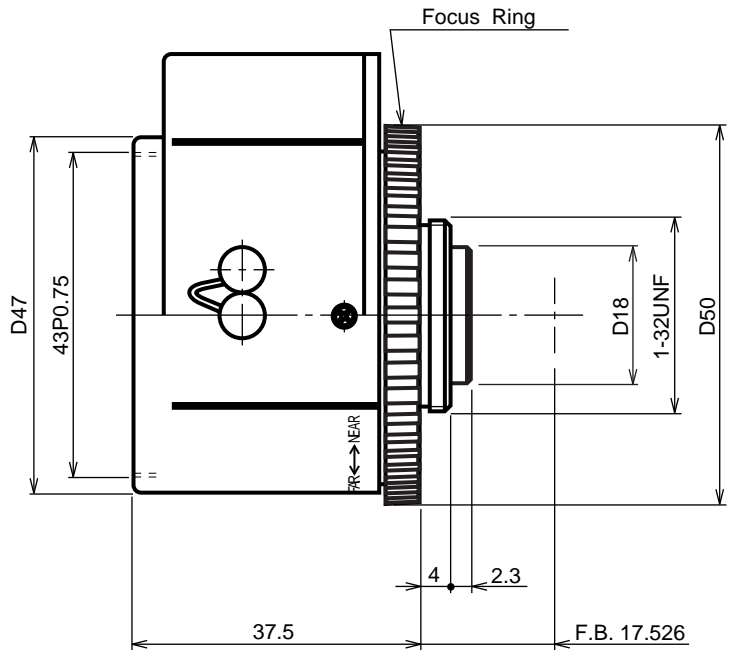
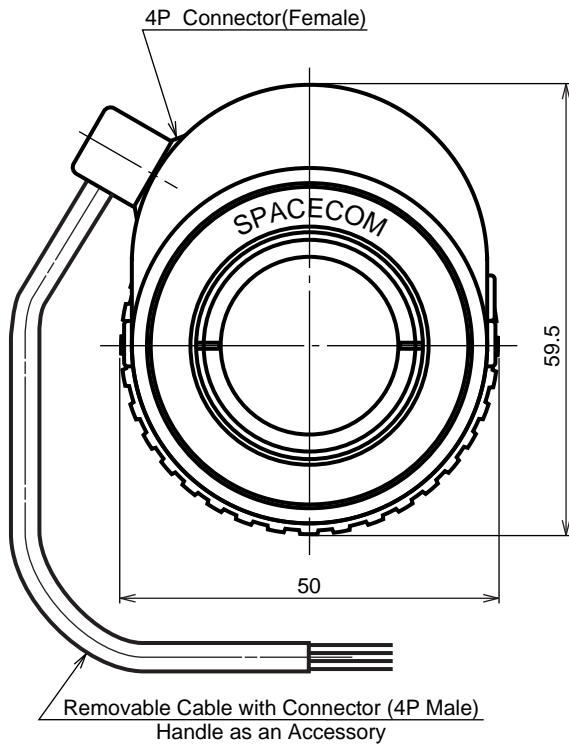
Focal Length : 3.5mm  
 Maximum Relative Aperture : 1:1.6  
 Iris : F1.6 - Approx. 360  
 (With ND Spot Filter)  
 Angular Field of View : 84.9 X68.9 deg.  
 Image Format : 6.4X4.8mm(D8mm)  
 Minimum Object Distance : 0.1m(From Front Vertex)  
 Object Dimensions at M.O.D. : 20.6X16.0cm  
 Optical Back Focal Distance : 11.45mm(In Air)

Flange Back : 17.526mm  
 Operation Voltage : Close to Open : Less than 3V  
 Open to Close : More than 0.5V  
 Operation : Focus : Manual  
 Iris : IG(Auto Close System)  
 Operation Temperature : -10 to +50  
 Mount : C-Mount(Adjustable Lens Position)  
 Front Thread : 43mm P0.75  
 Size, Weight : 59.5X50X37.5mm, Approx. 85g

## [COMPOSITION]

Lens .....1  
 Lens Cap .....1  
 Dust Cap .....1

## [DIMENSIONS]



Unit:mm

## [CIRCUIT DIAGRAM]

