

HF6DC

Image Size: $\frac{1}{2}$ $\frac{1}{3}$ $\frac{1}{4}$

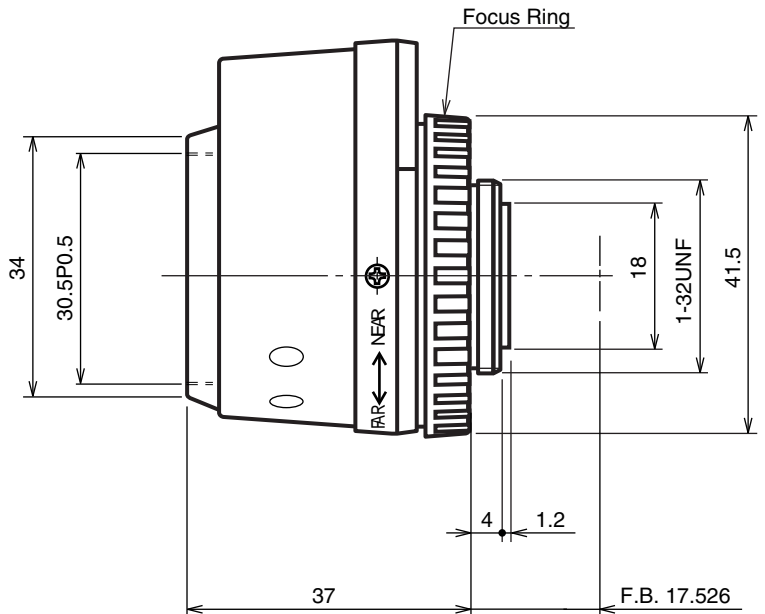
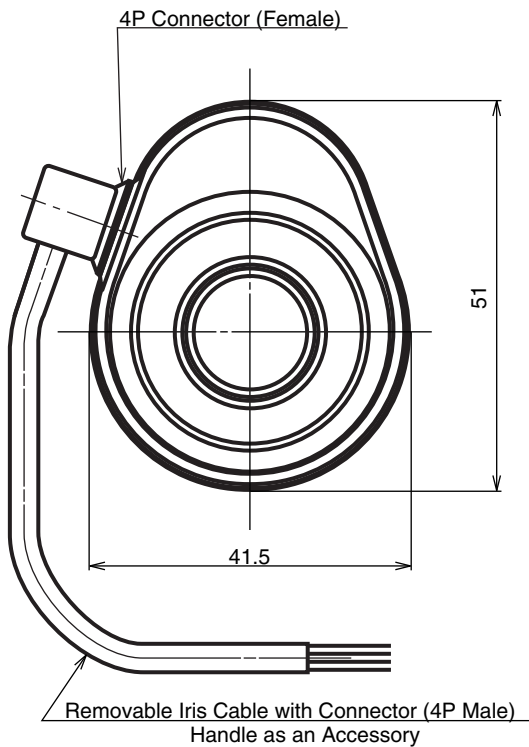
【SPECIFICATIONS】

Focal Length :	6mm	Flange Back :	17.526mm
Maximum Relative Aperture :	1:1.4	Operation Voltage :	Close Open : Less than 3V Open Close : More than 0.5V
Iris	F1.4 ~ Approx. 88 (With ND Spot Filter)	Operation :	Focus : Manual Iris : IG (Auto Close System)
Angular Field of View :	56.1° × 43.6°	Operation Temperature :	-10 ~ +50
Image Format :	6.4 × 4.8mm (8mm)	Mount :	C-Mount (Adjustable Lens Position)
Minimum Object Distance :	0.2m (From Front Vertex)	Front Thread :	30.5mm P0.5
Object Dimensions at M.O.D. :	23.2 × 17.4cm	Size, Weight :	51 × 41.5 × 37mm, Approx. 55 g
Optical Back Focal Distance :	13.93mm (In Air)		

【COMPOSITION】

- Lens 1
- Lens Cap 1
- Dust Cap 1

【DIMENSIONS】



Unit:mm

【CIRCUIT DIAGRAM】

