

# HZ848M

**【SPECIFICATIONS】 F1.0 Manual Zoom Lens**

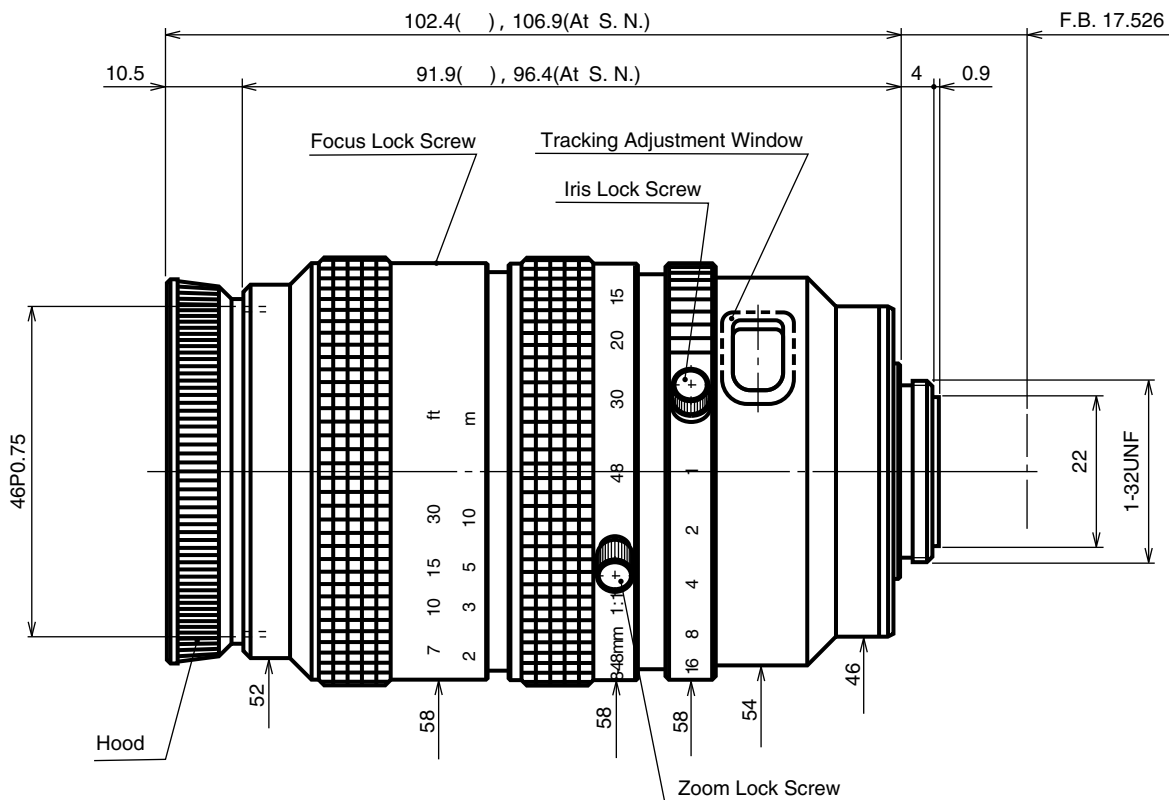
Image Size :  $\frac{1}{2}$   $\frac{1}{3}$   $\frac{1}{4}$

|                             |   |                               |  |
|-----------------------------|---|-------------------------------|--|
| Focal Length :              | 8 ~ 48mm  | Optical Back Focal Distance : | 14.56mm(In Air)                                  |
| Maximum Relative Aperture : | 1:1.0   | Flange Back :                 | 17.526mm   |
| Iris :                      | F1.0 ~ Close  | Operation :                   | Focus : Manual<br>Zoom : Manual<br>Iris : Manual |
| Zoom Ratio :                | 6X  | Operating Temperature :       | -10 ~ +50  |
| Angle of View :             | 43.6 × 33.4 deg. at 8mm<br>7.7 × 5.7 deg. at 48mm   | Mount :                       | C-Mount  |
| Image Size :                | 6.4 × 4.8mm ( 8mm )   | Filter Size :                 | 46mm P0.75                                       |
| Minimum Object Distance :   | 1.0m ( From Front Vertex )<br>Close-up photography as far as<br>Object Distance 0.5m is possible by<br>S.N.(Service Near)function of Focus.<br>(Partial eclipse may occur during<br>zooming in the S.N. range with using<br>1/2" camera.) | Size :                        | 58 × 102.4mm                                     |
|                             |   | Weight :                      | Approx 395 g                                     |

**【COMPOSITION】**

- Lens . . . . . 1
- Lens Cap . . . . . 1
- Dust Cap . . . . . 1

**【DIMENSIONS】**



Unit:mm