

# HZ848RAI

## [SPECIFICATIONS]

Image Size:  $\frac{1}{2}$   $\frac{1}{3}$   $\frac{1}{4}$

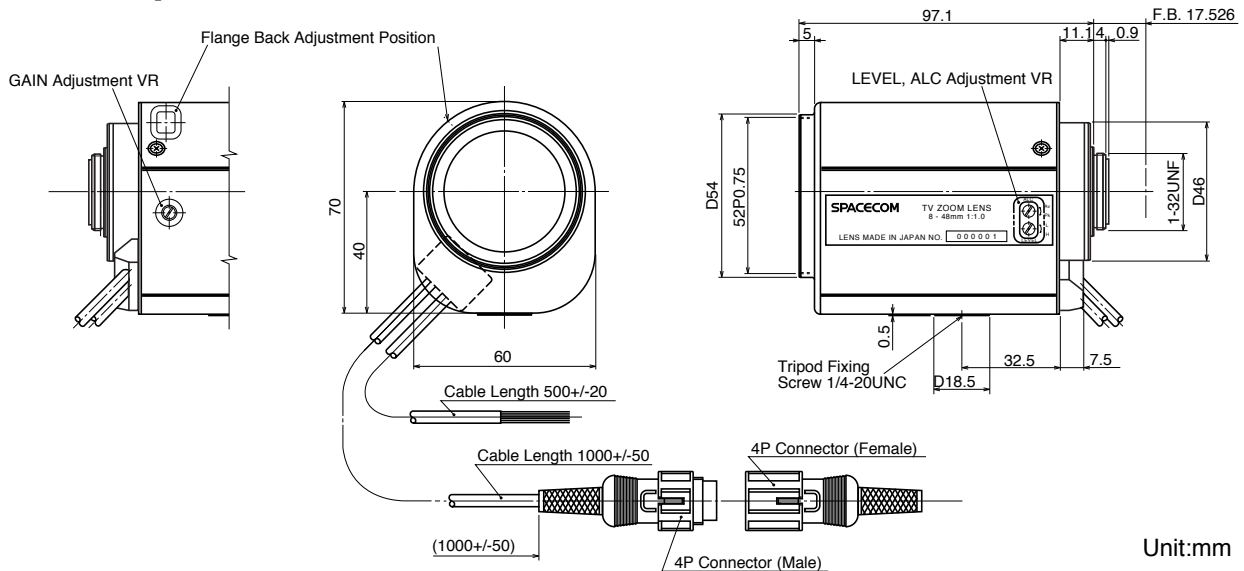
Focal Length :	8 - 48mm	Photometry Range :	Approx. 40% - 70% Variable to Vp-p
Maximum Relative Aperture :	1:1.0	Input Impedance :	High Impedance
Iris :	F1.0 - Approx. 1200 (With ND Spot Filter)	Operation : Zoom :	Motorized(DC+/-6.4V, Max40mA) Speed Approx. 6sec.
Zoom Ratio :	6X	Focus :	Motorized(DC+/-6.4V, Max40mA) Speed Approx. 7sec.
Sensitivity Adjustment :	0.5 - 1.0Vp-p(Image Signal)	Iris :	EE (DC+8.5 - 16V : Fixed Voltage, Max60mA) Speed Within 3sec.
Angular Field of View :	43.6 X33.4 deg. at 8mm 7.7 X 5.7 deg. at 48mm	EE Mechanism :	The built-in EE Amp amplifies the difference between the video signal from the camera and the preset Iris signal level. It causes the Iris to change size.
Image Format :	6.4X4.8mm(D8mm)	EE Accuracy :	With Input Video Signal 0.7Vp-p Within+/-15% of Mean Value
Minimum Object Distance :	1.0m(From Front Vertex)	Operation Temperature :	-10 to +50
Object Dimensions at M.O.D. :	74.3X54.9cm at 8mm 12.3X 9.3cm at 48mm	Mount :	C-Mount(Adjustable Lens Position)
Optical Back Focal Distance :	14.56mm(In Air)	Front Thread :	52mm P0.75
Flange Back :	17.526mm	Size, Weight :	70X60X97.1mm, Approx. 500g
Input Signal :	Composite Video Signal or Video Signal		

## [COMPOSITION]

Lens .....1  
 Lens Cap .....1  
 Dust Cap .....1

4-Conductor Connector(Female) .....1  
 (Any 4-conductor cable of external dia 6mm to be prepared separately.)

## [DIMENSIONS]



## [CIRCUIT DIAGRAM]

