

# JF16AI

Image Size:  $\frac{2}{3}$   $\frac{1}{2}$   $\frac{1}{3}$   $\frac{1}{4}$

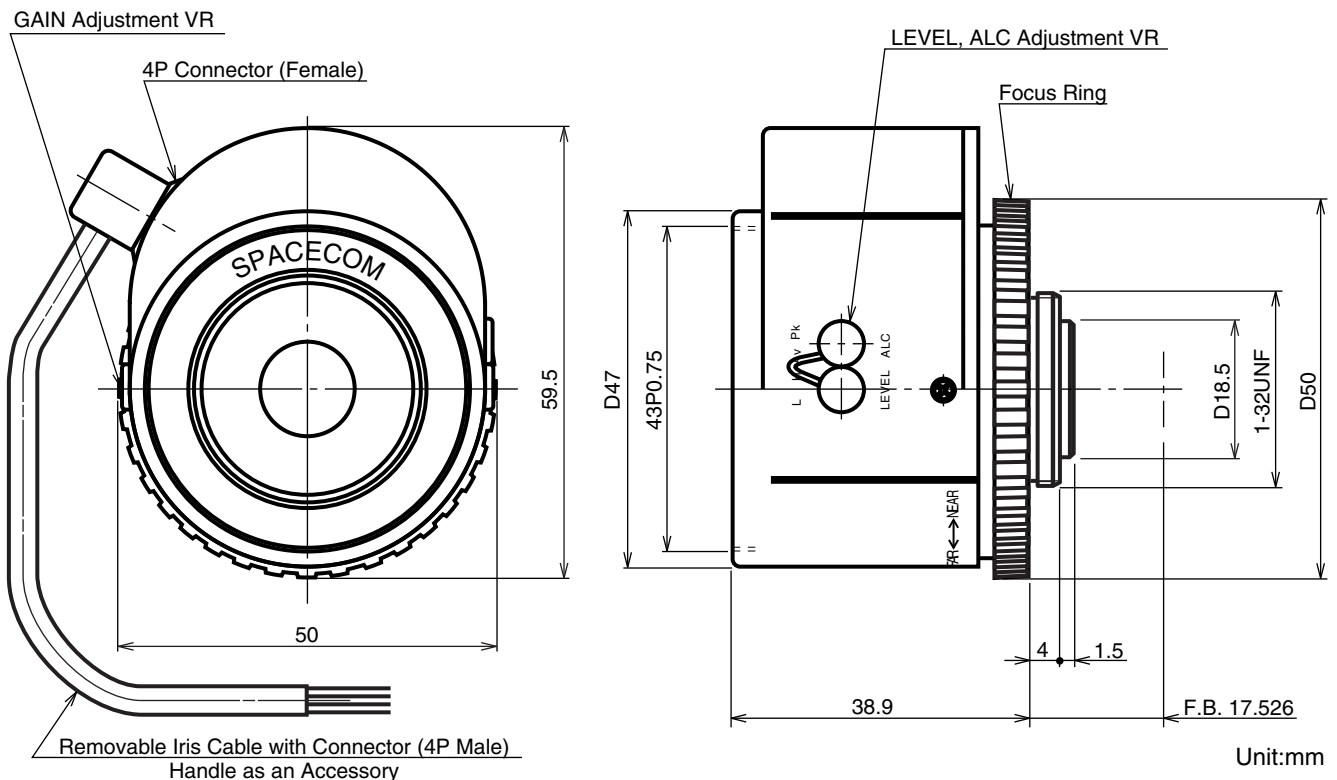
**[SPECIFICATIONS]**

Focal Length :	16mm	Input Impedance :	High Impedance
Maximum Relative Aperture :	1:1.4	Operation : Focus :	Manual
Iris :	F1.4 - Approx. 360 (With ND Spot Filter)	Iris :	EE (DC+8 to 16V : Fixed Voltage, Max40mA) Speed Within 4sec.(Auto Close System)
Sensitivity Adjustment :	0.5 - 1Vp-p(Image Signal)	EE Mechanism :	The built-in EE Amp amplifies the difference between the video signal from the camera and the preset Iris signal level. It causes the Iris to change size.
Angular Field of View :	30.7 X23.3 deg.	EE Accuracy :	With Input Video Signal 0.7Vp-p Within +/-10% of Mean Value
Image Format :	8.8X6.6mm(D11mm)	Operation Temperature :	-10 to +50
Minimum Object Distance :	0.4m(From Front Vertex)	Mount :	C-Mount(Adjustable Lens Position)
Object Dimensions at M.O.D. :	22.7X17.0cm	Front Thread :	43mm P0.75
Optical Back Focal Distance :	14.2mm(In Air)	Size, Weight :	59.5X50X38.9mm, Approx. 80g
Flange Back :	17.526mm		
Input Signal :	Composite Video Signal or Video Signal		
Photometry Range :	40% - 70% Variable to Vp-p		

**[COMPOSITION]**

- Lens .....1
- Lens Cap .....1
- Dust Cap .....1

**[DIMENSIONS]**



Unit:mm

**[CIRCUIT DIAGRAM]**

