

JHF35M

【SPECIFICATIONS】 3Megapixel-Lens

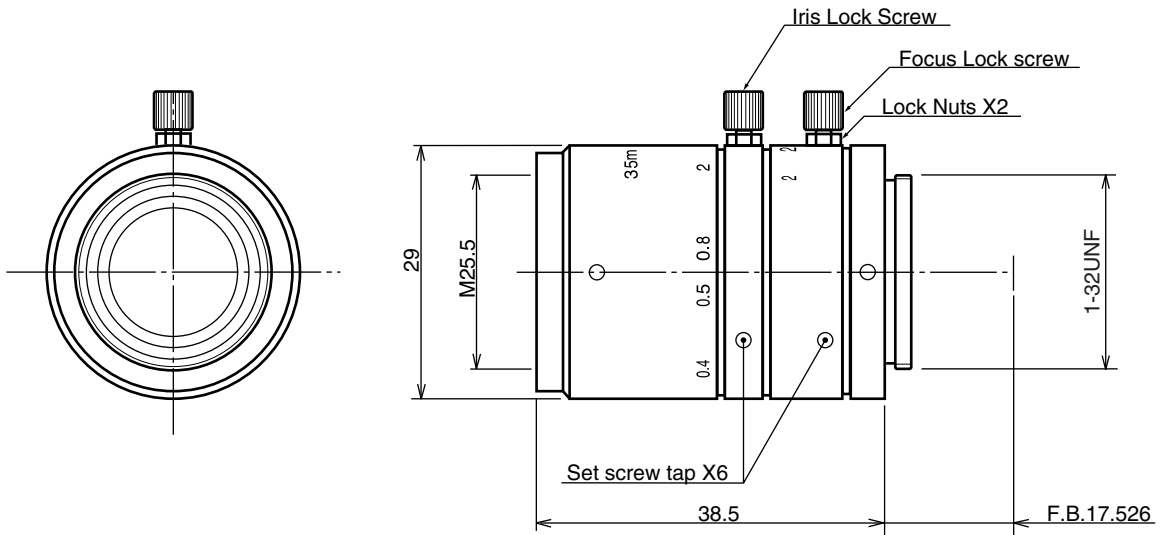
Image Size : $\frac{2}{3}$

Focal Length :	35mm	Optical Back Focal Distance :	18.06mm (In Air)
Maximum Relative Aperture :	1:2.0	Flange Back :	17.526mm
Iris :	F2.0 ~ 22	Operation :	Focus : Manual Iris : Manual
Angle of View :	14.3 × 10.5 deg	Operating Temperature :	-10 ~ +50
Image Size :	8.8 × 6.6mm (11mm)	Mount :	C-Mount
Minimum Object Distance :	0.25mm (From Front Vertex)	Filter Size :	25.5mm P0.5
Resolution :	3.6 μm (at center) 5 μm (at corner)	Size :	29 × 38.5mm
Distorsion :	-0.02%	Weight :	Approx. 55g

【COMPOSITION】

- Lens 1
- Lens Cap 1
- Dust Cap 1

【DIMENSIONS】



Unit:mm