

# JZ1169DC

## 【SPECIFICATIONS】

Image Size :  $\frac{2}{3}$   $\frac{1}{2}$   $\frac{1}{3}$   $\frac{1}{4}$

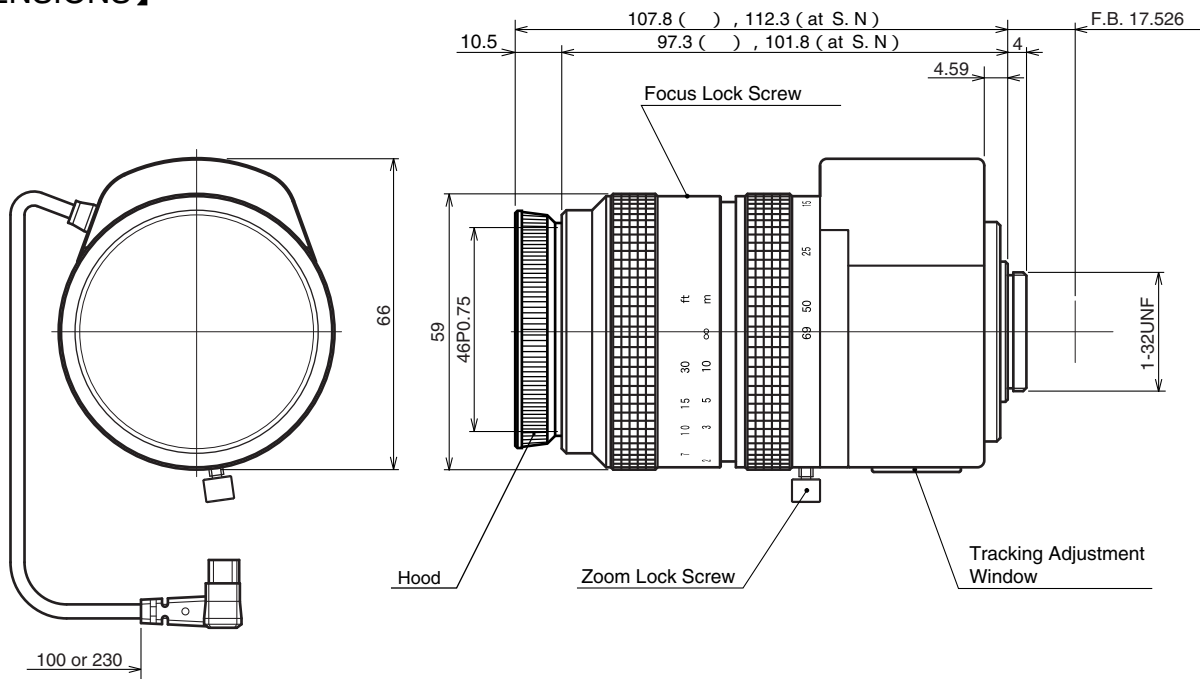
Focal Length : 11.5 ~ 69mm  
 Maximum Relative Aperture : 1:1.4  
 Iris : F1.4 ~ Approx .360  
 (With ND Spot Filter )  
 Zoom Ratio : 6X  
 Angle of View : 41.9 × 32.0 deg. at 11.5mm  
 7.3 × 5.5 deg. at 69mm  
 Image Size : 8.8 × 6.4mm ( 11mm )  
 Minimum Object Distance : 1.0m ( From Front Vertex )  
 Close-up photography as far as  
 Object Distance 0.5m is possible by  
 S.N.(Service Near)function of Focus.  
 (Partial eclipse may occur during  
 zooming in the S.N. range with using  
 2/3" camera.)

Optical Back Focal Distance : 17.93mm ( In Air )  
 Flange Back : 17.526mm  
 Operation : Focus : Manual  
 Zoom : Manual  
 Iris : IG(Auto Close System)  
 Close to Open : Less than 4.0V  
 Open to Close : More than 0.1V  
 Speed Within 4sec.  
 Operating Temperature : -10 ~ +50  
 Mount : C-Mount (Adjustable Lens Position )  
 Filter Size : 46mm P0.75  
 Size : 66 × 59 × 97.3mm,  
 Weight : Approx 415 g

## 【COMPOSITION】

- Lens . . . . . 1
- Lens Cap . . . . . 1
- Dust Cap . . . . . 1

## 【DIMENSIONS】



Unit:mm

## 【CIRCUIT DIAGRAM】

