

# CARINA

[SPECIFICATIONS] F1.2 ASPHERICAL LENS DAY&NIGHT LENS

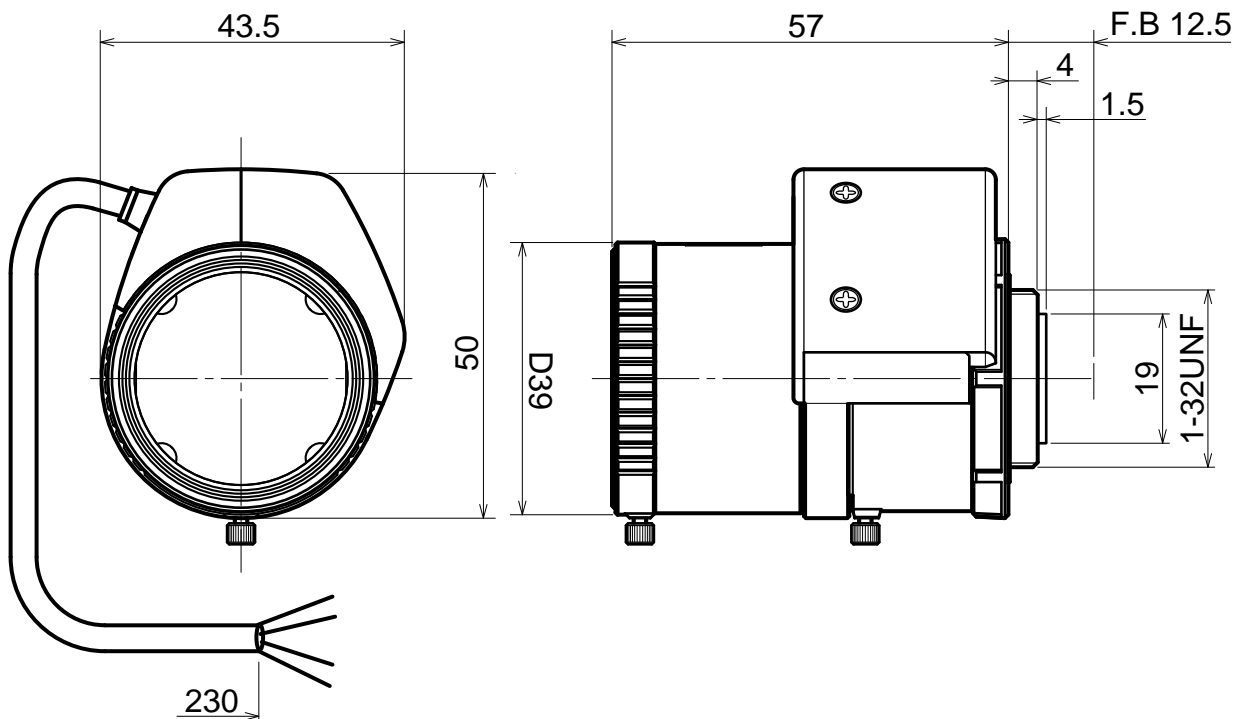
Image Size:  $\frac{1}{3}$   $\frac{1}{4}$

Focal Length :	2.7 - 12mm	Optical Back Focal Distance :	7.13mm(In Air)
Maximum Relative Aperture :	1:1.2	Flange Back:	12.5mm
Iris :	F1.2 - 360 (With ND Spot Filter)	Operation :	Focus : Manual Zoom : Manual Iris : EE(Auto Close System)
Angular Field of View :	97.4X72.4 deg.at 2.7mm 23.8X17.8 deg.at 12mm	EE Mechanism :	The built-in EE Amp amplifies the difference between the video signal from the camera and the preset Iris signal level. It causes the Iris to change size.
Image Format :	4.8X3.6mm(D6mm)	EE Accuracy :	With Input Video Signal 0.7Vp-p Within+/-10% of Mean Value
Minimum Object Distance :	0.3m(From Front Vertex)	Operation Temperature :	-10 to +50°C
Object Dimensions at M.O.D. :	89.8X67.4cm at 2.7mm 13.5X10.1cm at 12mm	Mount :	CS-Mount(Adjustable Lens Position)
Input Signal :	Composite Video Signal or Video Signal	Size, Weight :	D39X50X57mm, Approx. 72g
Photometry Range :	Approx. 40% - 70% Variable to Vp-p		
Input Impedance :	High Impedance		

[COMPOSITION]

- Lens .....1
- Lens Cap .....1
- Dust Cap .....1

[DIMENSIONS]



[CIRCUIT DIAGRAM]

Unit:mm

